

Smart Mobility ARChitecture

Hardware Specification



SMARC 2.1.1 Specification 2020-05-20



1 INTRODUCTION

1.1 Legal

© Copyright 2020, SGET Standardization Group for Embedded Technology e.V.

Note that some content of this SGET document may be legally protected by patent rights not held by SGET. SGET is not obligated to identify the parts of this specification that require licensing or other legitimization. The contents of this SGET document are advisory only. Users of SGET documents are responsible for protecting themselves against liability for infringement of patents. All content and information within this document are subject to change without prior notice.

SGET provides no warranty with regard to this SGET document or any other information contained herein and hereby expressly disclaims any implied warranties of merchantability or fitness for any particular purpose with regard to any of the foregoing. SGET assumes no liability for any damages incurred directly or indirectly from any technical or typographical errors or omissions contained herein or for discrepancies between the product and this SGET document. In no event shall SGET be liable for any incidental, consequential, special, or exemplary damages, whether based on tort, contract or otherwise, arising out of or in connection with this SGET document or any other information contained herein or the use thereof.

1.2 Revision History

Rev	Date	Originator	Notes
1.0	Dec. 20, 2012	S. Milnor	Initial release
1.1	May 29, 2014	S. Milnor	Change notes for V1.0 to V1.1 can be found in the V1.1 document
2.0	June 2, 2016	C. Eder	See section 9.1 'Changes V1.1 to V2.0' on page 94
2.1	March 23, 2020	C. Eder	See section 9.2 'Changes V2.0 to V2.1' on page 95
2.1.1	May 20, 2020	C. Eder	Removed wrong AC coupling comment in Table 8: Secondary HDMI Signals in section 3.5.1 HDMI

Table 1: Revision History

1.3 Table of Contents

1 Introduction	2		
1.1 Legal	2		
1.2 Revision History	2		
1.3 Table of Contents	3		
1.4 List of Figures	5		
1.5 List of Tables	6		
1.6 General Introduction	7		
1.7 Purpose of This Document	7		
1.8 Document and Standards References	8		
2 Module Overview	10		
2.1 Form Factor Feature Summary	10		
2.2 Module Interface Summary	11		
3 Module Interface Required and Optional Features	14		
3.1 Required and Optional Feature Table	14		
3.2 Feature Fill Order	16		
3.3 Signal Direction and Type Definitions	17		
3.4 Primary Display Interfaces	18		
3.4.1 LVDS	19		
3.4.2 eDP	21		
3.4.3 MIPI DSI Display	23		
3.4.4 LVDS / eDP / MIPI DSI Pin Sharing	24		
3.5 Secondary Display Interface	25		
3.5.1 HDMI	25		
3.5.2 DP++	26		
3.5.3 Secondary HDMI / DP++ Pin Sharing	27		
3.6 Third Display Interface	28		
3.6.1 DP++	28		
3.7 Camera Interfaces	29		
3.7.1 MIPI CSI	29		
3.7.2 3 rd and 4 th MIPI CSI on optional feature connector	31		
3.8 SDIO Card (4 bit) Interface	34		
3.9 SPI Interfaces	35		
3.9.1 SPI0	35		
3.9.2 SPI1	35		
3.9.3 QSPI	36		
3.9.4 eSPI	37		
3.9.5 eSPI/SPI1/QSPI Pin Sharing	38		
3.10 Audio	39		
3.10.1 I2S0	39		
3.10.2 I2S2	40		
3.10.3 HDA	40		
3.10.4 I2S/HDA Pin Sharing	41		
3.11 I2C Interfaces	42		
3.12 Asynchronous Serial Ports	43		
3.13 CAN Bus	44		
3.14 USB Interfaces	45		
3.14.1 USB Signal Assignments	45		
3.14.2 USB Signals	46		
3.14.3 USB[0:5]_EN_OC# Discussion	48		
3.15 PCI Express	49		
3.15.1 PCI Express Link Width	51		
3.16 SERDES	52		
3.16.1 PCI Express SERDES Pin Sharing	53		
3.17 SATA	54		
3.18 Ethernet	55		
3.19 Watchdog	57		
3.20 GPIO	58		
3.20.1 Alternative GPIO Pin Usage	59		
3.20.2 GPIO Pin Sharing	59		
3.21 Management Pins	60		
3.22 Boot Select	62		
3.23 Power and GND	64		
3.24 JTAG	65		
3.25 Module Terminations	66		
3.25.1 General	66		
4 Module Pin-Out Map	67		
4.1 Module Pin-Out	67		
5 Mechanical Definitions	73		
5.1 Carrier Connector	73		
5.2 Connector Pin Numbering Convention	74		

5.3	Module Outline – 82x50mm Module	75	6.5	Power Sequencing	87
5.4	Module Outline – 82x80mm Module	76	6.5.1	Power up sequence scenario 1	87
5.4.1	RF Connector Placement	77	6.5.2	Power up sequence scenario 2	88
5.5	Module 'Z' Height Considerations	78	6.5.3	Power up sequence scenario 3	89
5.6	Carrier Board Connector PCB Footprint	79	6.5.4	Power up sequence scenario 4	90
5.7	GND Connection Mounting Holes	80	7	MODULE AND CARRIER SERIAL EEPROMS	91
5.8	Carrier Board Standoffs	80	8	Appendix A: LVDS LCD Color Mappings	92
5.9	Thermal Attachment Points	80	8.1	LVDS LCD Color Mappings	92
5.10	Heat Spreader – 82mm x 50mm Module	81	8.1.1	Single Channel Color Mapping	93
5.11	Heat Spreader – 82mm x 80mm Module	84	9	Appendix B: Document Changes	94
6	Module Power	85	9.1	Changes V1.1 to V2.0	94
6.1	Input Voltage / Main Power Rail	85	9.2	Changes V2.0 to V2.1	95
6.2	No Separate Standby Voltage	85	9.3	Pinout Comparison	96
6.3	RTC Voltage Rail	85	9.4	Signal Name Index	104
6.4	Power Rail Definition	86			

1.4 List of Figures

Figure 1: MIPI CSI feature connector placement (82x50mm Module) _	33	Figure 12: Carrier Board Connector PCB Footprint _____	79
Figure 2: MIPI CSI feature connector placement (82x80mm Module) _	33	Figure 13: Heat Spreader Isometric View _____	81
Figure 3: JTAG Connector _____	65	Figure 14: Heat Spreader Plan View _____	82
Figure 4: 82x50mm Module Outline _____	75	Figure 15: Heat Sink Attachment Option _____	83
Figure 5: Module Edge Finger Keep Out Area (82x50mm Module) ___	76	Figure 16: Heat Spreader - 82mm x 80mm Module _____	84
Figure 6: 82x80mm Module Outline _____	76	Figure 17: Power sequence diagram sleep and power button _____	87
Figure 7: Module Edge Finger Keep Out Area (82x80mm Module) ___	76	Figure 18: Power sequence diagram sleep, no power button _____	88
Figure 8: u.FL connector _____	77	Figure 19: Power sequence diagram power button _____	89
Figure 9: RF connector placement (82x80mm Module) _____	77	Figure 20: Power sequence diagram, no power button _____	90
Figure 10: RF connector placement (82x50mm Module) _____	77		
Figure 11: Module Minimum 'Z' Height _____	78		

1.5 List of Tables

Table 1: Revision History _____	2	Table 33: PCIe Clock and Reset Assignments _____	51
Table 2: Required and Optional Features _____	16	Table 34: SERDES Signals _____	52
Table 3: Signal Direction and Type Definitions _____	17	Table 35: PCIe Lane C&D / SERDES Pin Sharing _____	53
Table 4: LVDS Signals _____	20	Table 36: SATA Signals _____	54
Table 5: eDP Signals _____	22	Table 37: Ethernet Signals GBE0 and GBE1 _____	56
Table 6: MIPI-DSI Signals _____	23	Table 38: Watchdog Signals _____	57
Table 7: LVDS / eDP / MIPI DSI Pin Sharing _____	24	Table 39: GPIO Signals _____	58
Table 8: Secondary HDMI Signals _____	25	Table 40: Alternative Use of GPIO Signals _____	59
Table 9: DP++ Signals _____	26	Table 41: GPIO Pin Sharing _____	59
Table 10: Secondary HDMI / DP++ Pin Sharing _____	27	Table 42: Management Signals _____	61
Table 11: Third Display Interface DP++ Signals _____	28	Table 43: Boot Select Signals _____	62
Table 12: MIPI-CSI Signals _____	30	Table 44: Control of Boot Sources _____	63
Table 13: MIPI-CSI Feature Connector Signals for 3 rd Camera _____	31	Table 45: Power Signals _____	64
Table 14: MIPI-CSI Feature Connector Signals for 4 th Camera _____	32	Table 46: JTAG Signals _____	65
Table 15: SDIO Signals _____	34	Table 47: Module Pin-Out _____	72
Table 16: SPI0 Signals _____	35	Table 48: Carrier Connectors _____	73
Table 17: SPI1 Signals _____	35	Table 49: Heat Spreader Hole Reference _____	82
Table 18: QSPI Signals _____	36	Table 50: Power Rail Definitions _____	86
Table 19: eSPI Signals _____	38	Table 51: LVDS Color Mapping _____	93
Table 20: eSPI/SPI1 Pin Sharing _____	38		
Table 21: I2S0 Signals _____	39		
Table 22: I2S2 Signals _____	40		
Table 23: HDA Signals _____	40		
Table 24: I2S/HDA Pin Sharing _____	41		
Table 25: I2C Signals _____	42		
Table 26: General Purpose I2C Signals _____	42		
Table 27: Serial Port Signals _____	43		
Table 28: CAN Bus Signals _____	44		
Table 29: USB Signal Assignments _____	45		
Table 30: USB Signals _____	47		
Table 31: PCI Express Signals _____	50		
Table 32: PCIe Link Configurations _____	51		

1.6 General Introduction

The SMARC (“Smart Mobility ARChitecture”) is a versatile small form factor computer Module definition targeting applications that require low power, low costs, and high performance. The Modules will typically use ARM SOCs similar or the same as those used in many familiar devices such as tablet computers and smart phones. Alternative low power SOCs and CPUs, such as tablet oriented x86 devices and other RISC CPUs *may* be used as well. The Module power envelope is typically under 6W although designs up to about 15W are possible.

Two Module sizes are defined: 82mm x 50mm and 82mm x 80mm. The Module PCBs have 314 edge fingers that mate with a low profile 314 pin 0.5mm pitch right angle connector (the connector is sometimes identified as a 321 pin connector, but 7 pins are lost to the key).

The Modules are used as building blocks for portable and stationary embedded systems. The core CPU and support circuits, including DRAM, boot flash, power sequencing, CPU power supplies, Gigabit Ethernet and dual channel LVDS display transmitter are concentrated on the Module. The Modules are used with application specific Carrier Boards that implement other features such as audio CODECs, touch controllers, wireless devices, etc. The modular approach allows scalability, fast time to market and upgradability while still maintaining low costs, low power and small physical size.

1.7 Purpose of This Document

This document defines the Module mechanical, electrical, signal and thermal parameters at a level of detail sufficient to provide a framework for SMARC Module and Carrier Board designs.

1.8 Document and Standards References

- **CAN** (“Controller Area Network”) Bus Standards
ISO 11898-1:2015 Road vehicles - Controller area network (CAN) - Part 1: Data link layer and physical signaling, (<https://www.iso.org>)
ISO 11992-1:2019 Road vehicles - Interchange of digital information on electrical connections between towing and towed vehicles - Part 1: Physical and data-link layers (<https://www.iso.org>)
SAE J2411: Feb 14, 2000, Single Wire CAN Network for Vehicle Applications (<https://www.sae.org>)
- **MIPI CSI-2** (Camera Serial Interface version 2) The MIPI CSI-2 standard is owned and maintained by the MIPI Alliance (“Mobile Industry Processor Alliance”) (www.mipi.org)
- **MIPI CSI-3** (Camera Serial Interface version 3) The MIPI CSI-3 standard is owned and maintained by the MIPI Alliance (“Mobile Industry Processor Alliance”) (www.mipi.org)
- **COM Express** – the formal title for the COM Express specification is “PICMG® COM.0 COM Express Module Base Specification”, Revision 3.0, March 31, 2017. This standard is owned and maintained by the PICMG (“PCI Industrial Computer Manufacturer’s Group”) (www.picmg.org)
- **DisplayPort and Embedded DisplayPort** These standards are owned and maintained by VESA (“Video Electronics Standards Association”) (www.vesa.org)
- **MIPI DSI** (Display Serial Interface) The DSI standard is owned and maintained by the MIPI Alliance (“Mobile Industry Processor Alliance”) (www.mipi.org)
- **eMMC** (“Embedded Multi-Media Card”) The eMMC electrical standard is defined by JEDEC JESD84-B51A and the mechanical standard by JESD84-C44 (www.jedec.org)
- **eSPI** (“Enhanced Serial Peripheral Interface”) The eSPI Interface Base Specification is defined by Intel (<https://www.intel.com>)
- **Fieldbus** - this term refers to a number of network protocols used for real – time industrial control. Refer to the following web sites: <https://www.profibus.com/download/> and www.can-cia.org
- **GBE MDI** (“Gigabit Ethernet Medium Dependent Interface”) This is defined by IEEE 802.3. The 1000Base-T operation over copper twisted pair cabling is defined by IEEE 802.3ab (www.ieee.org)
- **HDA (HD Audio)**, High Definition Audio Specification, Intel, Revision 1.0a, June 17, 2010 (<http://www.intel.com>)
- **HDMI Specification**, Version 2.1, November 28, 2017 (www.hdmi.org)
- **I2C Specification**, Version 6.0, April 4th 2014, Philips Semiconductor (now NXP) (www.nxp.com)
- **I2S Bus Specification**, Feb. 1986 and Revised June 5, 1996, Philips Semiconductor (now NXP) (www.nxp.com)
- **IEEE1588 - 2008**. IEEE Standard for a Precision Clock Synchronization Protocol for Networked Measurement and Control Systems (<http://standards.ieee.org>)
- **JTAG** (“Joint Test Action Group”) This is defined by IEEE 1149.1-2001 - IEEE Standard Test Access Port and Boundary Scan Architecture (<https://ieeexplore.ieee.org>)
- **MXM3** Graphics Module Mobile PCI Express Module Electromechanical Specification, Version 3.1, NVidia Corporation
- **PICMG® EEPROM** Embedded EEPROM Specification, Rev. 1.0, August 2010 (www.picmg.org)
- **PCI Express** Specifications (www.pci-sig.org)
- **Serial ATA** Revision 3.1, July 18, 2011, Gold Revision, © Serial ATA International Organization (www.sata-io.org)

- **SD Specifications** Part 1 Physical Layer Simplified Specification, Version 6.00, Aug 29, 2018, SD Group and SD Card Association (“Secure Digital”) (www.sdcard.org)
- **SM Bus** – “System Management Bus” Specification Version 3.1, March 19, 2018, System Management Interface Forum, Inc. (<http://www.smbus.org>)
- **SPI Bus** – “Serial Peripheral Interface” – de-facto serial interface standard defined by Motorola. A good description may be found on Wikipedia (http://en.wikipedia.org/wiki/Serial_Peripheral_Interface_Bus)
- **USB** Specifications (www.usb.org)

2 MODULE OVERVIEW

2.1 Form Factor Feature Summary

- Small form factor, low profile and low power edge-finger card format Module with pin-out optimized for ARM and x86 architecture processors; may also be used with low power, tablet oriented X86 and RISC devices.
- Two Module sizes:
 - 82mm x 50mm
 - 82mm x 80mm
- Carrier Board connector: 314 pin 0.5mm pitch R/A memory socket style connector
 - Originally defined for use with MXM3 graphics cards
 - SMARC Module pin-out is separate from and not related to MXM3 pin-out
 - Multiple sources for Carrier Board connector
 - Low cost
 - Low profile:
 - As low as 1.5mm (Carrier Board top to Module bottom)
 - Other stack height options available, including 2.7mm, 5mm, 8mm
 - Overall assembly height (Carrier Board top to tallest Module component) is less than 6mm
 - Excellent signal integrity – suitable for 2.5 GHz / 5 GHz / 8 GHz data rate signals such as PCIe Gen 1, Gen 2 and Gen 3.
 - Robust, vibration resistant connector
- Module input voltage range: 3.0V to 5.25V
 - Allows operation from 3.6V nominal Lithium-ion battery packs
 - Allows operation from 3.3V fixed DC supply
 - Allows operation from 5.0V fixed DC supply
 - Single supply (no separate standby voltage)
 - Module power pins allow 5A max
- Low power designs
 - Fanless
 - Passive cooling
 - Low standby power
 - Design for battery operation
 - 1.8V default I/O voltage

2.2 Module Interface Summary

The interfaces listed below are available per the Module pin definition. Some features are optional and availability is Module design dependent.

- Display Interfaces
 - Single or dual channel LVDS LCD 18 or 24 bit
 - Panel support signals (I2C, Power Enables, PWM)
 - Support for dual channel implementations
 - Multiplexing with eDP and MIPI DSI
 - HDMI port multiplexed with DP++ full featured implementation
 - Additional full featured DisplayPort++
- Camera Interfaces
 - Serial configuration: MIPI CSI (2 lane) + MIPI CSI (2 or 4 lane)
 - Two additional MIPI CSI interfaces available on optional connectors
- SDIO Interface
 - 4 bit SD card / SDIO interface with support lines
- SPI Interfaces
 - Two SPI interfaces
 - One maybe implemented as eSPI (x86) or QSPI (ARM)
- Audio Interfaces
 - One I2S interface
 - One HDA interfaced multiplexed with second I2S interface
- I2C Interfaces
 - Five I2C interfaces
 - Power Management
 - General Purpose
 - 2x Camera Interfaces
 - LCD Display ID
 - HDMI interface also has private I2C interface for HDMI use
- Asynchronous Serial Port Interfaces
 - Four asynchronous serial ports
 - Two supporting 2 wire handshake (RXD, TXD, RTS#, CTS#)
 - Two supporting data only (RXD, TXD)
 - Logic level interface

- CAN Bus Interfaces
 - Two CAN bus interfaces
 - Logic level signals from Module based CAN bus protocol controllers
 - RXD, TXD only
- USB Interfaces
 - Six ports total
 - Two sets of super speed signals for support of two USB 3.2 ports
 - Two ports supporting USB OTG (USB client or host)
 - USB support signals (VBUS enable / Over-current detects, OTG support signals)
- PCI Express
 - Four PCIe lanes
 - PCIe Gen1, Gen 2 or Gen 3 (Module dependent)
 - Three reference clock pairs
 - Three PCIe reset signals
 - Common PCIe wake signal (PCIE_WAKE#)
 - Two PCIE_CKREQ# signals for PCIE_A and PCIE_B
- SERDES
 - Alternative use of PCIE_C and PCIE_D as SERDES interface
 - One MDIO interface
- SATA Interface
 - One SATA interface
 - Gen 1, 2 or 3 (Module dependent)
- Gigabit Ethernet
 - Two analog GBE MDI interface
 - No magnetics on Module
 - LED support signals
 - CTREF (center tap reference voltage) for Carrier magnetics (if required by the Module GBE PHY)
 - Individual IEEE1588 trigger signal for each Ethernet interface to allow for enhanced real time applications. This utilizes a software definable pin (SDP) from the Ethernet controller.
- Wireless
 - Optional on module wireless functionality with designated area for antenna connections
- Watchdog Timer Interface
- General Purpose I/O
 - 14x GPIO signals

- Specific alternate functions are assigned to some GPIOs
 - PWM / Tachometer capability
 - Camera support
 - HD Audio reset
- System and Power Management Signals
 - Reset out and Reset in
 - Power button in
 - Power source status
 - Module power state status
 - System management pins
 - Battery and battery charger management pins
 - Carrier Power On control
- Boot Source Select
 - Three pins to allow selection from Carrier Board
 - Select options to include boot from one of the following:
 - Module SPI
 - Module eMMC Flash
 - Module NAND / NOR Flash (vendor defined)
 - Module Remote Boot (Network or Serial Port, vendor defined)
 - Carrier SPI
 - Carrier SD Card
 - Carrier SATA
- JTAG functions for CPU debug and test are optionally implemented on separate small form factor connector

3 MODULE INTERFACE REQUIRED AND OPTIONAL FEATURES

3.1 Required and Optional Feature Table

Required and optional features for an SMARC Module are summarized in the table below.

- “Shall”** indicates a mandatory requirement
- “Should”** indicates a recommended but not mandatory requirement
- “May”** indicates a lesser used optional interface
- “Alternate”** indicates an optional interface, implemented on pins shared with another use

Feature	Sub Feature	Requirement	Notes
LVDS LCD	18 bit single channel	Should	Default Display (serial LVDS)
	24 bit single channel – 18 bit compatible	Should	
	24 bit single channel – standard color map	May	
	24 bit dual channel – 18 bit compatible	May	
	24 bit dual channel – standard color map	May	
HDMI	HDMI display interface	Should	
DP on HDMI Pins		May	
DP++	DisplayPort++	May	
Camera	CSI0 – 2 lane	May	
	CSI1 – 2 lane implementation	Should	
	CSI1 – 4 lane implementation	Should	
SDIO	SDIO (4 bit, for SD cards)	Should	May be Carrier boot device
SPI	SPI0	Should	May be Carrier boot device
	eSPI	Should	May be Carrier boot device
Audio	I2S0	Should	
	HDA	Should	
I2C	Power Management	Shall	
	General Purpose	Shall	
	Camera	Should	
	LCD Display I/D	Should	
Serial Ports	SER0 (4 wire)	Shall	

	SER1 (2 wire)	Shall	
	SER2 (4 wire)	Should	
	SER3 (2 wire)	Should	
CAN Bus	CAN0	May	
	CAN1	May	
USB	USB0 - as USB 2.0 Client	Should	USB0 shall be implemented
	USB0 – as OTG	May	
	USB0 - as USB 2.0 Host	May	
	USB1 – as USB 2.0 Host	Shall	
	USB[2:5] - as USB 2.0 Host	May	
	USBss[2:3]	May	Fill order: first #2 then #3
	USB3 - as USB 3.2 Client / OTG	May	
PCIe	PCIE_A (x1 Gen 1 Root)	Should	
	PCIE_B (x1 Gen 1 Root)	May	
	PCIE_C (x1 Gen 1 Root)	May	
	PCIE_D (x1 Gen 1 Root)	May	
	PCIE_ Target operation	May	
	PCIE Gen 2 and Gen 3 operation	May	
SERDES	Alternative use of PCIE_C and/or PCIE_D	May	
SATA	SATA Gen 1	Should	May be Carrier boot device
	SATA Gen 2 operation	May	
	SATA Gen 3 operation	May	
GBE	GBE0	Should	
	GBE1	May	
	IEEE 1588 Trigger Signals (GBE[0:1]_SDP)	May	
Watchdog	WDT Out	Should	
GPIO	GPIO[0:11]	Shall	
	GPIO[12:13]	Should	
	GPIO[0:11] interrupt capability	Shall	
	GPIO[12:13] interrupt capability	Should	
	GPIO Camera Support (<i>only when camera is supported</i>)	Shall	As appropriate for Module Camera implementation
	GPIO5 PWM capability	Should	

	GPIO6 Tachin capability	Should	
Management	System and power management features	Shall	See section 3.21'Management Pins' for details
	CARRIER_PWR_ON VIN_PWR_BAD#		
	All other signals	Should	
Boot Select		Shall	
Force Recov		Should	See section 3.22 'Boot Select' for details
JTAG	JTAG connector on Module	May	Some vendors prefer test point access
RTC		Should	

Table 2: Required and Optional Features

3.2 Feature Fill Order

Features **shall** be filled in a low – to – high order, based on the signal group names. For example, there are six possible USB ports, designated with signal prefixes USB0 to USB5. If a Module design implements only two USB, those would be USB0 and USB1. The PCIe links are designated PCIE_A, PCIE_B, PCIE_C and PCIE_D. If only one is implemented, it would be PCIE_A.

USB 3.2 port number 2 is the first in the fill order as the counting of USB 3.2 lines starts with number 2.

USB Super Speed operation is only defined for SMARC USB ports USB2 and USB3. Therefore, USB2 is the first in the fill order for USB Super Speed (aka USB 3.2) implementations on SMARC.

Important exception, introduced with SMARC 2.1: The fill order for MIPI CSI is CSI1 (4 lane) first, then CSI0 (2 lane).

3.3 Signal Direction and Type Definitions

Term	Description
I	Input to the Module
O	Output from the Module
I/O	Bi-directional input/output
OD	Open drain
PU	PU (pull-up) resistor
PD	PD (pull-down) resistor
CMOS	Logic input or output
GBE MDI	Differential analog signaling for gigabit media dependent interface
DP	Low voltage differential signal for DisplayPort interface
D-PHY	Low voltage differential signal for MIPI CSI-2 cameras and DSI displays
M-PHY	Low voltage differential signal for MIPI CSI-3 cameras
LVDS	Low voltage differential signal for LCD displays
PCIE	Low voltage differential signal for PCIe
SATA	Low voltage differential signal for SATA
TMDS HDMI	Transition minimized differential signal for HDMI displays
USB	DC coupled differential signaling for traditional (non-Superspeed) USB signals
USB SS	Differential signal for SuperSpeed USB signals
USB VBUS 5V	5V tolerant input for USB VBUS detection
VDD_IN	Main power source from Carrier to Module
3.3V	3.3V power domain: Active while CARRIER_PWRON is high and CARRIER_SBY# is NOT active (i.e. both signals are high)
1.8V	1.8V power domain: Active while CARRIER_PWRON is high and CARRIER_SBY# is NOT active (i.e. both signals are high)
3.3Vsb	3.3V standby power domain: Active while CARRIER_PWRON is high (regardless of CARRIER_SBY#)
1.8Vsb	1.8V standby power domain: Active while CARRIER_PWRON is high (regardless of CARRIER_SBY#)
Sleep	Module is in its lowest power state
Runtime	Module is full on. CARRIER_PWRON is high and CARRIER_SBY# is NOT active (i.e. both signals are high)
Standby	Module is in Standby State or higher

Table 3: Signal Direction and Type Definitions

3.4 Primary Display Interfaces

Pins used for LVDS LCD support **may** alternatively be used to support up to two Embedded DisplayPorts. The AC coupling required for eDP operation **shall** be done off-Module.

Pins used for LVDS LCD support **may** alternatively be used to support a MIPI DSI (Display Serial Interface). There is no AC coupling required for DSI operation.

3.4.1 LVDS

Single channel, dual channel or two single channel LVDS display panel interfaces are defined. The implementation of two single channel LVDS display interfaces is not expected to be common but is defined as an option for Module vendors. The LVDS interfaces support 18 and 24 bit display implementations.

In a Module implementation with two single LVDS channels, the panel EDID proms would be in conflict and measures need to be taken to avoid this. One possible solution is that the 2nd LVDS EDID prom could be read over the I2C_GP pin pair rather than the I2C_LCD pin pair.

The Module **should** implement an 18 / 24 bit LVDS output stream for the Primary display.

All 18 bit TFT panels use the same LVDS color mapping. Only 3 data pairs (LVDS[0:1]_[0:2] +/-) and the clock pair are needed to drive an 18 bit TFT panel.

Unfortunately, there are two 24 bit LVDS color mappings in the industry:

- Most significant color bits on the 4th LVDS data pair (LVDS[0:1]_[3] +/- here). This is the more common 24 bit mapping. It is not compatible with the 18 bit LVDS color mapping.
- Least significant color bits on the 4th LVDS data pair. This is compatible with the 18 LVDS color mapping.

Modules that implement LVDS **shall** implement single channel 18 bit LVDS; **should** implement a 24 bit “18 bit compatible” LVDS mapping and **may** implement the “MS bit on 4th LVDS pair” mapping. The second LVDS channel **may** be implemented.

Details on LVDS color mappings are provided in **Section 8 Appendix A: LVDS LCD Color Mappings**.

Signal Name	Pin #	Description	I/O Type	I/O Level	Power Domain	PU / PD	Comments
LVDS0_0+ LVDS0_0- LVDS0_1+ LVDS0_1- LVDS0_2+ LVDS0_2- LVDS0_3+ LVDS0_3-	S125 S126 S128 S129 S131 S132 S137 S138	Primary LVDS Channel Differential Pair Data Lines	O LVDS		Runtime		100 ohm differential termination across the differential pairs at the endpoint of the signal path, usually on the display assembly.
LVDS0_CK+ LVDS0_CK-	S134 S135	Primary LVDS Channel Differential Pair Clock Lines	O LVDS		Runtime		100 ohm differential termination across the differential pair at the endpoint of the signal path, usually on the display assembly.
LCD0_VDD_EN	S133	Primary LVDS Channel Power Enable	O CMOS	1.8V	Runtime		Active high

Signal Name	Pin #	Description	I/O Type	I/O Level	Power Domain	PU / PD	Comments
LCD0_BKLT_EN	S127	Primary LVDS Channel Backlight Enable	O CMOS	1.8V	Runtime		Active high
LCD0_BKLT_PWM	S141	Primary LVDS Channel Brightness Control	O CMOS	1.8V	Runtime		Through Pulse Width Modulation (PWM)
LVDS1_0+ LVDS1_0- LVDS1_1+ LVDS1_1- LVDS1_2+ LVDS1_2- LVDS1_3+ LVDS1_3-	S111 S112 S114 S115 S117 S118 S120 S121	Secondary LVDS Channel Differential Pair Data Lines	O LVDS		Runtime		100 ohm differential termination across the differential pairs at the endpoint of the signal path, usually on the display assembly.
LVDS1_CK+ LVDS1_CK-	S108 S109	Secondary LVDS Channel Differential Pair Clock Lines	O LVDS		Runtime		100 ohm differential termination across the differential pair at the endpoint of the signal path, usually on the display assembly.
LCD1_VDD_EN	S116	Secondary LVDS Channel Power Enable	O CMOS	1.8V	Runtime		Active high Only in use, when two separate LVDS ports are supported, please check Module user manual
LCD1_BKLT_EN	S107	Secondary LVDS Channel Backlight Enable	O CMOS	1.8V	Runtime		Active high Only in use, when two separate LVDS ports are supported, please check Module user manual
LCD1_BKLT_PWM	S122	Secondary LVDS Channel Brightness Control	O CMOS	1.8V	Runtime		Through pulse width modulation (PWM) only in use, when two separate LVDS ports are supported, please check Module user manual
I2C_LCD_DAT	S140	DDC Data Line Used for Flat Panel Detection and Control	I/O OD CMOS	1.8V	Runtime	PU 2k2	Possible conflict if two LVDS panels are used
I2C_LCD_CK	S139	DDC Clock Line Used for Flat Panel Detection and Control	I/O OD CMOS	1.8V	Runtime	PU 2k2	Possible conflict if two LVDS panels are used

Table 4: LVDS Signals

3.4.2 eDP

Signal Name	Pin #	Description	I/O Type	I/O Level	Power Domain	PU / PD	Comments
eDP0_TX0+ eDP0_TX0- eDP0_TX1+ eDP0_TX1- eDP0_TX2+ eDP0_TX2- eDP0_TX3+ eDP0_TX3-	S125 S126 S128 S129 S131 S132 S137 S138	Primary 4-Lane eDP Differential Pair Data Lines	O DP		Runtime		AC coupled off Module 100 nF DC blocking capacitors shall be placed on the Carrier.
eDP0_AUX+ eDP0_AUX-	S134 S135	Primary Bidirectional Channel used for Link Management and Device Control	I/O DP		Runtime		AC coupled off Module
LCD0_VDD_EN	S133	Primary Panel Power Enable	O CMOS	1.8V	Runtime		Active high
LCD0_BKLT_EN	S127	Primary Panel Backlight Enable	O CMOS	1.8V	Runtime		Active high
LCD0_BKLT_PWM	S141	Primary Panel Brightness Control	O CMOS	1.8V	Runtime		Through pulse width modulation (PWM)
eDP0_HPD	S144	Detection of Hot Plug / Unplug of Primary eDP Display and Notification of the Link Layer	I CMOS	1.8V	Runtime	PD 1M	Module must tolerate high level in stand-by mode
eDP1_TX0+ eDP1_TX0- eDP1_TX1+ eDP1_TX1- eDP1_TX2+ eDP1_TX2- eDP1_TX3+ eDP1_TX3-	S111 S112 S114 S115 S117 S118 S120 S121	Secondary 4-Lane eDP Differential Pair Data Lines	O DP		Runtime		AC coupled off Module 100 nF DC blocking capacitors shall be placed on the Carrier. Only in use, when two separate eDP ports are supported, please check Module user manual.
eDP1_AUX+ eDP1_AUX-	S108 S109	Secondary Bidirectional Channel used for Link Management and Device Control	I/O DP		Runtime		AC coupled off Module -only in use, when two separate eDP ports are supported, please check Module user manual.
LCD1_VDD_EN	S116	Secondary Panel Power Enable	O CMOS	1.8V	Runtime		Active high Only in use, when two separated eDP ports are supported. Please check Module user manual.
LCD1_BKLT_EN	S107	Secondary Panel Backlight Enable	O CMOS	1.8V	Runtime		Active high Only in use, when two separated eDP ports are supported. Please check Module user manual.

Signal Name	Pin #	Description	I/O Type	I/O Level	Power Domain	PU / PD	Comments
LCD1_BKLT_PWM	S122	Secondary Panel Brightness Control	O CMOS	1.8V	Runtime		Through Pulse Width Modulation (PWM) Only in use, when two separated eDP ports are supported. Please check Module user manual.
eDP1_HPD	S113	Detection of Hot Plug / Unplug of Secondary eDP Display and Notification of the Link Layer	I CMOS	1.8V	Runtime	PD 1M	Only in use, when two separated eDP ports are supported. Please check Module user guide! Module must tolerate high level in stand-by mode
I2C_LCD_DAT	S140	I2C Data to Read LCD Display EDID EEPROMs	I/O OD CMOS	1.8V	Runtime	PU 2k2	Possible EDID EEPROM Address conflicts may occur if multiple displays are implemented. Optional - eDP panel information is usually exchanged via the eDP auxiliary pair
I2C_LCD_CK	S139	I2C clock to read LCD display EDID EEPROMs	I/O OD CMOS	1.8V	Runtime	PU 2k2	Optional - eDP panel information is usually exchanged via the eDP auxiliary pair

Table 5: eDP Signals

3.4.3 MIPI DSI Display

Signal Name	Pin #	Description	I/O Type	I/O Level	Power Domain	PU / PD	Comments
DSI0_D0+	S125	Primary DSI Panel Differential Pair Data Lines	O D-PHY		Runtime		No blocking capacitors or termination required. Layout for 90 ohm differential impedance.
DSI0_D0-	S126						
DSI0_D1+	S128						
DSI0_D1-	S129						
DSI0_D2+	S131						
DSI0_D2-	S132						
DSI0_D3+	S137						
DSI0_D3-	S138						
DSI0_CLK+	S134	Primary DSI Panel Differential Pair Clock Lines	O D-PHY		Runtime		
DSI0_CLK-	S135						
LCD0_VDD_EN	S133	Primary Panel Power Enable	O CMOS	1.8V	Runtime		Active high
LCD0_BKLT_EN	S127	Primary Panel Backlight Enable	O CMOS	1.8V	Runtime		Active high
LCD0_BKLT_PWM	S141	Primary Panel Brightness Control	O CMOS	1.8V	Runtime		Through pulse width modulation (PWM)
DSI0_TE	S144	Primary DSI Panel Tearing Effect Signal	I CMOS	1.8V	Runtime	1M PD	
DSI1_D0+	S111	Secondary DSI Panel Differential Pair Data Lines	O D-PHY		Runtime		No blocking capacitors or termination required. Layout for 90 ohm differential impedance.
DSI1_D0-	S112						
DSI1_D1+	S114						
DSI1_D1-	S115						
DSI1_D2+	S117						
DSI1_D2-	S118						
DSI1_D3+	S120						
DSI1_D3-	S121						
DSI1_CLK+	S108	Secondary DSI Panel Differential Pair Clock Lines	O D-PHY		Runtime		
DSI1_CLK-	S109						
LCD1_VDD_EN	S116	Secondary Panel Power Enable	O CMOS	1.8V	Runtime		Active high
LCD1_BKLT_EN	S107	Secondary Panel Backlight Enable	O CMOS	1.8V	Runtime		Active high
LCD1_BKLT_PWM	S122	Secondary Panel Brightness Control	O CMOS	1.8V	Runtime		Through pulse width modulation (PWM)
DSI1_TE	S113	Secondary DSI Panel Tearing Effect Signal	I CMOS	1.8V	Runtime	1M PD	
I2C_LCD_DAT	S140	DDC Data Line Used for Flat Panel Detection and Control	I/O OD CMOS	1.8V	Runtime	PU 2k2	Possible conflict if two LVDS panels are used
I2C_LCD_CK	S139	DDC Clock Line Used for Flat Panel Detection and Control	I/O OD CMOS	1.8V	Runtime	PU 2k2	Possible conflict if two LVDS panels are used

Table 6: MIPI-DSI Signals

3.4.4 LVDS / eDP / MIPI DSI Pin Sharing

Pin #	LVDS Signal Name	MIPI DSI Signal Name	eDP Signal Name
S125	LVDS0_0+	DSI0_D0+	eDP0_TX0+
S126	LVDS0_0-	DSI0_D0-	eDP0_TX0-
S128	LVDS0_1+	DSI0_D1+	eDP0_TX1+
S129	LVDS0_1-	DSI0_D1-	eDP0_TX1-
S131	LVDS0_2+	DSI0_D2+	eDP0_TX2+
S132	LVDS0_2-	DSI0_D2-	eDP0_TX2-
S137	LVDS0_3+	DSI0_D3+	eDP0_TX3+
S138	LVDS0_3-	DSI0_D3-	eDP0_TX3-
S134	LVDS0_CLK+	DSI0_CLK+	eDP0_AUX+
S135	LVDS0_CLK-	DSI0_CLK-	eDP0_AUX-
S133	LCD0_VDD_EN	LCD0_VDD_EN	LCD0_VDD_EN
S127	LCD0_BKLT_EN	LCD0_BKLT_EN	LCD0_BKLT_EN
S141	LCD0_BKLT_PWM	LCD0_BKLT_PWM	LCD0_BKLT_PWM
S144	-	DSI0_TE	eDP0_HPD
S111	LVDS1_0+	DSI1_D0+	eDP1_TX0+
S112	LVDS1_0-	DSI1_D0-	eDP1_TX0-
S114	LVDS1_1+	DSI1_D1+	eDP1_TX1+
S115	LVDS1_1-	DSI1_D1-	eDP1_TX1-
S117	LVDS1_2+	DSI1_D2+	eDP1_TX2+
S118	LVDS1_2-	DSI1_D2-	eDP1_TX2-
S120	LVDS1_3+	DSI1_D3+	eDP1_TX3+
S121	LVDS1_3-	DSI1_D3-	eDP1_TX3-
S108	LVDS1_CLK+	DSI1_CLK+	eDP1_AUX+
S109	LVDS1_CLK-	DSI1_CLK-	eDP1_AUX-
S116	LCD1_VDD_EN	LCD1_VDD_EN	LCD1_VDD_EN
S107	LCD1_BKLT_EN	LCD1_BKLT_EN	LCD1_BKLT_EN
S122	LCD1_BKLT_PWM	LCD1_BKLT_PWM	LCD1_BKLT_PWM
S113	-	DSI1_TE	eDP1_HPD
S140	I2C_LCD_DAT	I2C_LCD_DAT	I2C_LCD_DAT
S139	I2C_LCD_CK	I2C_LCD_CK	I2C_LCD_CK

Table 7: LVDS / eDP / MIPI DSI Pin Sharing

3.5 Secondary Display Interface

The SMARC HDMI pins *may* alternatively be used for DisplayPort++ (DP++) operation. This is Module vendor dependent.

3.5.1 HDMI

Signal Name	Pin #	Description	I/O Type	I/O Level	Power Domain	PU / PD	Comments
HDMI_D2+ HDMI_D2- HDMI_D1+ HDMI_D1- HDMI_D0+ HDMI_D0-	P92 P93 P95 P96 P98 P99	HDMI Port, Differential Pair Data Lines	O TMDS HDMI		Runtime		
HDMI_CK+ HDMI_CK-	P101 P102	HDMI Port, Differential Pair Clock Lines	O TMDS HDMI		Runtime		
HDMI_CTRL_CK	P105	I2C_CLK Line Dedicated to HDMI	I/O OD CMOS	1.8V	Runtime	PU 100K	Level shifter FET and 5V PU resistor shall be placed between the Module and the HDMI connector. Stronger pull-up is demanded to the carrier board. The pull-ups may be part of an integrated HDMI ESD protection and control-line level shift device, such as the Texas Instruments TPD12S016. If discrete Carrier pull-ups are used, the value depends on the individual carrier board implementation.
HDMI_CTRL_DAT	P106	I2C_DAT Line Dedicated to HDMI	I/O OD CMOS	1.8V	Runtime	PU 100K	Level shifter FET and 5V PU resistor shall be placed between the Module and the HDMI connector. Stronger pull-up is demanded to the carrier board. The pull-ups may be part of an integrated HDMI ESD protection and control-line level shift device, such as the Texas Instruments TPD12S016. If discrete Carrier pull-ups are used, the value depends on the individual carrier board implementation.
HDMI_HPD	P104	HDMI Hot Plug Active High Detection Signal that Serves as an Interrupt Request	I CMOS	1.8V	Runtime	PD 1M	Important: Module shall tolerate high level in stand-by mode

Table 8: Secondary HDMI Signals

HDMI displays uses 5V I2C signaling. The Module HDMI_CTRL_DAT and HDMI_CTRL_CK signals need to be level translated on the Carrier from the Module 1.8V level. A similar consideration applies to the HDMI_HPD signal. There are a number of single chip devices on the market that perform ESD protection and control signal level shifting for HDMI interfaces. The Texas Instruments TPD12S016 is one such device.

3.5.2 DP++

Signal Name	Pin #	Description	I/O Type	I/O Level	Power Domain	PU / PD	Comments
DP1_LANE0+ DP1_LANE0- DP1_LANE1+ DP1_LANE1- DP1_LANE2+ DP1_LANE2- DP1_LANE3+ DP1_LANE3-	P92 P93 P95 P96 P98 P99 P101 P102	Secondary DP Port Differential Pair Data Lines	O DP		Runtime		AC coupled off Module 100 nF DC blocking capacitors shall be placed on the Carrier
DP1_AUX+	P105	Secondary DP Port Bidirectional Channel used for Link Management and Device Control	I/O DP	3.3V	Runtime	PD 100k	AC coupled on Module If DP1_AUX_SEL=0 (DP mode): AC coupled on module, 100k PD. If DP1_AUX_SEL=1 (HDMI mode): DC coupled, CMOS, 100k PU. In case of HDMI over DP++ implementation, stronger pull-up is demanded to the Carrier Board.
DP1_AUX-	P106	Secondary DP Port Bidirectional Channel used for Link Management and Device Control	I/O DP	3.3V	Runtime	PU 100k	AC coupled on Module If DP1_AUX_SEL=0 (DP mode): AC coupled on module, 100k PU. If DP1_AUX_SEL=1 (HDMI mode): DC coupled, CMOS, 100k PU. In case of HDMI over DP++ implementation, stronger pull-up is demanded to the Carrier Board.
DP1_HPDP	P104	DP Hot Plug Detect Input	I CMOS	1.8V	Runtime	PD 1M	Module must tolerate high level in stand-by mode. The Carrier shall include a blocking FET on DP1_HPDP to prevent back-drive current from damaging the Module.
DP1_AUX_SEL	P107	Strapping Signal to Enable Either HDMI or DP Output	I CMOS	1.8V	Runtime	PD 1M	Pulled to GND on Carrier for DP operation in Dual Mode (DP++) implementations. Driven to 1.8V on Carrier for HDMI mode. Module must tolerate high level in stand-by mode. Should be connected to pin 13 of the DisplayPort connector to enable a dual-mode DisplayPort interface.

Table 9: DP++ Signals

Dual Mode (HDMI and DisplayPort on the same pins) implementations **may** be realized. This is desirable for SOCs that natively implement this capability. With such SOCs, the primary Dual Mode implementation challenge is that the HDMI_CTRL_DAT and HDMI_CTRL_CK lines are DC coupled, but the DP_AUX+ /- pair must be AC coupled. A set of FET switches is usually used to sort this out. The FET gates can be controlled by the AUX_SEL pin function.

3.5.3 Secondary HDMI / DP++ Pin Sharing

Pin #	HDMI Signal Name	DP++ Name
P92	HDMI_D2+	DP1_LANE0+
P93	HDMI_D2-	DP1_LANE0-
P95	HDMI_D1+	DP1_LANE1+
P96	HDMI_D1-	DP1_LANE1-
P98	HDMI_D0+	DP1_LANE2+
P99	HDMI_D0-	DP1_LANE2-
P101	HDMI_CK+	DP1_LANE3+
P102	HDMI_CK-	DP1_LANE3-
P105	HDMI_CTRL_CK	DP1_AUX+
P106	HDMI_CTRL_DAT	DP1_AUX-
P104	HDMI_HPD	DP1_HPD

Table 10: Secondary HDMI / DP++ Pin Sharing

3.6 Third Display Interface

3.6.1 DP++

A DP++ interface can output signals that are formatted per either DP or HDMI / DVI protocols. The signal levels are DP compliant. For DP use, off-Module coupling caps are needed on the 4 DP display data lanes. A Carrier Board level translator is usually needed for HDMI / DVI operation.

DP++ or DisplayPort++ (also named as Dual-mode DisplayPort) can directly output HDMI and DVI signals. The level adaptation can be implemented on the Carrier or via plug in cable adapter. In case of Carrier Board implementation, a level shifter adjusts the I/O voltage to HDMI/DVI compliant signal levels. A dual-mode chipset switches to DVI/HDMI mode (4-lane main DisplayPort link and AUX channel) if a DVI or HDMI passive adapter is detected (by DP0_AUX_SEL).

Signal Name	Pin #	Description	I/O Type	I/O Level	Power Domain	PU / PD	Comments
DP0_LANE0+ DP0_LANE0- DP0_LANE1+ DP0_LANE1- DP0_LANE2+ DP0_LANE2- DP0_LANE3+ DP0_LANE3-	S93 S94 S96 S97 S99 S100 S102 S103	Primary DP Port Differential Pair Data Lines	O DP		Runtime		AC coupled off Module 100 nF DC blocking capacitors shall be placed on the Carrier
DP0_AUX+	S105	Primary DP Port Bidirectional Channel used for Link Management and Device Control	I/O DP	3.3V	Runtime	PD 100k	AC coupled on Module If DP0_AUX_SEL=0 (DP mode): AC coupled on module, 100k PD. If DP0_AUX_SEL=1 (HDMI mode): DC coupled, CMOS, 100k PU. In case of HDMI over DP++ implementation, stronger pull-up is demanded to the Carrier Board.
DP0_AUX-	S106	Primary DP Port Bidirectional Channel used for Link Management and Device Control	I/O DP	3.3V	Runtime	PU 100k	AC coupled on Module If DP0_AUX_SEL=0 (DP mode): AC coupled on module, 100k PU. If DP0_AUX_SEL=1 (HDMI mode): DC coupled, CMOS, 100k PU. In case of HDMI over DP++ implementation, stronger pull-up is demanded to the Carrier Board.
DP0_AUX_SEL	S95	Auxiliary Selection	I CMOS	1.8V	Runtime	PD 1M	Pulled to GND on Carrier for DP operation in Dual Mode (DP++) implementations Module must tolerate high level in stand-by mode. Should be connected to pin 13 of the DisplayPort connector to enable a dual-mode DisplayPort interface.
DP0_HPD	S98	DP Hot Plug Detect Input	I CMOS	1.8V	Runtime	PD 1M	Module must tolerate high level in stand-by mode. The Carrier shall include a blocking FET on DP[0:1]_HPD to prevent back-drive current from damaging the Module.

Table 11: Third Display Interface DP++ Signals

3.7 Camera Interfaces

SMARC 2.0 defines two MIPI CSI serial camera interfaces. The defined CSI0 interface supports up to two differential data lanes (CSI0_D[0:1]+/- signals). CSI1 **may** be implemented with up to four differential data lanes (CSI1_D[0:3]+/- signals) to support higher resolution cameras.

Both MIPI CSI interfaces support MIPI-CSI 2.0 but are also prepared to support the implementation of MIPI-CSI 3.0. Both standards continue to evolve (see <http://mipi.org/specifications/camera-interface>). While MIPI-CSI 2.0 utilizes an I2C bus (I2C_CAM[0:1]) to communicate with the camera the MIPI-CSI 3.0 uses a differential data lane (CSI[0:1]_TX+/-).

3.7.1 MIPI CSI

Signal Name	Pin #	Description	I/O Type	I/O Level	Power Domain	PU / PD	Comments
CSI0_RX0+ CSI0_RX0- CSI0_RX1+ CSI0_RX1-	S11 S12 S14 S15	CSI0 differential input	I D-PHY / I M-PHY		Runtime		
CSI0_CK+ CSI0_CK-	S8 S9	CSI0 differential clock input (point to point)	I D-PHY		Runtime		
I2C_CAM0_DAT / CSI0_TX-	S7	I2C data for serial camera data support link or differential data lane	I/O OD CMOS / O M-PHY	1.8V	Runtime	PU 2.2K	MIPI-CSI 2.0 uses I2C_CAM0_DAT which requires PU MIPI-CSI 3.0 uses CSI0_TX-, no PU required
I2C_CAM0_CK / CSI0_TX+	S5	I2C clock for serial camera data support link or differential data lane	I/O OD CMOS / O M-PHY	1.8V	Runtime	PU 2.2K	MIPI-CSI 2.0 uses I2C_CAM0_CK which requires PU MIPI-CSI 3.0 uses CSI0_TX+, no PU required
CAM0_PWR#	P108	Camera 0 Power Enable, active low output.	O CMOS	1.8V	Runtime		Shared with GPIO0
CAM0_RST#	P110	Camera 0 reset, active low output	O CMOS	1.8V	Runtime		Shared with GPIO2
CSI1_RX0+ CSI1_RX0- CSI1_RX1+ CSI1_RX1- CSI1_RX2+ CSI1_RX2- CSI1_RX3+ CSI1_RX3-	P7 P8 P10 P11 P13 P14 P16 P17	CSI1 differential input (point to point)	I D-PHY / I M-PHY		Runtime		

Signal Name	Pin #	Description	I/O Type	I/O Level	Power Domain	PU / PD	Comments
CSI1_CK+ CSI1_CK-	P3 P4	CSI1 differential clock input (point to point)	I D-PHY		Runtime		
I2C_CAM1_DAT / CSI1_TX-	S2	I2C data for serial camera data support link or differential data lane	I/O OD CMOS / O M-PHY	1.8V	Runtime	PU 2.2K	MIPI-CSI 2.0 mode uses I2C_CAM1_DAT which requires PU MIPI-CSI 3.0 mode uses CSI1_TX-, no PU required
I2C_CAM1_CK / CSI1_TX+	S1	I2C clock for serial camera data support link or differential data lane	I/O OD CMOS / O M-PHY	1.8V	Runtime	PU 2.2K	MIPI-CSI 2.0 mode uses I2C_CAM1_CK which requires PU MIPI-CSI 3.0 mode uses CSI1_TX+, no PU required
CAM1_PWR#	P109	Camera 1 Power Enable, active low output.	O CMOS	1.8V	Runtime		Shared with GPIO1
CAM1_RST#	P111	Camera 1 reset, active low output	O CMOS	1.8V	Runtime		Shared with GPIO3
CAM_MCK	S6	Master clock output	O CMOS	1.8V	Runtime		

Table 12: MIPI-CSI Signals

MIPI CSI Configuration CSI-2 and CSI-3

The newer version of the MIPI Camera Serial Interface CSI-3 no longer uses an I2C bus to transmit commands and configurations to the camera. A newly defined high-speed differential signal pair is used instead.

Serial Cameras In

Two MIPI CSI camera interfaces are supported. The CSI0 interface supports two lanes, the CSI1 interface supports 4 lanes. MIPI CSI 2.0 and MIPI CSI 3.0 are supported. With SMARC 2.1 the fill order changed to CSI1 first.

3.7.2 3rd and 4th MIPI CSI on optional feature connector

Two identical feature connectors *may* be used to connect extra MIPI cameras by flat foil cables

Signal Name	Pin #	Description	I/O Type	I/O Level	Power Domain	PU / PD	Comments
CSI2_RX0+ CSI2_RX0- CSI2_RX1+ CSI2_RX1- CSI2_RX2+ CSI2_RX2- CSI2_RX3+ CSI2_RX3-	4 5 7 8 10 11 13 14	CSI2 differential input (point to point)	I D-PHY / I M-PHY		Runtime		
CSI2_CK+ CSI2_CK-	16 17	CSI2 differential clock input (point to point)	I D-PHY		Runtime		
I2C_CAM2_DAT / CSI2_TX-	20	I2C data for serial camera data support link or differential data lane	I/O OD CMOS / O M-PHY	1.8V	Runtime	PU 2.2K	MIPI-CSI 2.0 mode uses I2C which requires PU MIPI-CSI 3.0 mode uses a differential pair, no PU required
I2C_CAM2_CK / CSI2_TX+	19	I2C clock for serial camera data support link or differential data lane	I/O OD CMOS / O M-PHY	1.8V	Runtime	PU 2.2K	MIPI-CSI 2.0 mode uses I2C which requires PU MIPI-CSI 3.0 mode uses a differential pair, no PU required
CAM2_PWR#	21	Camera 2 Power Enable, active low output.	O CMOS	1.8V	Runtime		
CAM2_RST#	12	Camera 2 reset, active low output	O CMOS	1.8V	Runtime		
CAM2_MCK	22	Master clock output	O CMOS	1.8V	Runtime		
CAM2_VCC	1, 2	Power		3.3V	Runtime		VCC Power for MIPI Camera
GND	3, 6, 9, 15, 18	Ground					GND for MIPI Camera power and signals

Table 13: MIPI-CSI Feature Connector Signals for 3rd Camera

Signal Name	Pin #	Description	I/O Type	I/O Level	Power Domain	PU / PD	Comments
CSI3_RX0+ CSI3_RX0- CSI3_RX1+ CSI3_RX1- CSI3_RX2+ CSI3_RX2- CSI3_RX3+ CSI3_RX3-	4 5 7 8 10 11 13 14	CSI3 differential input (point to point)	I D-PHY / I M-PHY		Runtime		
CSI3_CK+ CSI3_CK-	16 17	CSI3 differential clock input (point to point)	I D-PHY		Runtime		
I2C_CAM3_DAT / CSI3_TX-	20	I2C data for serial camera data support link or differential data lane	I/O OD CMOS / O M-PHY	1.8V	Runtime	PU 2.2K	MIPI-CSI 2.0 mode uses I2C which requires PU MIPI-CSI 3.0 mode uses a differential pair, no PU required
I2C_CAM3_CK / CSI3_TX+	19	I2C clock for serial camera data support link or differential data lane	I/O OD CMOS / O M-PHY	1.8V	Runtime	PU 2.2K	MIPI-CSI 2.0 mode uses I2C which requires PU MIPI-CSI 3.0 mode uses a differential pair, no PU required
CAM3_PWR#	21	Camera 3 Power Enable, active low output.	O CMOS	1.8V	Runtime		
CAM3_RST#	12	Camera 3 reset, active low output	O CMOS	1.8V	Runtime		
CAM3_MCK	22	Master clock output	O CMOS	1.8V	Runtime		
CAM3_VCC	1, 2	Power		3.3V	Runtime		VCC Power for MIPI Camera
GND	3, 6, 9, 15, 18	Ground					GND for MIPI Camera power and signals

Table 14: MIPI-CSI Feature Connector Signals for 4th Camera

3.7.2.1 MIPI CSI feature connector

A 22 pin FPC connector with 22 pins **may** be used as feature connector for extra MIPI CSI signals.

TE part number: 2-1734592-2 or compatible (i.e. FDS0520 from company Sunfun or MWAFC07-S22FXA-HF from company 勝達電子).

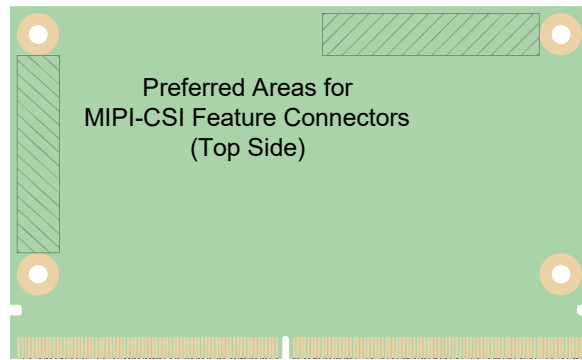


Figure 1: MIPI CSI feature connector placement (82x50mm Module)

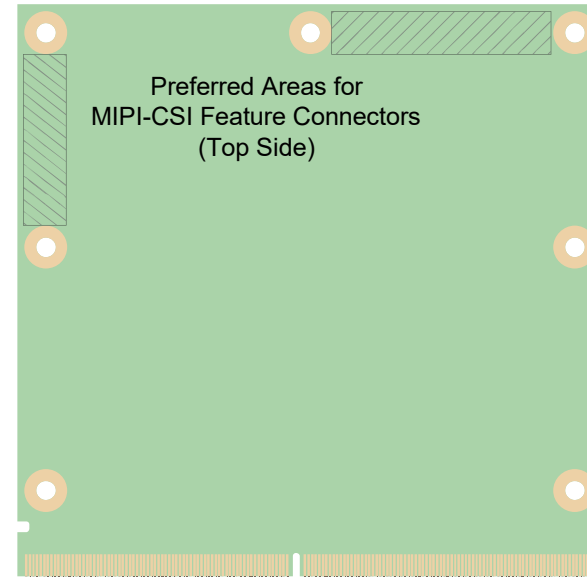


Figure 2: MIPI CSI feature connector placement (82x80mm Module)

3.8 SDIO Card (4 bit) Interface

The SD Card / SDIO interface can support SD Cards or additionally SDIO functionality. A SDIO (Secure Digital Input Output) card is an extension of the SD specification to cover I/O functions. SDIO cards are only fully functional in host devices designed to support their input-output functions. These devices can use the SD slot to support GPS receivers, modems, barcode readers, radio tuners, RFID readers, digital cameras, and interfaces to Wi-Fi, Bluetooth, Ethernet, and IrDA.

The SDIO and SD interfaces are mechanically and electrically identical. Host devices built for SDIO cards generally accept SD memory cards without I/O functions. However, the reverse is not true, because host devices need suitable drivers and applications to support the card's I/O functions.

The Carrier SDIO Card **may** be selected as the Boot Device – see Table 44 'Control of Boot Sources' on page 63.

Signal Name	Pin #	Description	I/O Type	I/O Level	Power Domain	PU / PD	Comments
SDIO_D0 SDIO_D1 SDIO_D2 SDIO_D3	P39 P40 P41 P42	SDIO Data lines. These signals operate in push-pull mode.	I/O CMOS	1.8V or 3.3V	Runtime		SDIO controller may detect SD Cards voltage level (1.8V for UHS-I and 3.3V for standard) and adjust its I/O voltage level accordingly
SDIO_WP	P33	SDIO Write Protect. This signal denotes the state of the write-protect tab on SD cards.	I OD CMOS	1.8V or 3.3V	Runtime	PU 10k	
SDIO_CMD	P34	SDIO Command/Response. This signal is used for card initialization and for command transfers. During initialization mode this signal is open drain. During command transfer this signal is in push-pull mode.	I/O CMOS	1.8V or 3.3V	Runtime		SDIO controller may detect SD Cards voltage level (1.8V for UHS-I and 3.3V for standard) and adjust its I/O voltage level accordingly
SDIO_CD#	P35	SDIO Card Detect. This signal indicates when a SDIO/MMC card is present.	I OD CMOS	1.8V or 3.3V	Runtime	PU 10k	
SDIO_CK	P36	SDIO Clock. With each cycle of this signal a one-bit transfer on the command and each data line occurs.	O CMOS	1.8V or 3.3V	Runtime		SDIO controller will detect SD Cards voltage level (1.8V for UHS-I and 3.3V for standard) and adjust its I/O voltage level accordingly
SDIO_PWR_EN	P37	SDIO Power Enable. This signal is used to enable the power being supplied to a SD/MMC card device.	O CMOS	3.3V	Runtime		Should be driven low in Standby Mode by the Module

Table 15: SDIO Signals

Note:

There are SD Cards with a 1.8V I/O voltage (UHS-I). SDIO controllers supporting these cards will adjust the I/O voltage levels.

3.9 SPI Interfaces

3.9.1 SPI0

The Carrier SPI0 device **may** be selected as the Boot Device – see Table 44 ‘Control of Boot Sources’ on page 63

Signal Name	Pin #	Description	I/O Type	I/O Level	Power Domain	PU / PD	Comments
SPI0_CS0#	P43	SPI0 Master Chip Select 0	O CMOS	1.8V	Standby		This signal can be used to select Carrier SPI as boot device
SPI0_CS1#	P31	SPI0 Master Chip Select 1	O CMOS	1.8V	Standby		
SPI0_CK	P44	SPI0 Clock	O CMOS	1.8V	Standby		
SPI0_DIN	P45	SPI0 Master input / Slave output	I CMOS	1.8V	Standby		also referred to as MISO
SPI0_DO	P46	SPI0 Master output / Slave input	O CMOS	1.8V	Standby		also referred to as MOSI

Table 16: SPI0 Signals

3.9.2 SPI1

SPI1 is the general-purpose SPI bus.

Signal Name	Pin #	Description	I/O Type	I/O Level	Power Domain	PU / PD	Comments
SPI1_CS0#	P54	SPI1 Master Chip Select 0	O CMOS	1.8V	Standby		
SPI1_CS1#	P55	SPI1 Master Chip Select 1	O CMOS	1.8V	Standby		
SPI1_CK	P56	SPI1 Clock	O CMOS	1.8V	Standby		
SPI1_DIN	P57	SPI1 Master input / Slave output	I CMOS	1.8V	Standby		also referred to as MISO
SPI1_DO	P58	SPI1 Master output / Slave input	O CMOS	1.8V	Standby		also referred to as MOSI

Table 17: SPI1 Signals

3.9.3 QSPI

The QSPI is a controller extension for the SPI Bus. The difference is that it uses a data queue with programmable queue pointers that allow the data transfers without the CPU intervention. It also has a wrap-around mode that allows continuous transfers and from the queue with no CPU intervention. The peripherals appear to the CPU as memory-mapped parallel devices. This is useful in application such as controlling an analog to digital converter. QSPI has some more programmable features like chip select and transfer length delay.

Signal Name	Pin #	Description	I/O Type	I/O Level	Power Domain	PU / PD	Comments
QSPI_CS0#	P54	QSPI Master Chip Select 0	O CMOS	1.8V	Standby		
QSPI_CS1#	P55	QSPI Master Chip Select 1	O CMOS	1.8V	Standby		
QSPI_CK	P56	QSPI Clock	O CMOS	1.8V	Standby		
QSPI_IO_3	S57	QSPI Data input / output	I/O CMOS	1.8V	Standby		
QSPI_IO_2	S56	QSPI Data input / output	I/O CMOS	1.8V	Standby		
QSPI_IO_1	P57	QSPI Data input / output	I/O CMOS	1.8V	Standby		
QSPI_IO_0	P58	QSPI Data input / output	I/O CMOS	1.8V	Standby		

Table 18: QSPI Signals

3.9.4 eSPI

eSPI stands for Enhanced Serial Peripheral Interface. It was introduced to replace the legacy LPC Bus.

It is defined to meet the following requirements:

- **Low Power:** The interface may be active in all S0-S5 system states. The power consumed when the bus is operating in S3-S5 system states must be very low to meet the power requirements of these low power system states. When the interface is not transmitting or receiving, it should consume a negligible amount of power (at system level).
- **Pin Count Reduction:** Moving LPC devices over to the eSPI interface facilitates the removal of LPC pins in the longer term. On top of that messaging through sideband pins needed for communication between the chipset and slave devices (such as EC, BMC and SIO) is converted to in-band messages, resulting in further pin count reduction.
- **Medium Bandwidth:** The bus bandwidth needs to be higher than that of the Low Pin Count (LPC) bus.
- **LPC Replacement:** Supports all the capabilities needed to replace the parallel LPC interface. However, 8237 DMA and Firmware Hub (FWH) are not supported over this interface.
- **Sideband Pins as In-Band Messaging:** Facilitates the removal of sideband pins for communication between chipset and slave devices by converting this communication into in-band messages sent over the eSPI bus.
- **Real-Time Flash Sharing:** Supports flash sharing based on partition-able memory mapping. Allows real-time operational access by chipset and slave devices.
- **Chipset and Slave Devices SMBus Replacement:** Supports tunneling of all SMBus communication between chipset and slave devices over the new interface as in-band messages.
- **Scalable bandwidth:** Allows the bandwidth to be scaled based on application needs to optimize power versus performance. This could be done through frequency scaling or varying the number of active data pins.
- **Low Voltage I/O Buffer:** eSPI uses the same I/O buffer as Serial Peripheral Interface (SPI). The I/O buffer will support only 1.8V mode of operation for the eSPI bus.

Signal Name	Pin #	Description	I/O Type	I/O Level	Power Domain	PU / PD	Comments
ESPI_CS0#	P54	ESPI1 Master Chip Select 0	O CMOS	1.8V	Standby		
ESPI_CS1#	P55	ESPI1 Master Chip Select 1	O CMOS	1.8V	Standby		
ESPI_CK	P56	ESPI Master Clock Output	O CMOS	1.8V	Standby		Pin provides reference timing for all serial input / output operations.
ESPI_RESET#	S58	ESPI Reset	O CMOS	1.8V	Standby		Reset the eSPI interface for both master and slaves. eSPI Reset# is typically driven from eSPI master to eSPI slaves
ESPI_ALERT0# ESPI_ALERT1#	S43 S44	ESPI ALERT	I OD CMOS	1.8V	Standby	4.7k PU	These pins are used by eSPI slaves to request service from eSPI master. Open-drain output from the slave. This pin is optional for Single Master-Single Slave configuration where I/O[1] can be used to signal the Alert event.
ESPI_IO_0 ESPI_IO_1 ESPI_IO_2 ESPI_IO_3	P58 P57 S56 S57	ESPI Master Data Input / Output	I/O CMOS	1.8V	Standby		In Single I/O mode, ESPI_IO_0 is the eSPI master output / eSPI slave input (MOSI) whereas ESPI_IO_1 is the SPI master input / eSPI slave output (MISO).

Table 19: eSPI Signals

3.9.5 eSPI/SPI1/QSPI Pin Sharing

Pin #	eSPI Signal Name	SPI1 Name	QSPI Name
P58	ESPI_IO_0	SPI1_DO	QSPI_IO_0
P57	ESPI_IO_1	SPI1_DIN	QSPI_IO_1
S56	ESPI_IO_2	-	QSPI_IO_2
S57	ESPI_IO_3	-	QSPI_IO_3
S43	ESPI_ALERT0#	-	-
S44	ESPI_ALERT1#	-	-
S58	ESPI_RESET	-	-
P56	ESPI_CK	SPI1_CK	QSPI_CK
P55	ESPI_CS1#	SPI1_CS1#	QSPI_CS1#
P54	ESPI_CS0#	SPI1_CS0#	QSPI_CS0#

Table 20: eSPI/SPI1 Pin Sharing

3.10 Audio

Two audio interfaces are defined. One I2S interface is pin shared with HDA. I2S1 from SMARC V1.1 has been deprecated.

The I2S interface is typically used for ARM processor implementation. HDA is typically used for x86 processor implementations. The HDA interface **may** also be used for a second I2S interface.

3.10.1 I2S0

Two I2S interfaces are defined. These are typically used for digital audio I/O and other modest bandwidth functions. A common audio master clock signal is also defined.

Signal Name	Pin #	Description	I/O Type	I/O Level	Power Domain	PU / PD	Comments
I2S0_LRCK	S39	I2S0 Left & Right Synchronization Clock	I/O CMOS	1.8V	Runtime		Module Output if CPU acts in Master Mode. Module Input if CPU acts in Slave Mode
I2S0_SDOUT	S40	I2S0 Digital Audio Output	O CMOS	1.8V	Runtime		
I2S0_SDIN	S41	I2S0 Digital Audio Input	I CMOS	1.8V	Runtime		
I2S0_CK	S42	I2S0 Digital Audio Clock	I/O CMOS	1.8V	Runtime		Module Output if CPU acts in Master Mode Module Input if CPU acts in Slave Mode
AUDIO_MCK	S38	Master Clock Output to I2S Codec(s)	O CMOS	1.8V	Runtime		

Table 21: I2S0 Signals

3.10.2 I2S2

The second I2S interface can also be implemented as HDA interface.

The master clock output (AUDIO_MCK) is shared between both I2S interfaces.

Signal Name	Pin #	Description	I/O Type	I/O Level	Power Domain	PU / PD	Comments
I2S2_LRCK	S50	I2S2 Left & Right Synchronization Clock	I/O CMOS	1.8V	Runtime		Module Output if CPU acts in Master Mode. Module Input if CPU acts in Slave Mode
I2S2_SDOOUT	S51	I2S2 Digital Audio Output	O CMOS	1.8V	Runtime		
I2S2_SDIN	S52	I2S2 Digital Audio Input	I CMOS	1.8V	Runtime		
I2S2_CK	S53	I2S2 Digital Audio Clock	I/O CMOS	1.8V	Runtime		Module Output if CPU acts in Master Mode. Module Input if CPU acts in Slave Mode
AUDIO_MCK	S38	Master Clock Output to I2S Codec(s)	O CMOS	1.8V	Runtime		

Table 22: I2S2 Signals

3.10.3 HDA

Signal Name	Pin #	Description	I/O Type	I/O Level	Power Domain	PU / PD	Comments
HDA_SYNC	S50	High Definition Audio Sample synchronization clock to codec	I/O CMOS	1.8V / 1.5V	Runtime		SMARC requires 1.5V or 1.8V HD Audio signaling. Please check with your Module vendor if 1.5V or 1.8V are supported and use an audio codec that is capable to support the regarding I/O voltage. The SMARC HD Audio pins are shared with the I2S2 pins, which are defined to be 1.8V. This specification ignores the discrepancy between the 1.5V and 1.8V signaling, as the chance of damage in mismatched systems is negligible.
HDA_SDO	S51	High Definition Audio data out to codec	O CMOS	1.8V / 1.5V	Runtime		
HDA_SDI	S52	High Definition Audio data in from codec"	I/O CMOS	1.8V / 1.5V	Runtime		
HDA_CK	S53	High Definition Audio clock to codec	O CMOS	1.8V / 1.5V	Runtime		
HDA_RST#	P112	High Definition Audio Reset Output to Codec, low active.	O CMOS	1.8V / 1.5V	Runtime		

Table 23: HDA Signals

3.10.4 I2S/HDA Pin Sharing

Pin #	I2S2 Signal Name	HDA Signal Name
S50	I2S2_LRCK	HDA_SYNC
S51	I2S2_SDOOUT	HDA_SDO
S52	I2S2_SDIN	HDA_SDI
S53	I2S2_CK	HDA_CK
P112	-	HDA_RST#

Table 24: I2S/HDA Pin Sharing

Note: The numbering of the secondary, alternative I2S interface is #2 because the I2S interface #1 from SMARC 1.1 was removed for SMARC 2.0. Per the HD Audio specification, HD Audio **may** be run at either 1.5V or 3.3V. SMARC requires 1.5V or 1.8V HD Audio signaling. Please check with your Module vendor if 1.5V or 1.8V are supported and use an audio codec that is capable to support the regarding I/O voltage. The SMARC HD Audio pins are shared with the I2S2 pins, which are defined to be 1.8V. This specification ignores the discrepancy between the 1.5V and 1.8V signaling, as the chance of damage in mismatched systems is negligible.

ARM SOCs generally run I2S audio and will likely use 1.8V signaling. X86 SOCs generally run 1.5V signal levels on the HD Audio interface.

3.11 I2C Interfaces

The Module supports six I2C interfaces, per the following table. Except for the LCD and HDMI Module I2C interfaces, the I2C ports **should** be multi-master capable. Data rates of 100 kHz and 400 kHz **should** be supported.

I2C Port	Primary Purpose	Alternate Use	Note
I2C_PM	Power Management Support	System configuration management	see section 3.21 'Management Pins' on page 60
I2C_CAM0 I2C_CAM1 I2C_CAM2 I2C_CAM3	Camera Support	General Purpose	see section 3.7.1 'MIPI CSI' on page 29
I2C_GP	General Purpose Use		
I2C_LCD	LCD Display Support	General Purpose	see section 3.4.1 'LVDS' on page 19
HDMI_CTRL	HDMI Control		see section 3.5.1 'HDMI' on page 25

Table 25: I2C Signals

All I2C interfaces but the I2C_GP interface are described in the section served by that I2C link (LCD, HDMI, Camera Interface, etc.). The I2C_GP Module interface consists of the following two pins:

Signal Name	Pin #	Description	I/O Type	I/O Level	Power Domain	PU / PD	Comments
I2C_GP_DAT	S49	General Purpose I2C Data Signal	I/O OD CMOS	1.8V	Runtime	PU 2k2	
I2C_GP_CK	S48	General Purpose I2C Clock Signal	I/O OD CMOS	1.8V	Runtime	PU 2k2	

Table 26: General Purpose I2C Signals

3.12 Asynchronous Serial Ports

Module pins for up to four asynchronous serial ports are defined. The ports are designated SER0 – SER3. Ports SER0 and SER2 are 4 wire ports (2 data lines and 2 handshake lines). Ports SER1 and SER3 are 2 wire ports (data only).

Signal Name	Pin #	Description	I/O Type	I/O Level	Power Domain	PU / PD	Comments
SER0_TX	P129	Asynchronous Serial Data Output Port 0	O CMOS	1.8V	Runtime		
SER0_RX	P130	Asynchronous Serial Data Input Port 0	I CMOS	1.8V	Runtime	PU 100k	
SER0_RTS#	P131	Request to Send Handshake Line for Port 0	O CMOS	1.8V	Runtime		
SER0_CTS#	P132	Clear to Send Handshake Line for Port 0	I CMOS	1.8V	Runtime	PU 100k	
SER1_TX	P134	Asynchronous Serial Data Output Port 1	O CMOS	1.8V	Runtime		
SER1_RX	P135	Asynchronous Serial Data Input Port 1	I CMOS	1.8V	Runtime	PU 100k	
SER2_TX	P136	Asynchronous Serial Data Output Port 2	O CMOS	1.8V	Runtime		
SER2_RX	P137	Asynchronous Serial Data Input Port 2	I CMOS	1.8V	Runtime	PU 100k	
SER2_RTS#	P138	Request to Send Handshake Line for Port 2	O CMOS	1.8V	Runtime		
SER2_CTS#	P139	Clear to Send Handshake Line for Port 2	I CMOS	1.8V	Runtime	PU 100k	
SER3_TX	P140	Asynchronous Serial Data Output Port 3	O CMOS	1.8V	Runtime		
SER3_RX	P141	Asynchronous Serial Data Input Port 3	I CMOS	1.8V	Runtime	PU 100k	

Table 27: Serial Port Signals

3.13 CAN Bus

Signal Name	Pin #	Description	I/O Type	I/O Level	Power Domain	PU / PD	Comments
CAN0_TX	P143	CAN Port 0 Transmit Output	O CMOS	1.8V	Runtime		
CAN0_RX	P144	CAN Port 0 Receive Input	I CMOS	1.8V	Runtime		
CAN1_TX	P145	CAN Port 1 Transmit Output	O CMOS	1.8V	Runtime		
CAN1_RX	P146	CAN Port1 Receive Input	I CMOS	1.8V	Runtime		

Table 28: CAN Bus Signals

3.14 USB Interfaces

SMARC 2.0 provides six sets of USB 2.0 signals and two sets of USB 3.2 Super Speed signals. USB OTG and USB Client functionalities are also supported.

USB 3.2 is supported for the USB ports 2 and 3. For implementation of USB 3.2 OTG or USB 3.2 host USB3 **may** be used.

For filling order see also 3.2 'Feature Fill Order'. The order follows the port prefixes USB0 to USB5. For USB 3.2 SuperSpeed signals the filling order is USB2 to USB3.

At least one USB client port **should** be supported. It **may** also be available as an OTG port. There can be one or two USB client ports. If one USB client port is supported it can be port 0 or port 3.

USB 3.2 Gen. 1 with 5 Gbit/s is supported. Support for USB 3.2 Gen 2 with 10 Gbit/s might be supported in the future. Limitation for trace length will apply. USB 3.2 Gen. 2 x 2 is not supported.

3.14.1 USB Signal Assignments

	USB 2.0	USB 3.2	OTG/VBUS	Client Capability
USB0	<i>may</i> ¹		<i>may</i>	<i>should</i>
USB1	<i>shall</i>			
USB2	<i>may</i>	<i>may</i>		
USB3	<i>may</i>	<i>may</i>	<i>may</i>	<i>may</i>
USB4	<i>may</i>			
USB5	<i>may</i>			

Table 29: USB Signal Assignments

¹ USB0 **shall** be implemented as Host or OTG/Client

3.14.2 USB Signals

Signal Name	Pin #	Description	I/O Type	I/O Level	Power Domain	PU / PD	Comments
USB0+ USB0-	P60 P61	USB Differential Data Pairs for Port 0	I/O USB	USB	Standby		
USB0_EN_OC#	P62	USB Over-Current Sense for Port 0	I/O OD CMOS	3.3V ²	Standby	PU 10k	Pulled low by Module OD driver to disable USB0 power. Pulled low by Carrier OD driver to indicate over-current situation.
USB0_VBUS_DET	P63	USB Port 0 Host Power Detection	I USB VBUS 5V	USB VBUS 5V	Standby		When this Port is used as a device it can be connected to a USB client port VBUS pin.
USB0_OTG_ID	P64	Input Pin to Announce OTG Device Insertion on USB 2.0 Port			Standby		Resistor value to ground according to USB specification
USB1+ USB1-	P65 P66	USB Differential Data Pairs for Port 1	I/O USB	USB	Standby		
USB1_EN_OC#	P67	USB Over-Current Sense for Port 1	I/O OD CMOS	3.3V ²	Standby	PU 10k	Pulled low by Module OD driver to disable USB1 power. Pulled low by Carrier OD driver to indicate over-current situation.
USB2+ USB2-	P69 P70	USB Differential Data Pairs for Port 2	I/O USB	USB	Standby		
USB2_SSRX+ USB2_SSRX-	S74 S75	Receive Signal Differential Pairs for SuperSpeed on Port 2	I USB SS	USB SS	Standby		DC blocking capacitors 100nF shall be placed on the Carrier
USB2_SSTX+ USB2_SSTX-	S71 S72	Transmit Signal Differential Pairs for SuperSpeed on Port 2	O USB SS	USB SS	Standby		DC blocking capacitors 100nF shall be placed on the Module
USB2_EN_OC#	P71	USB Over-Current Sense for Port 2	I/O OD CMOS	3.3V ²	Standby	PU 10k	Pulled low by Module OD driver to disable USB2 power. Pulled low by Carrier OD driver to indicate over-current situation.
USB3+ USB3-	S68 S69	USB Differential Data Pairs for Port 3	I/O USB	USB	Standby		
USB3_SSRX+ USB3_SSRX-	S65 S66	Receive Signal Differential Pairs for SuperSpeed on Port 3	I USB SS	USB SS	Standby		DC blocking capacitors 100nF shall be placed on the Carrier
USB3_SSTX+ USB3_SSTX-	S62 S63	Transmit Signal Differential Pairs for SuperSpeed on Port 3	O USB SS	USB SS	Standby		DC blocking capacitors 100nF shall be placed on the Module

² 3.3V or switched 3.3V: if a USB channel is not used, then the USB[0:5]_EN_OC# pull-up rail may be held at GND to prevent leakage currents.

Signal Name	Pin #	Description	I/O Type	I/O Level	Power Domain	PU / PD	Comments
USB3_EN_OC#	P74	USB Over-Current Sense for Port 3	I/O OD CMOS	3.3V ²	Standby	PU 10k	Pulled low by Module OD driver to disable USB3 power. Pulled low by Carrier OD driver to indicate over-current situation.
USB3_VBUS_DET	S37	USB Port 3 Host Power Detection	I USB VBUS 5V	USB VBUS 5V	Standby		when this Port is used as a Device
USB3_OTG_ID	S104	Input Pin to Announce OTG Device Insertion on USB 3.2 Port	I CMOS	3.3V	Standby		
USB4+ USB4-	S35 S36	USB Differential Data Pairs for Port 4	I/O USB	USB	Standby		
USB4_EN_OC#	P76	USB Over-Current Sense for Port 4	I/O OD CMOS	3.3V ²	Standby	PU 10k	Pulled low by Module OD driver to disable USB4 power. Pulled low by Carrier OD driver to indicate over-current situation.
USB5+ USB5-	S59 S60	USB Differential Data Pairs for Port 5	I/O USB	USB	Standby		
USB5_EN_OC#	S55	USB Over-Current Sense for Port 5	I/O OD CMOS	3.3V ²	Standby	PU 10k	Pulled low by Module OD driver to disable USB5 power. Pulled low by Carrier OD driver to indicate over-current situation.

Table 30: USB Signals

3.14.3 USB[0:5]_EN_OC# Discussion

The Module USB[0:5]_EN_OC# pins are multi-function Module pins, with a pull-up to a 3.3V rail on the Module, an OD driver on the Module, and, if the OC# (over-current) monitoring function is implemented on the Carrier, an OD driver on the Carrier. The use is as follows:

- 1) On the Carrier Board, for external plug-in USB peripherals (USB memory sticks, cameras, keyboards, mice, etc.) USB power distribution is typically handled by USB power switches such as the Texas Instruments TPS2052B or the Micrel MIC2026-1 or similar devices. The Carrier implementation is more straightforward if the Carrier USB power switches have active-high power enables and active low open drain OC# outputs (as the TI and Micrel devices referenced do). The USB power switch Enable and OC# pins for a given USB channel are tied together on the Carrier. The USB power switch enable pin must function with a low input current. The TI and Micrel devices referenced above require 1 microampere or less, at a 3.3V enable voltage level.
- 2) The Module drives USB[0:5]_EN_OC# low to disable the power delivery to the USB[0:5] device.
- 3) The Module floats USB[0:5]_EN_OC# to enable power delivery. The line is pulled to 3.3V by the Module pull-up, enabling the Carrier Board USB power switch. If there is a USB over-current condition, the Carrier Board USB power switch drives the USB[0:5]_EN_OC# line low. This removes the over-current condition (by disabling the USB switch enable input), and allows Module software to detect the over-current condition. The Module software **should** look for a falling edge interrupt on USB[0:5]_EN_OC#, while the port is enabled, to detect the OC# condition. The OC# condition will not last long, as the USB power switch is disabled when the switch IC detects the OC# condition. If the USB power to the port is disabled (USB[0:5]_EN_OC# is driven low by the Module) then the Module software must be aware that the port is disabled, and the low input value on the port does not indicate an over-current condition (because the port power is disabled). If the USB power to the port is disabled, then the Module **may** remove the 3.3V pull-up voltage to the USB[0:5]_EN_OC# node, to save the current drain through the pull-up resistor. This is optional and Module design dependent.

Carrier Board USB peripherals that are not removable often do **not** make use of USB power switches with current limiting and over-current detection. It is usually deemed un-necessary for non-removable devices. In these cases, the USB[0:5]_EN_OC# pins **may** be left unused, or they **may** be used as USB[0:5] power enables, without making use of the over-current detect Module input feature.

3.15 PCI Express

The Module **may** implement up to four PCIe lanes. The links **may** be PCIe Gen 1, 2 or 3, as the Module chip or chipset allows.

The Module PCIe links are primarily PCIe Root Complexes. If the chipset allows it, the PCIe link(s) **may** alternatively be configured as a PCIe target(s). This is Module vendor specific.

Modules **should** implement the PCIe Link A port. Modules **may** implement the PCIe Links B, C and D ports. Fill order is A, B, C then D. PCIe lanes C and D **may** implement SERDES alternatively.

Signal Name	Pin #	Description	I/O Type	I/O Level	Power Domain	PU / PD	Comments
PCIE_A_TX+ PCIE_A_TX-	P89 P90	Differential PCIe link A transmit data pair	O PCIE		Runtime		Series AC coupled on Module 75-265 nF depending on PCIe generation
PCIE_A_RX+ PCIE_A_RX-	P86 P87	Differential PCIe link A receive data pair	I PCIE		Runtime		Series AC coupled off Module 75-265 nF depending on PCIe generation
PCIE_A_REFCK+ PCIE_A_REFCK-	P83 P84	Differential PCIe Link A reference clock output	O PCIE		Runtime		
PCIE_A_RST#	P75	PCIe Port A reset output	O CMOS	3.3V	Runtime		
PCIE_A_CKREQ#	P78	PCIe Port A clock request	IO OD CMOS	3.3V	Runtime	>10k PU	Can be used for power saving mode on PCIe - Pulled up or terminated on Module
PCIE_B_TX+ PCIE_B_TX-	S90 S91	Differential PCIe link B transmit data pair	O PCIE		Runtime		Series AC coupled on Module 75-265 nF depending on PCIe generation
PCIE_B_RX+ PCIE_B_RX-	S87 S88	Differential PCIe link B receive data pair	I PCIE		Runtime		Series AC coupled off Module 75-265 nF depending on PCIe generation
PCIE_B_REFCK+ PCIE_B_REFCK-	S84 S85	Differential PCIe Link B reference clock output	O PCIE		Runtime		
PCIE_B_RST#	S76	PCIe Port B reset output	O CMOS	3.3V	Runtime		
PCIE_B_CKREQ#	P77	PCIe Port B clock request	IO OD CMOS	3.3V	Runtime	>10k PU	Can be used for power saving mode on PCIe - Pulled up or terminated on Module
PCIE_C_TX+ PCIE_C_TX-	S81 S82	Differential PCIe link C transmit data pair	O PCIE		Runtime		Series AC coupled on Module 75-265 nF depending on PCIe generation
PCIE_C_RX+ PCIE_C_RX-	S78 S79	Differential PCIe link C receive data pair	I PCIE		Runtime		Series AC coupled off Module 75-265 nF depending on PCIe generation
PCIE_C_REFCK+ PCIE_C_REFCK-	P80 P81	Differential PCIe Link C reference clock output	O PCIE		Runtime		
PCIE_C_RST#	S77	PCIe Port C reset output	O CMOS	3.3V	Runtime		
PCIE_D_TX+ PCIE_D_TX-	S29 S30	Differential PCIe link D transmit data pair	O PCIE		Runtime		Series AC coupled on Module 75-265 nF depending on PCIe generation
PCIE_D_RX+ PCIE_D_RX-	S32 S33	Differential PCIe link D receive data pair	I PCIE		Runtime		Series AC coupled off Module 75-265 nF depending on PCIe generation
PCIE_WAKE#	S146	PCIe wake up interrupt to host – common to PCIe links A, B, C, D	I OD CMOS	3.3V	Standby	PU 10k	

Table 31: PCI Express Signals

3.15.1 PCI Express Link Width

A connection between any two PCIe devices is known as a link, and is built up from a collection of one or more lanes. All devices **shall** support at least one single lane (x1) link. Devices may optionally support wider links composed of 2 or 4 lanes. Therefore, the root complex **may** support different link width additionally to the x1 configuration.

The SMARC specification allows for multiple PCI Express link configurations. Check with the module vendor which configurations are supported.

SMARC 2.1 adds CKREQ# signals for PCIe A and B to allow for enhanced power saving. The clock for PCIe D should be generated from the fixed clock of PCIe C.

SMARC PCIe Lane	Possible Link Configuration				
PCIe A	x1	x1	x2	x2	x4
PCIe B	x1	x1			
PCIe C	x1	x2	x1	x2	
PCIe D	x1		x1		

Table 32: PCIe Link Configurations

SMARC PCIe Lane	REFCK and RST Assignments				
PCIe A	PCIE_A_REFCK PCIE_A_CKREQ# PCIE_A_RST#	PCIE_A_REFCK PCIE_A_CKREQ# PCIE_A_RST#	PCIE_A_REFCK PCIE_A_CKREQ# PCIE_A_RST#	PCIE_A_REFCK PCIE_A_CKREQ# PCIE_A_RST#	PCIE_A_REFCK PCIE_A_CKREQ# PCIE_A_RST#
PCIe B	PCIE_B_REFCK PCIE_B_CKREQ# PCIE_B_RST#	PCIE_B_REFCK PCIE_B_CKREQ# PCIE_B_RST#			
PCIe C	PCIE_C_REFCK PCIE_C_RST#	PCIE_C_REFCK PCIE_C_RST#	PCIE_B_REFCK PCIE_B_CKREQ# PCIE_B_RST#	PCIE_B_REFCK PCIE_B_CKREQ# PCIE_B_RST#	
PCIe D	to be Generated via Buffer from PCIe C Signals		PCIE_C_REFCK PCIE_C_RST#		

Table 33: PCIe Clock and Reset Assignments

3.16 SERDES

SERDES is the general term for SERIALIZED and DESERIALIZED signals on a high-speed differential line. Many chip manufacturers use different functions on the same lines as PCIe and therefore we want to bring this surrogate use to be utilized on the module. The most common use case is here for sure (S)XGMII and therefore the implementation of one or more additional LAN ports. Other functions might also be possible. Of course, these different implementations lead to possible incompatibilities between different modules and a system designer needs to ensure, that this different functionality needs to be available on the regarding module as these are optional features.

Signal Name	Pin #	Description	I/O Type	I/O Level	Power Domain	PU / PD	Comments
SERDES_1_TX+ SERDES_1_TX-	S81 S82	Differential SERDES 1 Transmit Data Pair	O PCIE		Runtime		Series AC coupled on Module ³
SERDES_1_RX+ SERDES_1_RX-	S78 S79	Differential SERDES 1 Receive Data Pair	I PCIE		Runtime		Series AC coupled on Carrier
SERDES_0_TX+ SERDES_0_TX-	S29 S30	Differential SERDES 0 Transmit Data Pair	O PCIE		Runtime		Series AC coupled on Module
SERDES_0_RX+ SERDES_0_RX-	S32 S33	Differential SERDES 0 Receive Data Pair	I PCIE		Runtime		Series AC coupled on Carrier
MDIO_CLK	S45	MDIO Signals to Configure Possible PHYs	O CMOS	1.8V	Runtime		Signal for communication to a PHY
MDIO_DAT	S46	MDIO Signals to Configure Possible PHYs	I/O OD CMOS	1.8V	Runtime	PU 1k5	Signal for communication to a PHY

Table 34: SERDES Signals

³ Capacitor values are depending on the module implementation

3.16.1 PCI Express SERDES Pin Sharing

Pin #	PCIe Signal Name	SERDES Signal Name
S81 S82	PCIE_C_TX+ PCIE_C_TX-	SERDES_1_TX+ SERDES_1_TX-
S78 S79	PCIE_C_RX+ PCIE_C_RX-	SERDES_1_RX+ SERDES_1_RX-
P80 P81	PCIE_C_REFCK+ PCIE_C_REFCK-	- -
S77	PCIE_C_RST#	-
S29 S30	PCIE_D_TX+ PCIE_D_TX-	SERDES_0_TX+ SERDES_0_TX-
S32 S33	PCIE_D_RX+ PCIE_D_RX-	SERDES_0_RX+ SERDES_0_RX-
S45 S46	- -	MDIO_CLK MDIO_DAT

Table 35: PCIe Lane C&D / SERDES Pin Sharing

3.17 SATA

The Module definition allows for one SATA port. The port **may** be SATA Gen 1, 2 or 3 as the Modules SOC allows.

The Carrier SATA device **may** be selected as the Boot Device – see section Table 44 ‘Control of Boot Sources’ on page 63

Signal Name	Pin #	Description	I/O Type	I/O Level	Power Domain	PU / PD	Comments
SATA0_TX+	P48	Serial ATA Channel 0	O SATA		Runtime		Series AC coupled on Module 10 nF
SATA0_TX-	P49	Transmit Output Differential Pair					
SATA0_RX+	P51	Serial ATA Channel 0	I SATA		Runtime		Series AC coupled on Module 10 nF
SATA0_RX-	P52	Receive Input Differential Pair					
SATA_ACT#	S54	SATA Activity Indicator	O OD CMOS	3.3V	Runtime		Shall be able to sink 24mA or more Carrier LED current

Table 36: SATA Signals

3.18 Ethernet

The SMARC 2.0 pin-out supports two gigabit Ethernet capable ports. If only one is implemented, it **should** be GBE0.

Additional Ethernet capabilities **may** be added by utilizing the optional SERDES (See section 3.16 'SERDES' on page 52 and section 3.16.1 'PCI Express SERDES Pin Sharing' on page 53).

Signal Name	Pin #	Description	I/O Type	I/O Level	Power Domain	PU / PD	Comments																				
GBE0_MDI0+ GBE0_MDI0- GBE0_MDI1+ GBE0_MDI1- GBE0_MDI2+ GBE0_MDI2- GBE0_MDI3+ GBE0_MDI3-	P30 P29 P27 P26 P24 P23 P20 P19	Differential Pair Signals for External Transformer Carrier Series Termination: Magnetics Module appropriate for 10/100/1000 GBE transceivers Carrier Parallel Termination: Secondary side center tap terminations appropriate for Gigabit Ethernet implementations	I/O GBE MDI		Standby		Gigabit Ethernet Controller 0: Media Dependent Interface Differential Pairs 0, 1, 2, 3. The MDI can operate in 1000, 100, and 10Mbit/sec modes. Some pairs are unused in some modes according to the following: <table style="margin-left: 20px; border: none;"> <tr> <td></td> <td>1000</td> <td>100</td> <td>10</td> </tr> <tr> <td>MDI0+/-</td> <td>B1_DA+/-</td> <td>TX+/-</td> <td>TX+/-</td> </tr> <tr> <td>MDI1+/-</td> <td>B1_DB+/-</td> <td>RX+/-</td> <td>RX+/-</td> </tr> <tr> <td>MDI2+/-</td> <td>B1_DC+/-</td> <td></td> <td></td> </tr> <tr> <td>MDI3+/-</td> <td>B1_DD+/-</td> <td></td> <td></td> </tr> </table>		1000	100	10	MDI0+/-	B1_DA+/-	TX+/-	TX+/-	MDI1+/-	B1_DB+/-	RX+/-	RX+/-	MDI2+/-	B1_DC+/-			MDI3+/-	B1_DD+/-		
	1000	100	10																								
MDI0+/-	B1_DA+/-	TX+/-	TX+/-																								
MDI1+/-	B1_DB+/-	RX+/-	RX+/-																								
MDI2+/-	B1_DC+/-																										
MDI3+/-	B1_DD+/-																										
GBE0_LINK100#	P21	Link Speed Indication LED for GBE0 100Mbps	O OD CMOS	3.3V	Standby		Shall be able to sink 24mA or more Carrier LED current. ⁴																				
GBE0_LINK1000#	P22	Link Speed Indication LED for GBE0 1000Mbps	O OD CMOS	3.3V	Standby		Shall be able to sink 24mA or more Carrier LED current. ⁴																				
GBE0_LINK_ACT#	P25	Link / Activity Indication LED Driven Low on Link (10, 100 or 1000 Mbps) Blinks on Activity	O OD CMOS	3.3V	Standby		Shall be able to sink 24mA or more Carrier LED current. ⁴																				
GBE0_CTREF	P28	Center-Tap Reference Voltage for Carrier Board Ethernet Magnetic (if required by the Module GBE PHY)	Analog	0 to 3.3V max	Standby																						
GBE0_SDP	P6	IEEE 1588 Trigger Signal for Hardware Implementation of PTP (Precision Time Protocol)	I/O CMOS	3.3V	Standby																						

⁴ Needs Carrier based current limiting resistors and LEDs if used. The LED **may** be integrated into a Carrier RJ45 jack. A resistor of 68 ohms and a LED with the anode tied to Carrier 3.3V is typical

GBE1_MDI0+	S17	Differential Pair Signals for External Transformer Carrier Series Termination: Magnetics Module appropriate for 10/100/1000 GBE transceivers Carrier Parallel Termination: Secondary side center tap terminations appropriate for Gigabit Ethernet implementations	I/O GBE MDI		Standby		Gigabit Ethernet Controller 1: Media Dependent Interface Differential Pairs 0, 1, 2, 3. The MDI can operate in 1000, 100, and 10Mbit/sec modes. Some pairs are unused in some modes according to the following: <table style="margin-left: 20px; border: none;"> <tr> <td></td> <td style="text-align: center;">1000</td> <td style="text-align: center;">100</td> <td style="text-align: center;">10</td> </tr> <tr> <td>MDI0+/-</td> <td>B1_DA+/-</td> <td>TX+/-</td> <td>TX+/-</td> </tr> <tr> <td>MDI1+/-</td> <td>B1_DB+/-</td> <td>RX+/-</td> <td>RX+/-</td> </tr> <tr> <td>MDI2+/-</td> <td>B1_DC+/-</td> <td></td> <td></td> </tr> <tr> <td>MDI3+/-</td> <td>B1_DD+/-</td> <td></td> <td></td> </tr> </table>		1000	100	10	MDI0+/-	B1_DA+/-	TX+/-	TX+/-	MDI1+/-	B1_DB+/-	RX+/-	RX+/-	MDI2+/-	B1_DC+/-			MDI3+/-	B1_DD+/-		
	1000							100	10																		
MDI0+/-	B1_DA+/-							TX+/-	TX+/-																		
MDI1+/-	B1_DB+/-							RX+/-	RX+/-																		
MDI2+/-	B1_DC+/-																										
MDI3+/-	B1_DD+/-																										
GBE1_MDI0-	S18																										
GBE1_MDI1+	S20																										
GBE1_MDI1-	S21																										
GBE1_MDI2+	S23																										
GBE1_MDI2-	S24																										
GBE1_MDI3+	S26																										
GBE1_MDI3-	S27																										
GBE1_LINK100#	S19	Link Speed Indication LED for GBE1 100Mbps	O OD CMOS	3.3V	Standby		Shall be able to sink 24mA or more Carrier LED current. ⁴																				
GBE1_LINK1000#	S22	Link Speed Indication LED for GBE1 1000Mbps	O OD CMOS	3.3V	Standby		Shall be able to sink 24mA or more Carrier LED current. ⁴																				
GBE1_LINK_ACT#	S31	Link / Activity Indication LED Driven Low on Link (10, 100 or 1000 Mbps) Blinks on Activity	O OD CMOS	3.3V	Standby		Shall be able to sink 24mA or more Carrier LED current. ⁴																				
GBE1_CTREF	S28	Center-Tap Reference Voltage for Carrier Board Ethernet Magnetic (if required by the Module GBE PHY)	Analog	0 to 3.3V max	Standby																						
GBE1_SDP	P5	IEEE 1588 Trigger Signal for Hardware Implementation of PTP (Precision Time Protocol)	I/O CMOS	3.3V	Standby																						

Table 37: Ethernet Signals GBE0 and GBE1

3.19 Watchdog

Signal Name	Pin #	Description	I/O Type	I/O Level	Power Domain	PU / PD	Comments
WDT_TIME_OUT#	S145	Watch-Dog-Timer Output, low active	O CMOS	1.8V	Runtime		

Table 38: Watchdog Signals

3.20 GPIO

14 Module pins are allocated for GPIO (general purpose input / output) use. All pins **should** be capable of bi-directional operation.

At Module power-up, the state of the GPIO pins **may not** be defined, and **may** briefly be configured in the “wrong” state, before boot loader code corrects them. Carrier designers **should** be aware of this and plan accordingly. Module designers **should** generally choose pins that are tri-stated or are inputs during power up and reset, but this **may not** always be the case.

All GPIO pins **should** be weakly pulled up to 1.8V. If the pull-ups are implemented as discrete resistors, or resistor packs, a value of 470k **should** be used. SOC internal pull-up / current source features **may** be used instead of external resistors.

All GPIO pins **shall** be capable of generating interrupts. The interrupt characteristics (edge or level sensitivity, polarity) are generally configurable in the SOC register set.

Signal Name	Pin #	Description	I/O Type	I/O Level	Power Domain	PU / PD	Comments
GPIO0	P108	GPIO Pin 0 Preferred Output	I/O CMOS	1.8V	Runtime	PU 470k ⁵	Alternative use: CAM0_PWR#
GPIO1	P109	GPIO Pin 1 Preferred Output	I/O CMOS	1.8V	Runtime	PU 470k ⁵	Alternative use: CAM1_PWR#
GPIO2	P110	GPIO Pin 2 Preferred Output	I/O CMOS	1.8V	Runtime	PU 470k ⁵	Alternative use: CAM0_RST#
GPIO3	P111	GPIO Pin 3 Preferred Output	I/O CMOS	1.8V	Runtime	PU 470k ⁵	Alternative use: CAM1_RST#
GPIO4	P112	GPIO Pin 4 Preferred Output	I/O CMOS	1.8V	Runtime	PU 470k ⁵	Alternative use: HDA_RST#
GPIO5	P113	GPIO Pin 5 Preferred Output	I/O CMOS	1.8V	Runtime	PU 470k ⁵	Alternative use: PWM_OUT
GPIO6	P114	GPIO Pin 6 Preferred Input	I/O CMOS	1.8V	Runtime	PU 470k ⁵	Alternative use: TACHIN
GPIO7	P115	GPIO Pin 7 Preferred Input	I/O CMOS	1.8V	Runtime	PU 470k ⁵	
GPIO8	P116	GPIO Pin 8 Preferred Input	I/O CMOS	1.8V	Runtime	PU 470k ⁵	
GPIO9	P117	GPIO Pin 9 Preferred Input	I/O CMOS	1.8V	Runtime	PU 470k ⁵	
GPIO10	P118	GPIO Pin 10 Preferred Input	I/O CMOS	1.8V	Runtime	PU 470k ⁵	
GPIO11	P119	GPIO Pin 11 Preferred Input	I/O CMOS	1.8V	Runtime	PU 470k ⁵	
GPIO12	S142	GPIO Pin 12 Preferred Input	I/O CMOS	1.8V	Runtime	PU 470k ⁵	
GPIO13	S123	GPIO Pin 13 Preferred Input	I/O CMOS	1.8V	Runtime	PU 470k ⁵	

Table 39: GPIO Signals

⁵ SMARC Spec also allows for SoC integrated Pull-Ups, these can be $\geq 20k$. Max 2.2k PD should be implemented on Carrier if a low level needs to be ensured.

3.20.1 Alternative GPIO Pin Usage

Signal Name	Pin #	Description	I/O Type	I/O Level	Power Domain	PU / PD	Comments
CAM0_PWR#	P108	Camera 0 Power Enable, Active Low Output	O CMOS	1.8V	Runtime	PU 470k	
CAM1_PWR#	P109	Camera 1 Power Enable, Active Low Output	O CMOS	1.8V	Runtime	PU 470k	
CAM0_RST#	P110	Camera 0 Reset, Active Low Output	O CMOS	1.8V	Runtime	PU 470k	
CAM1_RST#	P111	Camera 1 Reset, Active Low Output	O CMOS	1.8V	Runtime	PU 470k	
HDA_RST#	P112	HD Audio Reset, Active Low Output	O CMOS	1.8V	Runtime	PU 470k	
PWM_OUT	P113	Fan Speed Control	O CMOS	1.8V	Runtime	PU 470k	Uses the Pulse Width Modulation (PWM) technique to control the fan's RPM.
TACHIN	P114	Fan Tachometer Input	I CMOS	1.8V	Runtime	PU 470k	

Table 40: Alternative Use of GPIO Signals

3.20.2 GPIO Pin Sharing

Pin #	GPIO Signal Name	Alternative Use
P108	GPIO0	CAM0_PWR#
P109	GPIO1	CAM1_PWR#
P110	GPIO2	CAM0_RST#
P111	GPIO3	CAM1_RST#
P112	GPIO4	HDA_RST#
P113	GPIO5	PWM_OUT
P114	GPIO6	TACHIN

Table 41: GPIO Pin Sharing

3.21 Management Pins

The input pins listed in this table are all active low and are meant to be driven by OD (open drain) devices on the Carrier. The Carrier either floats the line or drives it to GND. No Carrier pull-ups are needed. The pull-up functions are performed on the Module. The voltage rail that these lines are pulled to on the Module varies, depending on the design, and **may** be anywhere from 1.8V to 5V.

Switches to GND **may** be used instead of OD drivers for lines such as PWR_BTN# and RESET_IN#.

Signal Name	Pin #	Description	I/O Type	I/O Level	Power Domain	PU / PD	Comments
BATLOW#	S156	Battery low indication to Module. Carrier to float the line in inactive state.	I OD CMOS	1.8 to 5 V	Standby/Sleep	PU 10k	Driven by OD on Carrier.
CARRIER_PWR_ON	S154	Carrier Board circuits (apart from power management and power path circuits) should not be powered up until the Module asserts the CARRIER_PWR_ON signal.	O CMOS	1.8V	Standby		On x86 designs this pin should utilize a standby related power signal i.e. RSM_RST# or SLP_A# signal.
CARRIER_STBY#	S153	The Module shall drive this signal low when the system is in a standby power state.	O CMOS	1.8V	Standby		On x86 designs this pin should utilize the SUS_S3# signal.
CHARGER_PRSENT#	S152	Held low by Carrier if DC input for battery charger is present.	I OD CMOS	1.8 to 5 V	Standby/Sleep	PU 10k	Driven by OD on Carrier.
CHARGING#	S151	Held low by Carrier during battery charging. Carrier to float the line when charge is complete.	I OD CMOS	1.8 to 5 V	Standby/Sleep	PU 10k	Driven by OD on Carrier.
VIN_PWR_BAD#	S150	Power bad indication from Carrier Board. Module and Carrier power supplies (other than Module and Carrier power supervisory circuits) shall not be enabled while this signal is held low by the Carrier.	I OD CMOS	VDD_IN		PU 10k	Module must implement PU but actual value is depended on particular Module design. Driven by OD on Carrier
SLEEP#	S149	Sleep indicator from Carrier Board. May be sourced from user Sleep button or Carrier logic. Carrier to float the line in in-active state. Active low, level sensitive. Should be de-bounced on the Module.	I OD CMOS	1.8 to 5V	Standby	PU 10k	Driven by OD on Carrier.

Signal Name	Pin #	Description	I/O Type	I/O Level	Power Domain	PU / PD	Comments
LID#	S148	Lid open/close indication to Module. Low indicates lid closure (which system may use to initiate a sleep state). Carrier to float the line in in-active state. Active low, level sensitive. Should be de-bounced on the Module.	I OD CMOS	1.8 to 5 V	Standby	PU 10k	Driven by OD on Carrier.
POWER_BTN#	P128	Power-button input from Carrier Board. Carrier to float the line in in-active state. Active low, level sensitive. Should be debounced on the Module.	I OD CMOS	1.8 to 5 V	Sleep	PU 10k	Driven by OD on Carrier.
RESET_OUT#	P126	General purpose reset output to Carrier Board.	O CMOS	1.8V	Standby		
RESET_IN#	P127	Reset input from Carrier Board. Carrier drives low to force a Module reset, floats the line otherwise. This signal Shall be level triggered during bootup to allow to stop booting of the module. After bootup it May act as an edge triggered signal.	I OD CMOS	1.8 to 5 V	Standby	PU 10k	Driven by OD on Carrier.
I2C_PM_DAT	P122	Power management I2C bus DATA	I/O OD CMOS	1.8V	Standby/Sleep	PU 2k2	On x86 systems these serve as SMB DATA.
I2C_PM_CLK	P121	Power management I2C bus CLK	I/O OD CMOS	1.8V	Standby/Sleep	PU 2k2	On x86 systems these serve as SMB CLK.
SMB_ALERT#	P1	SMBus Alert# (Interrupt) Signal	I OD CMOS	1.8 to 5 V	Standby/Sleep	PU 2k2	
TEST#	S157	Held Low by Carrier to Invoke Module Vendor Specific Test Functions	I OD CMOS	1.8 to 5 V	Standby/Sleep	PU vendor specific value	Module must implement PU but actual value is depended on particular Module design. Carrier Board should leave this pin floating for normal operation. Driven by OD on Carrier

Table 42: Management Signals

3.22 Boot Select

Three Module pins allow the Carrier Board user to select from eight possible boot devices. Three are Module devices, and four are Carrier devices, and one is a remote device. The pins **shall** be weakly pulled up on the Module and the pin states decoded by Module logic. The Carrier **shall** either leave the Module pin Not Connected (“Float” in the table below) or **shall** pull the pin to GND, per the second table below.

A “Force Recovery” provision exists, per the pin description below.

Signal Name	Pin #	Description	I/O Type	I/O Level	Power Domain	PU / PD	Comments
BOOT_SEL0# BOOT_SEL1# BOOT_SEL2#	P123 P124 P125	Input straps determine the Module boot device.	I OD CMOS	1.8V	Standby	PU 10k	Driven by OD on Carrier.
FORCE_RECOV#	S155	Low on this pin allows non-protected segments of Module boot device to be rewritten / restored from an external USB Host on Module USB0. The Module USB0 operates in Client Mode when in the Force Recovery function is invoked. Pulled high on the Module. For SOCs that do not implement a USB based Force Recovery functions, then a low on the Module FORCE_RECOV# pin may invoke the SOC native Force Recovery mode – such as over a Serial Port. For x86 systems this signal may be used to load BIOS defaults. Pulled up on Module. Driven by OD part on Carrier.	I OD CMOS	1.8V	Standby	PU 10k	Driven by OD on Carrier.

Table 43: Boot Select Signals

	Carrier Connection			Boot Source
	BOOT_SEL2#	BOOT_SEL1#	BOOT_SEL0#	
0	GND	GND	GND	Carrier SATA
1	GND	GND	Float	Carrier SD Card
2	GND	Float	GND	Carrier eSPI (CS0#)
3	GND	Float	Float	Carrier SPI (CS0#)
4	Float	GND	GND	Module device (NAND, NOR) – vendor specific
5	Float	GND	Float	Remote boot (GBE, serial) – vendor specific
6	Float	Float	GND	Module eMMC Flash
7	Float	Float	Float	Module SPI

Table 44: Control of Boot Sources

Note: The boot sources shown above are Module options, and **may not** be available on all Module designs.

The definition of “boot” is left to the Module designer. Some designs **may** literally implement some or all of the table above, such that the first off-SOC code fetches come from the devices listed above. Alternatively, some designs **may** always fetch the first few off-SOC instructions from a fixed device, likely a SPI Flash EEPROM, and then re-direct the execution to another device per the table above.

3.23 Power and GND

See section 6 'Module Power' on page 85 for details on input voltages and power sequencing.

Signal Name	Pin #	Description	I/O Type	I/O Level	Power Domain	PU / PD	Comments
VDD_IN	P147, P148, P149, P150, P151, P152, P153, P154, P155, P156	Module power input voltage - 3.0V min to 5.25V max	Analog	3.0V to 5.25V			
GND	P2, P9, P12, P15, P18, P32, P38, P47, P50, P53, P59, P68, P79, P82, P85, P88, P91, P94, P97, P100, P103, P120, P133, P142, S3, S10, S16, S25, S34, S47, S61, S64, S67, S70, S73, S80, S83, S86, S89, S92, S101, S110, S119, S124, S130, S136, S143, S158	Module signal and power return, and GND reference	Analog	Ground			
VDD_RTC	S147	Low current RTC circuit backup power – 3.0V nominal. May be sourced from a Carrier based lithium cell or super cap.	Analog	2.0V to 3.25V			

Table 45: Power Signals

3.24 JTAG

A CPU JTAG interface **may** be implemented on the Module, using a small form factor R/A SMT connector. The JTAG pins are used to allow test equipment and circuit emulators to have access to the Module CPU. The pin-out shown below **may** be used:

Signal Name	Pin #	Description	I/O Type	I/O Level	Comments
VDD_JTAG	1	JTAG I/O Voltage (sourced by Module)		1.8 to 3.3V	Voltage level depends on the used SOC. Check implementation details with module vendor. A JTAG adapter might use this voltage to adapt the required JTAG signal levels.
JTAG_TRST#	2	JTAG reset, active low	I CMOS	VDD_JTAG	
JTAG_TMS	3	JTAG mode select	I CMOS	VDD_JTAG	
JTAG_TDO	4	JTAG data out	O CMOS	VDD_JTAG	
JTAG_TDI	5	JTAG data in	I CMOS	VDD_JTAG	
JTAG_TCK	6	JTAG clock	I CMOS	VDD_JTAG	
JTAG_RTCK	7	JTAG return clock	I CMOS	VDD_JTAG	
JTAG_RESET_IN#	8	Pulled high at module	I OD CMOS	VDD_JTAG	
MFG_MODE#	9	Pulled low to allow in-circuit SPI ROM update	I CMOS	VDD_JTAG	Pulled low to allow in-circuit SPI ROM update
GND	10				

Table 46: JTAG Signals

The Module JTAG connector **may** be implemented with a JST SH series 1mm pitch R/A wire mount header (JST SM10B-SRSS-TB). FCI 10051922-1010EHLF, SUNFUN Technology LTDFDS0520-10-11Z, Most Well Technology Corp. MWAFC07-S10-FBA-HFSMARC 2.1JTAG

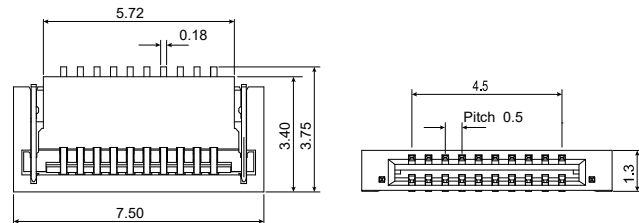


Figure 3: JTAG Connector

3.25 Module Terminations

3.25.1 General

The required Carrier and Module terminations and the component values are described in the signal tables above, although the final decision on specific component values and types is left to the Module designer.

SMARC Module pins of unused features *may* be left un-connected.

4 MODULE PIN-OUT MAP

4.1 Module Pin-Out

P-PIN	Primary (Top) Side
P1	SMB_ALERT#
P2	GND
P3	CSI1_CK+
P4	CSI1_CK-
P5	GBE1_SDP
P6	GBE0_SDP
P7	CSI1_RX0+
P8	CSI1_RX0-
P9	GND
P10	CSI1_RX1+
P11	CSI1_RX1-
P12	GND
P13	CSI1_RX2+
P14	CSI1_RX2-
P15	GND
P16	CSI1_RX3+
P17	CSI1_RX3-
P18	GND
P19	GBE0_MDI3-
P20	GBE0_MDI3+
P21	GBE0_LINK100#
P22	GBE0_LINK1000#
P23	GBE0_MDI2-
P24	GBE0_MDI2+
P25	GBE0_LINK_ACT#
P26	GBE0_MDI1-

S-Pin	Secondary (Bottom) Side
	⁶
S1	CSI1_TX+ / I2C_CAM1_CK
S2	CSI1_TX- / I2C_CAM1_DAT
S3	GND
S4	RSVD
S5	CSI0_TX+ / I2C_CAM0_CK
S6	CAM_MCK
S7	CSI0_TX- / I2C_CAM0_DAT
S8	CSI0_CK+
S9	CSI0_CK-
S10	GND
S11	CSI0_RX0+
S12	CSI0_RX0-
S13	GND
S14	CSI0_RX1+
S15	CSI0_RX1-
S16	GND
S17	GBE1_MDI0+
S18	GBE1_MDI0-
S19	GBE1_LINK100#
S20	GBE1_MDI1+
S21	GBE1_MDI1-
S22	GBE1_LINK1000#
S23	GBE1_MDI2+
S24	GBE1_MDI2-
S25	GND
S26	GBE1_MDI3+
S27	GBE1_MDI3-

⁶ Shielding should be provided on the Carrier Board close to the Pins S1 and S75 as differential pairs need ground or static signals right and left.

P-PIN	Primary (Top) Side
P27	GBE0_MDI1+
P28	GBE0_CTREF
P29	GBE0_MDI0-
P30	GBE0_MDI0+
P31	SPI0_CS1#
P32	GND
P33	SDIO_WP
P34	SDIO_CMD
P35	SDIO_CD#
P36	SDIO_CK
P37	SDIO_PWR_EN
P38	GND
P39	SDIO_D0
P40	SDIO_D1
P41	SDIO_D2
P42	SDIO_D3
P43	SPI0_CS0#
P44	SPI0_CK
P45	SPI0_DIN
P46	SPI0_DO
P47	GND
P48	SATA_TX+
P49	SATA_TX-
P50	GND
P51	SATA_RX+
P52	SATA_RX-
P53	GND
P54	ESPI_CS0# / SPI1_CS0# / QSPI_CS0#
P55	ESPI_CS1# / SPI1_CS1# / QSPI_CS1#
P56	ESPI_CK / SPI1_CK / QSPI_CK
P57	ESPI_IO_1 / SPI1_DIN / QSPI_IO_1
P58	ESPI_IO_0 / SPI1_DO / QSPI_IO_0
P59	GND
P60	USB0+

S-Pin	Secondary (Bottom) Side
S28	GBE1_CTREF
S29	PCIE_D_TX+ / SERDES_0_TX+
S30	PCIE_D_TX- / SERDES_0_TX-
S31	GBE1_LINK_ACT#
S32	PCIE_D_RX+ / SERDES_0_RX+
S33	PCIE_D_RX- / SERDES_0_RX-
S34	GND
S35	USB4+
S36	USB4-
S37	USB3_VBUS_DET
S38	AUDIO_MCK
S39	I2S0_LRCK
S40	I2S0_SDOUT
S41	I2S0_SDIN
S42	I2S0_CK
S43	ESPI_ALERT0#
S44	ESPI_ALERT1#
S45	MDIO_CLK
S46	MDIO_DAT
S47	GND
S48	I2C_GP_CK
S49	I2C_GP_DAT
S50	HDA_SYNC / I2S2_LRCK
S51	HDA_SDO / I2S2_SDOUT
S52	HDA_SDI / I2S2_SDIN
S53	HDA_CK / I2S2_CK
S54	SATA_ACT#
S55	USB5_EN_OC#
S56	ESPI_IO_2 / QSPI_IO_2
S57	ESPI_IO_3 / QSPI_IO_3
S58	ESPI_RESET#
S59	USB5+
S60	USB5-
S61	GND

P-PIN	Primary (Top) Side
P61	USB0-
P62	USB0_EN_OC#
P63	USB0_VBUS_DET
P64	USB0_OTG_ID
P65	USB1+
P66	USB1-
P67	USB1_EN_OC#
P68	GND
P69	USB2+
P70	USB2-
P71	USB2_EN_OC#
P72	RSVD
P73	RSVD
P74	USB3_EN_OC#
	Key
P75	PCIE_A_RST#
P76	USB4_EN_OC#
P77	PCIE_B_CKREQ#
P78	PCIE_A_CKREQ#
P79	GND
P80	PCIE_C_REFCK+
P81	PCIE_C_REFCK-
P82	GND
P83	PCIE_A_REFCK+
P84	PCIE_A_REFCK-
P85	GND
P86	PCIE_A_RX+
P87	PCIE_A_RX-
P88	GND
P89	PCIE_A_TX+

S-Pin	Secondary (Bottom) Side
S62	USB3_SSTX+
S63	USB3_SSTX-
S64	GND
S65	USB3_SSRX+
S66	USB3_SSRX-
S67	GND
S68	USB3+
S69	USB3-
S70	GND
S71	USB2_SSTX+
S72	USB2_SSTX-
S73	GND
S74	USB2_SSRX+
S75	USB2_SSRX-
	Key⁷
S76	PCIE_B_RST#
S77	PCIE_C_RST#
S78	PCIE_C_RX+ / SERDES_1_RX+
S79	PCIE_C_RX- / SERDES_1_RX-
S80	GND
S81	PCIE_C_TX+ / SERDES_1_TX+
S82	PCIE_C_TX- / SERDES_1_TX-
S83	GND
S84	PCIE_B_REFCK+
S85	PCIE_B_REFCK-
S86	GND
S87	PCIE_B_RX+
S88	PCIE_B_RX-
S89	GND
S90	PCIE_B_TX+

⁷ Shielding should be provided on the Carrier Board close to the Pins S1 and S75 as differential pairs need ground or static signals right and left.

P-PIN	Primary (Top) Side
P90	PCIE_A_TX-
P91	GND
P92	HDMI_D2+ / DP1_LANE0+
P93	HDMI_D2- / DP1_LANE0-
P94	GND
P95	HDMI_D1+ / DP1_LANE1+
P96	HDMI_D1- / DP1_LANE1-
P97	GND
P98	HDMI_D0+ / DP1_LANE2+
P99	HDMI_D0- / DP1_LANE2-
P100	GND
P101	HDMI_CK+ / DP1_LANE3+
P102	HDMI_CK- / DP1_LANE3-
P103	GND
P104	HDMI_HPD / DP1_HPD
P105	HDMI_CTRL_CK / DP1_AUX+
P106	HDMI_CTRL_DAT / DP1_AUX-
P107	DP1_AUX_SEL
P108	GPIO0 / CAM0_PWR#
P109	GPIO1 / CAM1_PWR#
P110	GPIO2 / CAM0_RST#
P111	GPIO3 / CAM1_RST#
P112	GPIO4 / HDA_RST#
P113	GPIO5 / PWM_OUT
P114	GPIO6 / TACHIN
P115	GPIO7
P116	GPIO8
P117	GPIO9
P118	GPIO10
P119	GPIO11
P120	GND
P121	I2C_PM_CK
P122	I2C_PM_DAT
P123	BOOT_SEL0#

S-Pin	Secondary (Bottom) Side
S91	PCIE_B_TX-
S92	GND
S93	DP0_LANE0+
S94	DP0_LANE0-
S95	DP0_AUX_SEL
S96	DP0_LANE1+
S97	DP0_LANE1-
S98	DP0_HPD
S99	DP0_LANE2+
S100	DP0_LANE2-
S101	GND
S102	DP0_LANE3+
S103	DP0_LANE3-
S104	USB3_OTG_ID
S105	DP0_AUX+
S106	DP0_AUX-
S107	LCD1_BKLT_EN
S108	LVDS1_CK+ / eDP1_AUX+ / DSI1_CLK+
S109	LVDS1_CK- / eDP1_AUX- / DSI1_CLK-
S110	GND
S111	LVDS1_0+ / eDP1_TX0+ / DSI1_D0+
S112	LVDS1_0- / eDP1_TX0- / DSI1_D0-
S113	eDP1_HPD / DSI1_TE
S114	LVDS1_1+ / eDP1_TX1+ / DSI1_D1+
S115	LVDS1_1- / eDP1_TX1- / DSI1_D1-
S116	LCD1_VDD_EN
S117	LVDS1_2+ / eDP1_TX2+ / DSI1_D2+
S118	LVDS1_2- / eDP1_TX2- / DSI1_D2-
S119	GND
S120	LVDS1_3+ / eDP1_TX3+ / DSI1_D3+
S121	LVDS1_3- / eDP1_TX3- / DSI1_D3-
S122	LCD1_BKLT_PWM
S123	GPIO13
S124	GND

P-PIN	Primary (Top) Side
P124	BOOT_SEL1#
P125	BOOT_SEL2#
P126	RESET_OUT#
P127	RESET_IN#
P128	POWER_BTN#
P129	SER0_TX
P130	SER0_RX
P131	SER0_RTS#
P132	SER0_CTS#
P133	GND
P134	SER1_TX
P135	SER1_RX
P136	SER2_TX
P137	SER2_RX
P138	SER2_RTS#
P139	SER2_CTS#
P140	SER3_TX
P141	SER3_RX
P142	GND
P143	CAN0_TX
P144	CAN0_RX
P145	CAN1_TX
P146	CAN1_RX
P147	VDD_IN
P148	VDD_IN
P149	VDD_IN
P150	VDD_IN
P151	VDD_IN
P152	VDD_IN
P153	VDD_IN
P154	VDD_IN
P155	VDD_IN
P156	VDD_IN

S-Pin	Secondary (Bottom) Side
S125	LVDS0_0+ / eDP0_TX0+ / DSI0_D0+
S126	LVDS0_0- / eDP0_TX0- / DSI0_D0-
S127	LCD0_BKLT_EN
S128	LVDS0_1+ / eDP0_TX1+ / DSI0_D1+
S129	LVDS0_1- / eDP0_TX1- / DSI0_D1-
S130	GND
S131	LVDS0_2+ / eDP0_TX2+ / DSI0_D2+
S132	LVDS0_2- / eDP0_TX2- / DSI0_D2-
S133	LCD0_VDD_EN
S134	LVDS0_CK+ / eDP0_AUX+ / DSI0_CLK+
S135	LVDS0_CK- / eDP0_AUX- / DSI0_CLK-
S136	GND
S137	LVDS0_3+ / eDP0_TX3+ / DSI0_D3+
S138	LVDS0_3- / eDP0_TX3- / DSI0_D3-
S139	I2C_LCD_CK
S140	I2C_LCD_DAT
S141	LCD0_BKLT_PWM
S142	GPIO12
S143	GND
S144	eDP0_HPD / DSI0_TE
S145	WDT_TIME_OUT#
S146	PCIE_WAKE#
S147	VDD_RTC
S148	LID#
S149	SLEEP#
S150	VIN_PWR_BAD#
S151	CHARGING#
S152	CHARGER_PRSNT#
S153	CARRIER_STBY#
S154	CARRIER_PWR_ON
S155	FORCE_RECOV#
S156	BATLOW#
S157	TEST#
S158	GND

5 MECHANICAL DEFINITIONS

5.1 Carrier Connector

The Carrier Board connector is a 314 pin 0.5mm pitch right angle part designed for use with 1.2mm thick mating PCBs with the appropriate edge finger pattern. The connector is commonly used for MXM3 graphics cards. The SMARC Module uses the connector in a way quite different from the MXM3 usage.

Vendor	Vendor P/N	Stack Height	Body Height	Contact Plating	Pin Style	Body Color	Notes
Foxconn	AS0B821-S43B - *H	1.5mm	4.3mm	Flash	Std	Black	
Foxconn	AS0B821-S43N - *H	1.5mm	4.3mm	Flash	Std	Ivory	
Foxconn	AS0B826-S43B - *H	1.5mm	4.3mm	10 u-in	Std	Black	
Foxconn	AS0B826-S43N - *H	1.5mm	4.3mm	10 u-in	Std	Ivory	
JAE	MM70-314B2-1-R500	1.5mm	4.3mm	0.1 u-meter	Std	Black	
Aces	91781-314 2 8-001	2.7mm	5.2mm	3 u-in	Std	Black	
Foxconn	AS0B821-S55B - *H	2.7mm	5.5mm	Flash	Std	Black	
Foxconn	AS0B821-S55N - *H	2.7mm	5.5mm	Flash	Std	Ivory	
Foxconn	AS0B826-S55B - *H	2.7mm	5.5mm	10 u-in	Std	Black	
Foxconn	AS0B826-S55N - *H	2.7mm	5.5mm	10 u-in	Std	Ivory	
Foxconn	AS0B821-S78B - *H	5.0mm	7.8mm	Flash	Std	Black	
Foxconn	AS0B821-S78N - *H	5.0mm	7.8mm	Flash	Std	Ivory	
Foxconn	AS0B826-S78B - *H	5.0mm	7.8mm	10 u-in	Std	Black	
Foxconn	AS0B826-S78N - *H	5.0mm	7.8mm	10 u-in	Std	Ivory	
Yamaichi	CN113-314-2001	5.0mm	7.8mm	0.3 u-meter	Std	Black	Automotive Grade

Table 48: Carrier Connectors

Other, taller stack heights **may** be available from these and other vendors. Stack heights as tall as 11mm are shown on the Aces web site.

Note: Many of the vendor drawings for the connectors listed above show a PCB footprint pattern for use with an MXM3 graphics card. This footprint, and the associated pin numbering, is not suitable for SMARC use. The MXM3 standard gangs large groups of pins together to provide ~80W capable power paths needed for X86 graphics cards. The SMARC Module “ungangs” these pins to allow more signal pins. Footprint and pin numbering information for application of this 314 pin connector to SMARC is given in the sections below.

5.2 Connector Pin Numbering Convention

The Module pins are designated as P1 – P156 on the Module Primary (Top) side, and S1 – S158 on the Module Secondary (Bottom) side. There is a total of 314 pins on the Module. The connector is sometimes identified as a 321 pin connector, but 7 pins are lost to the key (4 on the primary side and 3 on secondary side).

The Secondary (Bottom) side faces the Carrier Board when a normal or standard Carrier connector is used. Some connector vendors offer “reverse” pin-out connectors, which effectively flip the Module over such that the Module Primary side would face the Carrier Board.

The SMARC Module pins are deliberately numbered as P1 – P156 and S1 – S158 for clarity and to differentiate the SMARC Module from MXM3 graphics Modules, which use the same connector but use the pins for very different functions. MXM3 cards and MXM3 baseboard connectors use a different pin numbering scheme.

5.3 Module Outline – 82x50mm Module

Figure 4 details the 82mm x 50mm Module mechanical attributes, including the pin numbering and edge finger pattern.

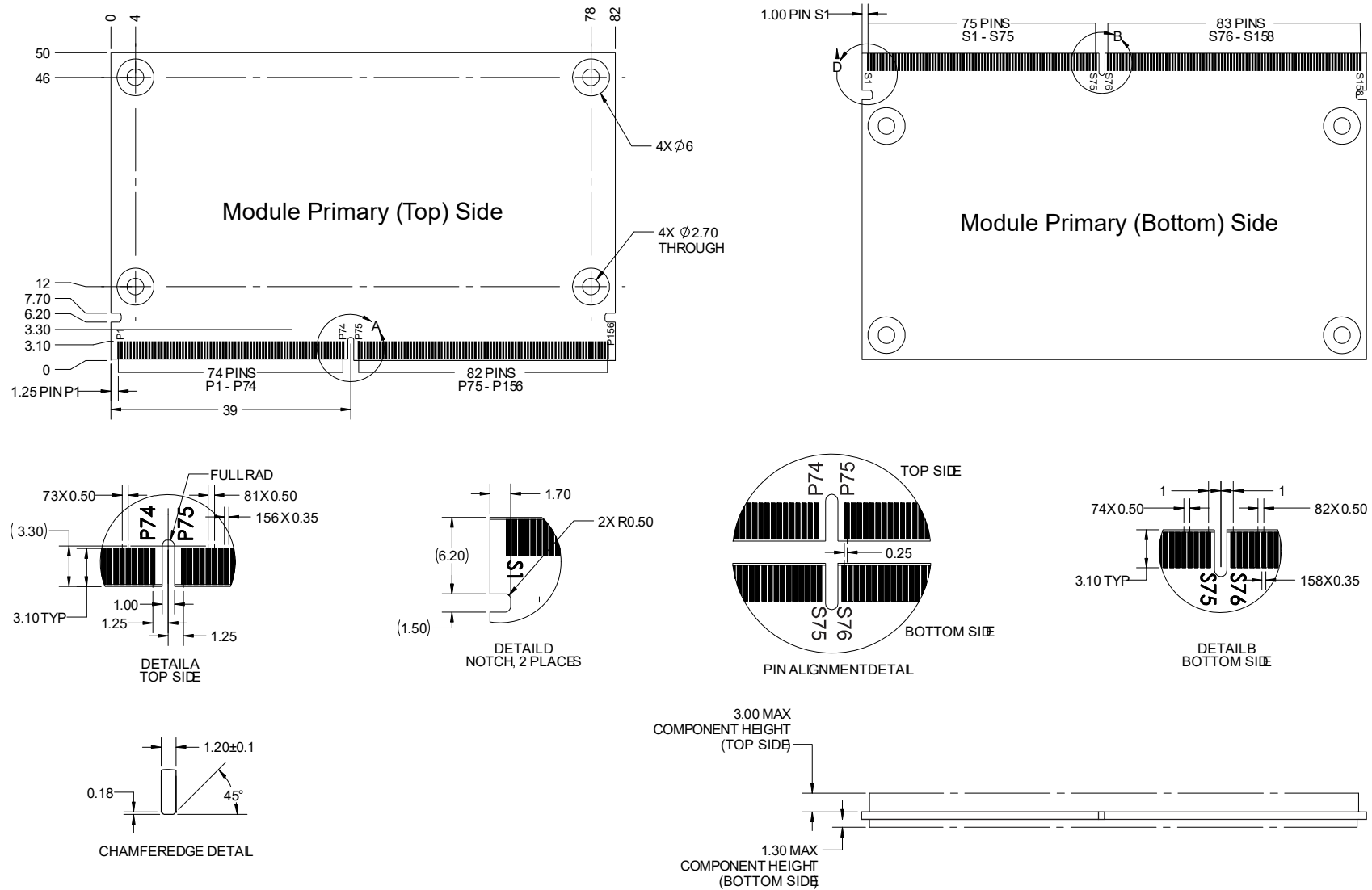


Figure 4: 82x50mm Module Outline

It is recommended that Module components be kept away from the edge fingers, on the top and bottom sides, per the following figure:

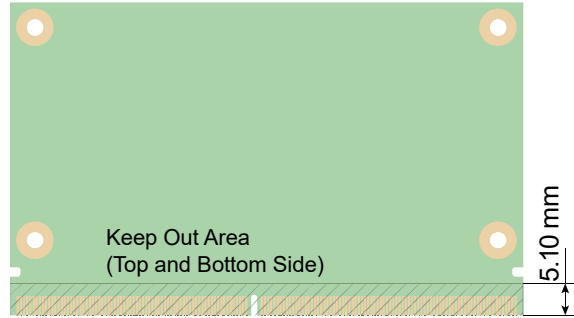


Figure 5: Module Edge Finger Keep Out Area (82x50mm Module)

5.4 Module Outline – 82x80mm Module

The PCB edge finger pattern and spacing details relative to the board edges and lower mounting holes are the same as for the 82mm x 50mm case (see section 5.3 'Module Outline – 82x50mm Module' above), and are not repeated here.

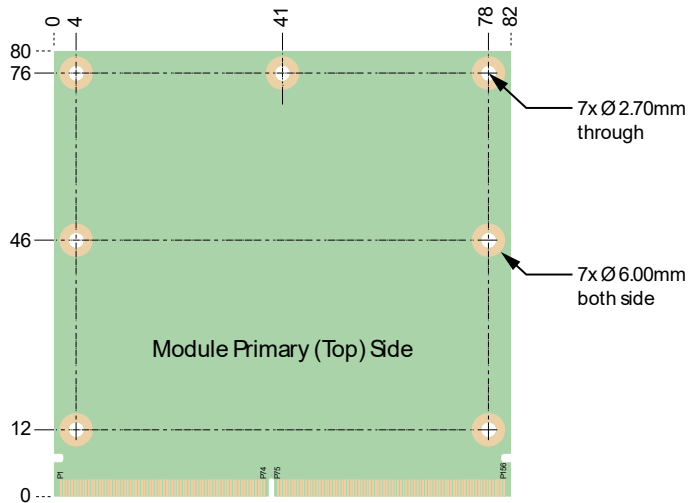


Figure 6: 82x80mm Module Outline

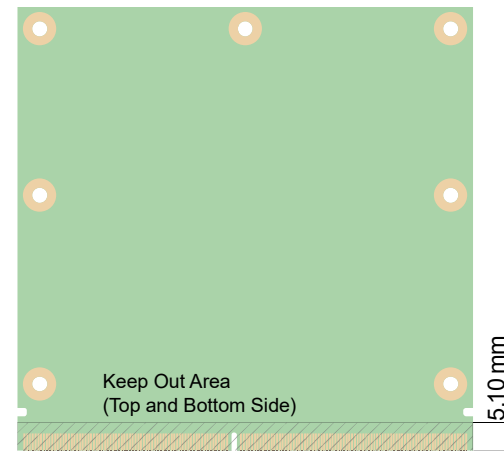


Figure 7: Module Edge Finger Keep Out Area (82x80mm Module)

5.4.1 RF Connector Placement

If onboard wireless technologies are provided the required high frequency antenna connectors **shall** be placed at the described positions on the top side of the Modules. If no wireless technologies are provided this position **may** be used for other components.

u.FL male connectors **should** be used on the Modules. These are miniature RF connectors with an impedance of 50 ohm for antenna applications. U.FL connectors are commonly used for Wi-Fi or GPS in space critical applications. The mated connection is only 2.5 mm high and only requires 3 mm² of board space. u.FL connectors are patented by Hirose but there are many other suppliers offering this connectors.

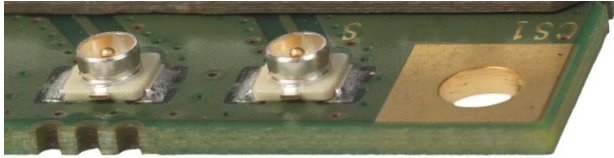


Figure 8: u.FL connector

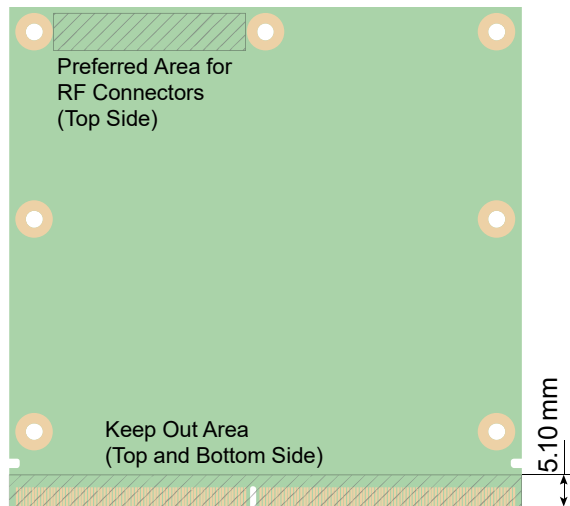


Figure 9: RF connector placement (82x80mm Module)

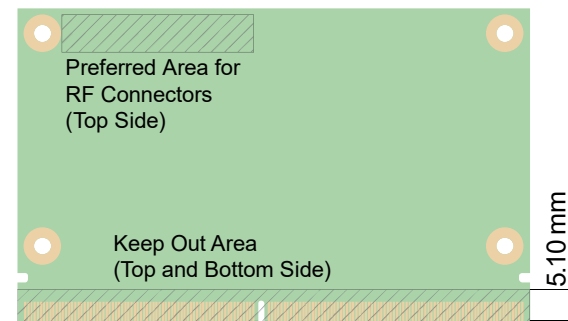


Figure 10: RF connector placement (82x50mm Module)

5.5 Module 'Z' Height Considerations

Note from above that the component height on the Module is restricted to a maximum component height of 3mm on the Module Primary (Top) side and to 1.3mm on the Module Secondary (Bottom) side.

The 1.3mm Secondary side component height restriction allows the Module to be used with 1.5mm stack-height Carrier connectors. When used with 1.5mm stack height connectors, the 'Z' height profile from Carrier Board Top side to tallest Module component is 5.7mm.

When a 1.5mm stack height Carrier Board connector is used, there **shall not** be components on the Carrier Board Top side in the Module region. Additionally, when 1.5mm stack height connectors are used, there **should not** be PCB traces on the Carrier top side in the Module shadow. This is to prevent possible problems with metallic Module heat sink attachment hardware that **may** protrude through the Module.

If Carrier Board components are required in this region, then the Carrier components must be on the Carrier Bottom side, or a taller Module – to – Carrier connector **may** be used. Stack heights of 2.7mm, 3mm, 5mm and up are available.

Not shown in the Figure 11 below are any thermal dissipation components (heat sinks, heat spreaders, etc) nor is fastening hardware (standoffs, spacers, screws, washers, etc) shown. The dimensions of those components must of course be considered in a system design.

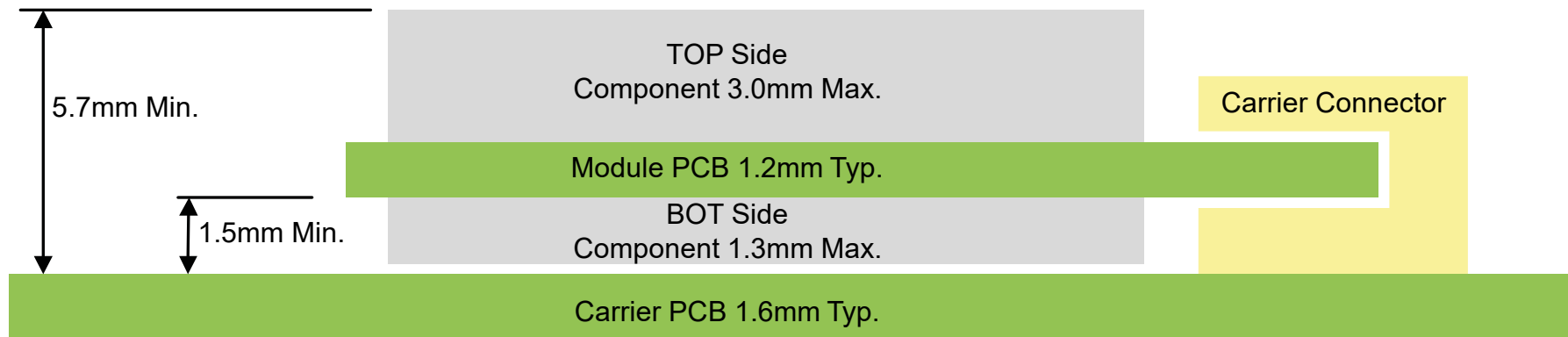


Figure 11: Module Minimum 'Z' Height

Note: There is no clearance defined between heatspreader height and component height. The heatspreader designer, which is usually the module designer has to handle that, e.g. by pockets in the heatspreader.

5.6 Carrier Board Connector PCB Footprint

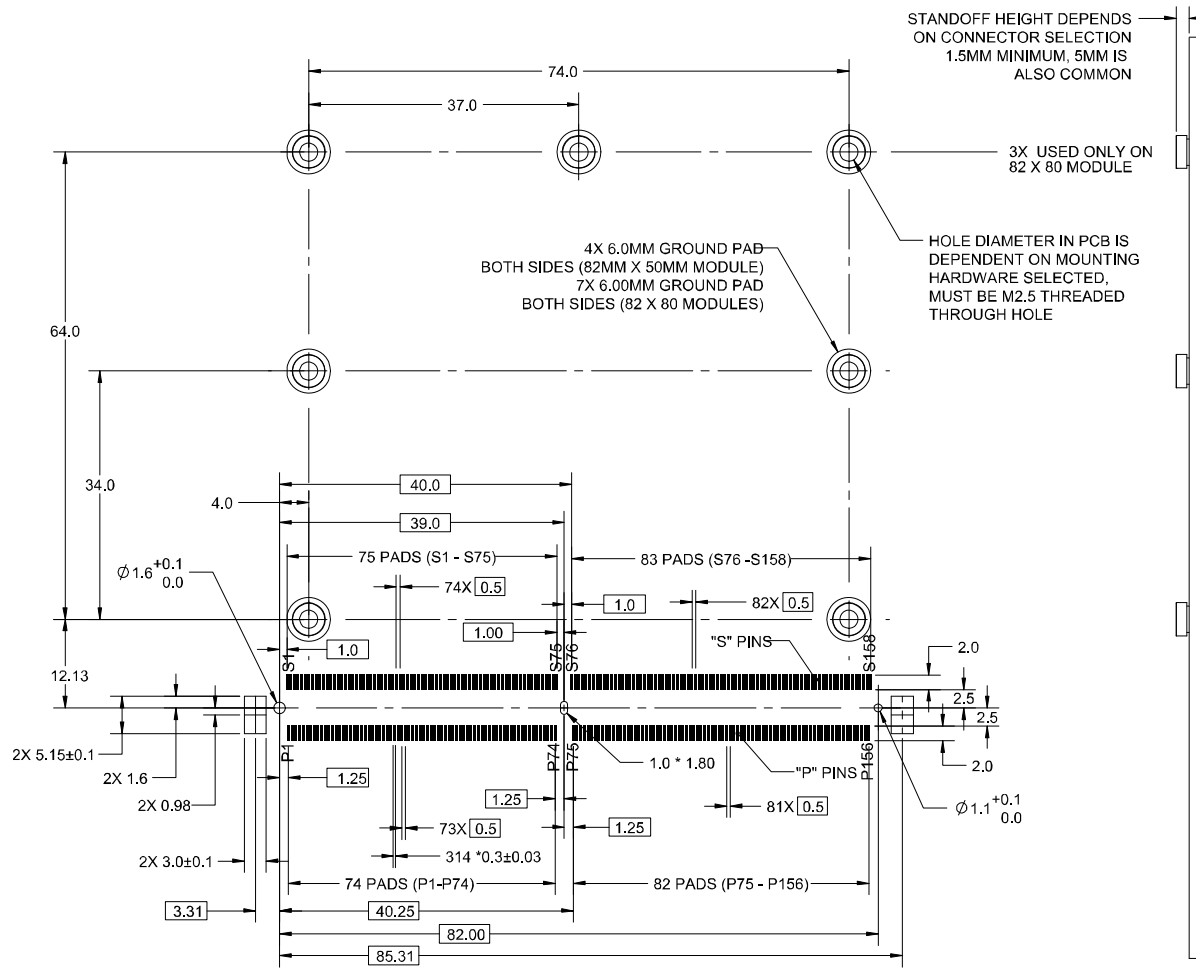


Figure 12: Carrier Board Connector PCB Footprint

Note: The pin numbering shown here is different from the pin numbering used in an MXM3 application. In an SMARC application, all 314 pins of the connector are used individually. The MXM3 power ganging is not used.

Note: The hole diameter for the 4 holes (82mm x 50mm Module) or 7 holes (82mm x 80mm Module) depends on the spacer hardware selection. See the section 5.7 'GND Connection' below for more information.

5.7 GND Connection Mounting Holes

It **shall** be possible to tie all Module and Carrier Board mounting holes to GND. The holes **should** be tied directly to the GND planes, although Module and Carrier designers **may** optionally make the mounting hole GND connections through passive parts, allowing the mounting holes to be isolated from GND if they feel it necessary.

5.8 Carrier Board Standoffs

Standoffs secured to the Carrier Board are expected. The standoffs are to be used with M2.5 hardware. Most implementations will use Carrier Board standoffs that have M2.5 threads (as opposed to clearance holes). A short M2.5 screw and washer, inserted from the Module top side, secures the Module to the Carrier Board threaded standoff.

5.9 Thermal Attachment Points

Attachment points for thermal heat sinks and thermal dissipaters, if needed, are Module design dependent. Thermal hardware **should** be attached to the Module using attachment points other than the Module mounting holes (4 mounting holes for the 82mm x 50mm and 7 mounting holes for the 82mm x 80mm Module). The Module mounting holes **should** be clear for securing the Module to the Carrier.

Having thermal attachment points separate from the Module mounting holes allows the thermal solution to be shipped with the Module, attached to the Module with thermal interface materials applied, and avoids the disassembly of the thermal interface materials when the end-users places the Module their system. The Module mounting holes **may** be used as supplemental thermal attachment points.

5.10 Heat Spreader – 82mm x 50mm Module

A standard heat-spreader plate for use with the SMARC 82mm x 50mm form factor is described below. A standard heat spreader plate definition allows the customer to use a Module from multiple vendors, and the details of the thermal interface to the Module ICs – which can be tricky - becomes the Module designer's problem.

The heat spreader plate is sized at 82mm x 42mm x 3mm, and sits 3mm above the SMARC Module. The heat spreader plate 'Y' dimension is deliberately set at 42mm and not 50mm, to allow the plate to clear the SMARC MXM3 connector. The plate is shown in the Figure 13 below.

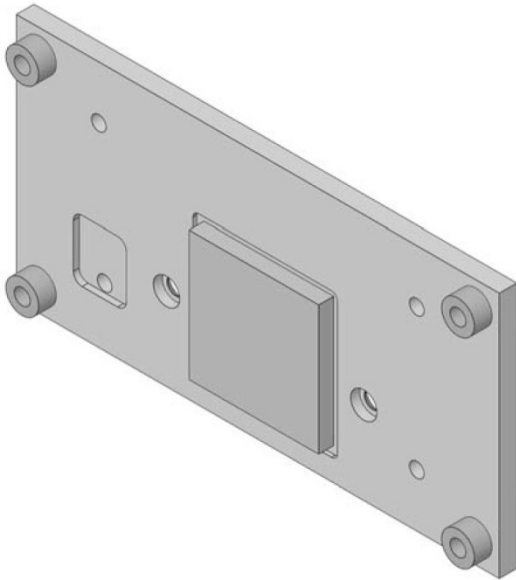


Figure 13: Heat Spreader Isometric View

The internal square in the Figure 13 above is a thermally conductive and mechanically compliant Thermal Interface Material (or "TIM"). The exact X-Y position and Z thickness details of the TIM vary from design to design.

The two holes immediately adjacent to the TIM serve to secure the PCB in the SOC area and compress the TIM.

The four interior holes that are further from the center allow a heat sink to be attached to the heat spreader plate, or they can be used to secure the heat spreader plate to a chassis wall that serves as a heat sink.

Dimensions and further details **may** be found in the Figure 14 'Heat Spreader Plan View' on the following page.

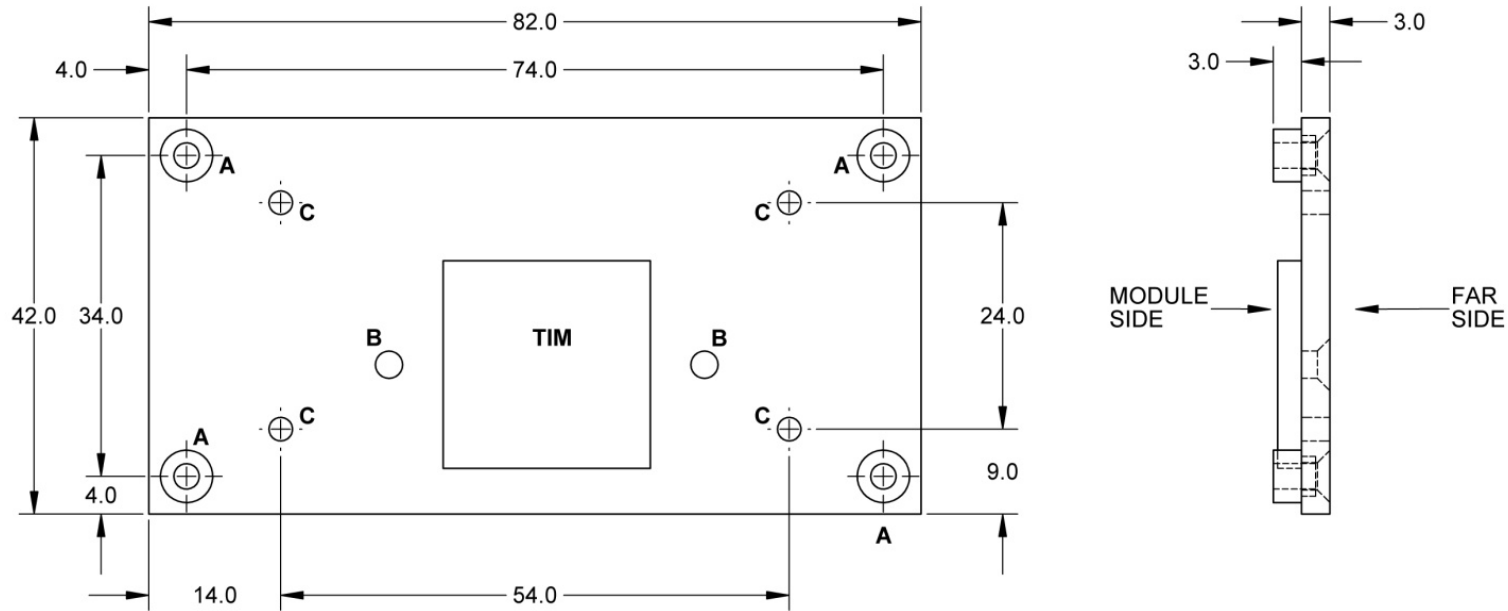


Figure 14: Heat Spreader Plan View

Dimensions in the figure above are in millimeters. “TIM” stands for “Thermal Interface Material”. The TIM takes up the small gap between the SOC top and the Module - facing side of the heat spreader.

Hole Reference	Description	Size
A	<p>SMARC Module corner mounting holes Spacing determined by SMARC specification for 82mm x 50mm Modules. Typically, these holes have 3mm length press fit or swaged clearance standoffs on the Module side. These holes are typically countersunk on the far side of the plate, to allow the heat spreader plate to be flush with a secondary heat sink.</p>	<p>Hole size depends on standoffs used. Standoff diameter must be compatible with SMARC Module mounting hole pad and hole size (6.0mm pads, 2.7mm holes on the Module). The holes and standoffs are for use with M2.5 screw hardware. The far side of these holes are counter-sunk to allow the attachment screw to be flush with the far side heat spreader surface.</p>
B	<p>Design – specific attachment points. The X-Y position, size and finish details of these holes <i>may</i> vary between designs.</p>	<p>Varies, design dependent The far side of these holes are counter-sunk to allow the attachment screw to be flush with the far side heat spreader surface.</p>
C	<p>Fixed location holes to allow the attachment of a heat sink to the heat spreader, or to allow the heat spreader to be secured to a chassis wall that can serve as a heat sink.</p>	<p>M3 threaded holes</p>

Table 49: Heat Spreader Hole Reference

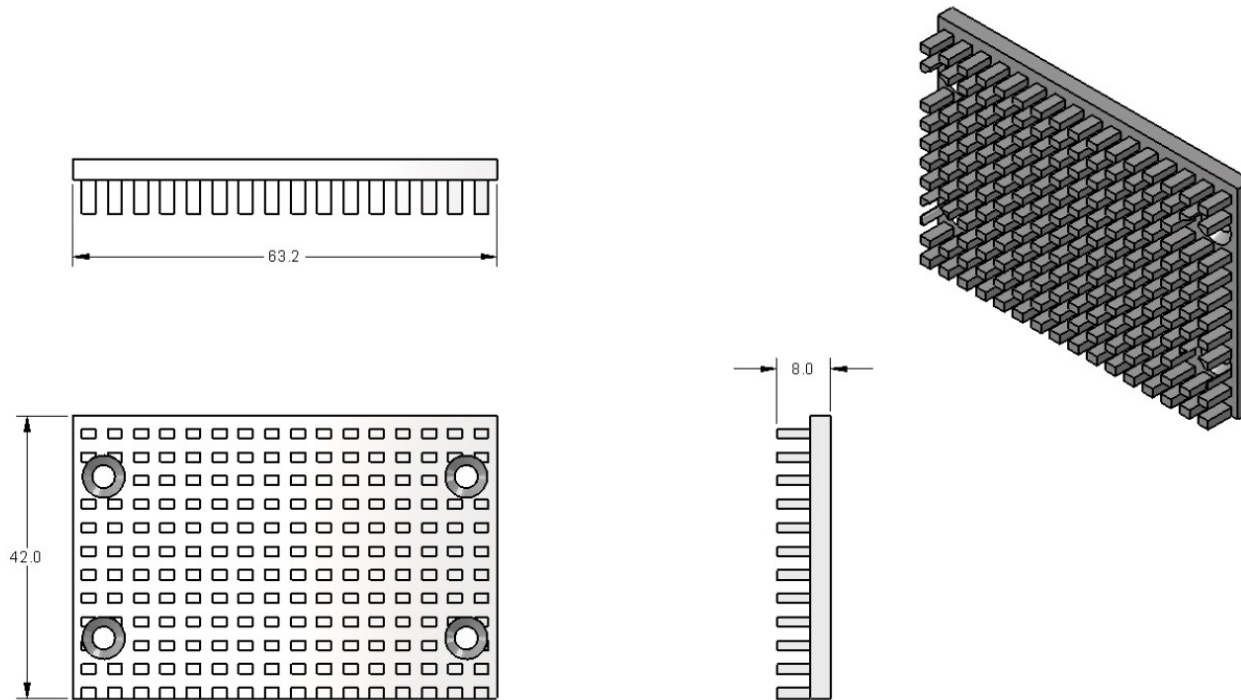


Figure 15: Heat Sink Attachment Option

This figure shows an optional heat sink that can be added on to the heat spreader plate. Some situations **may** require a taller heat sink and / or one with an embedded fan. The four holes in the heat sink above are used with M3 flat head screws. The screws engage the 'C' holes in the heat spreader plate in Figure 14 'Heat Spreader Plan View' on the previous page. A relatively large, thin TIM is required between the heat spreader plate "Far Side" and the flat surface of the heat sink.

The heat sink Y dimension matches the 42mm Y dimension of the heat spreader plate. The X dimension of the heat sink is less, at 63.2 mm, than the 82 mm length of the heat spreader plate. This is to allow the heat sink to clear the four Module corner holes (the 'A' holes in Figure 14 'Heat Spreader Plan View'). The heat sink Z dimension can vary according to the thermal situation at hand.

Alternatively, the system enclosure wall **may** be used as the heat sink. In this case, the heat spreader plate is secured to the enclosure wall via the four 'C' holes shown in Figure 14 'Heat Spreader Plan View' on the previous page. A large, thin TIM is then required between the heat spreader plate "Far Side" and the enclosure wall.

5.11 Heat Spreader – 82mm x 80mm Module

The heat spreader for an 82mm x 80mm Module is similar to the heat spreader for the 82mm x 50mm Module, but is extended upward by 30mm and appropriate additional holes are provided. The 'A' and 'C' hole drill details are the same as the 'A' and 'C' holes on the heat spreader for the 82mm x 50mm Module.

The TIM and the B holes are not fixed, and **may** be in locations other than what is shown in Figure 16.

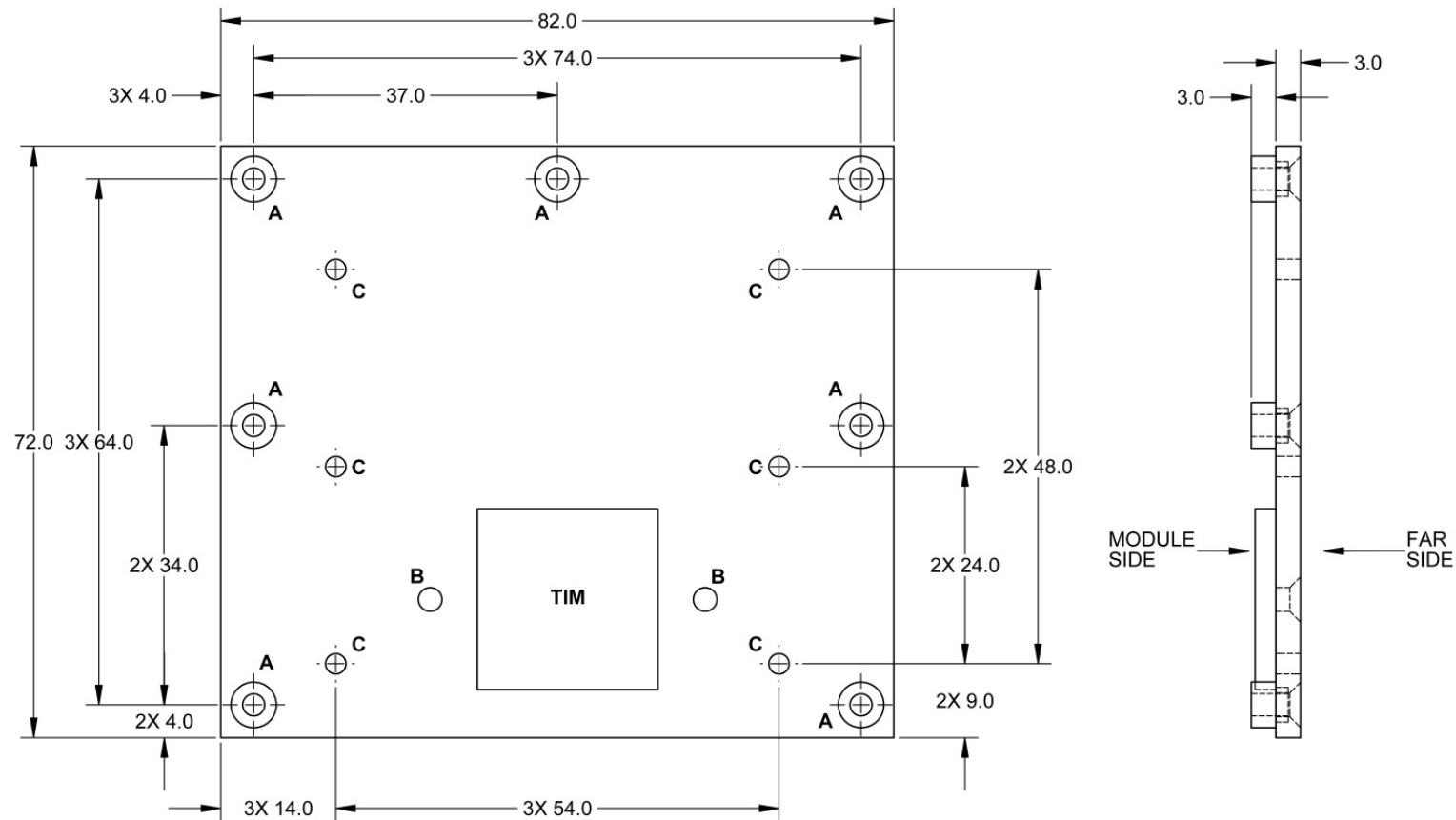


Figure 16: Heat Spreader - 82mm x 80mm Module

6 MODULE POWER

6.1 Input Voltage / Main Power Rail

The Module input power voltage is brought in on the ten VDD_IN pins and returned through the numerous GND pins on the connector.

A Module **shall** withstand an indefinite exposure to an applied VDD_IN that **may** vary over the 3.0V to 5.25V range, without damage.

A Module **should** operate over the entire VDD_IN range of 3.0V to 5.25V.

Modules that use higher wattage SOCs **may** be designed to operate with a fixed 5V supply (4.75V to 5.25V).

Modules that are designed for rock-bottom cost and that use low power SOCs **may** be designed to operate with a fixed 3.3V supply (3.1V to 3.4V). They **shall not** be damaged in any way by exposure to the allowable VDD_IN range of 3.0 to 5.25V.

Ten pins are allocated to VDD_IN. The connector pin current rating is 0.5A per pin. This works out to 5A total for the 10 pins. At the lowest allowed Module input voltage of 3.0V, this would allow up to 15W of electrical power to be brought in (with no de-rating on the connector current capability). With a 40% connector current de-rating, up to 9W **may** be brought in at 3.0V.

If the fixed 5V input option is used, then 25W **may** be brought in over the 10 power pins (no de-rating). With a 40% connector de-rating, 15W are allowed to be brought in at 5V.

As a practical matter, ARM most Module designs are expected to be 6W or less. X86 designs are expected to be in the 5W to 12W range, depending on the CPU SKU.

6.2 No Separate Standby Voltage

There is no separate voltage rail for standby power, other than the very low current (optional) RTC voltage rail. All Module operating and standby power comes from the single set of VDD_IN pins. This suits battery power sources well, and is also easy to use with non-battery sources.

6.3 RTC Voltage Rail

RTC backup power **may** be brought in on the VDD_RTC rail. The RTC consumption is typically 15 μ A or less. The allowable VDD_RTC voltage range **shall** be 2.0V to 3.25V. The VDD_RTC rail **may** be sourced from a Carrier based Lithium cell or Super Cap, or it **may** be left open if the RTC backup functions are not required. The Module **shall** be able to boot without an external VDD_RTC voltage source.

Important: Lithium cells must be protected against charging by reverse currents, with a series Schottky diode and resistor. It is impractical to have the series diode on the Module, as this complicates the use of Super Caps (they need to be charged, over the Module VDD_RTC pin).

Lithium cells, if used, **shall** be protected against charging by a Carrier Schottky diode. The diode is placed in series with the positive battery terminal. The diode anode is on the battery side, and the cathode on the Module VDD_RTC side.

Note that if a Super cap is used, current **may** flow out of the Module VDD_RTC rail to charge the Super Cap.

The supply voltage rail used for the Module is VDD_IN. There are no timing relations between this Module supply rail and the optional VDD_RTC.

6.4 Power Rail Definition

The intention of mapping the SMARC Module connector signals to separate power domains is to enable a compatible implementation of power saving sleep state called **standby state** between different Module vendors and CPU technologies. At **runtime state**, all supported IO signals are powered and driven. At **standby state**, dedicated wake sources **shall** be enabled with active interfaces and signals.

Standby state and runtime state are corresponding to the in the x86 world well known ACPI system states Standby and Full On.

If a power saving **standby state** is implemented at the Carrier Board and supported by the Module, the IO voltage rails of the Carrier Board are controlled by the Module using the two signals CARRIER_PWR_ON and CARRIER_STBY#. The signal CARRIER_PWR_ON enables the IO supply rails that are powered in **standby mode**. The signal CARRIER_STBY# enables the additional IO supply rails that are powered in **runtime mode**.

Comparing to previous releases of SMARC standard, a new low power consumption domain is defined as "Sleep". This is an optional domain which can be used to support DeepSleep states of modern CPU architectures. Typical wake event is the power button only. Optionally the battery management can be used. If the state is not used, Sleep power domain can be tied to Standby domain.

SMARC domain name	ACPI domain name	ACPI System-State	VIN_PWR_BAD#	CARRIER_PWR_ON	CARRIER_STB#	Corresponding Signal for x86 Designs (only for Module designer)
Off			0	0	0	
Sleep	Deep sleep	Pseudo G3 (after Mechanical OFF G3; before Standby)	1	0	0	SLP_SUS# asserted Note: VIN_PWR_BAD# is not tied to SLP_SUS#
Standby	Standby	S5-S3	1	1	0	Standby related power signal i.e. RSMRST# or SLP_SUS# deasserted
Runtime	Full-On	S0	1	1	1	i.e. SLP_S3# deasserted

Table 50: Power Rail Definitions

In order to avoid back driving between module and carrier by high active signals in standby state the signal power domains in the pin description in chapter 3 shall be observed. In general, it is recommended to adapt the Carrier Board power rails to the Module power rails. In some cases, you **may** drive signals low or to use weak pull up resistors to minimize back driving. The Carrier Board shall avoid back driving from Module into unpowered circuit at **standby mode**. The Carrier Board **shall not** drive any runtime signals high during **standby mode**.

Special attention has to be spent at runtime powered output signals in **standby mode**. SMARC 2.0 modules may have used different signal to power domain assertion. The module datasheet has to be checked for standby mode implementation details to prevent backdriving and to define wakeup sources.

6.5 Power Sequencing

Basically, VDD_IN is the first power domain to be turned on by the carrier circuit during power-up. Other circuit components on the carrier, which are galvanically coupled to the module, shall not be supplied to avoid feedback. From the moment VDD_IN is stable - recognizable by VIN_PWR_BAD# deasserted - the module takes over control of the power sequencing. As soon as the module reaches the next system state standby, CARRIER_PWR_ON signals the carrier to switch on all its standby voltages. No feedback is provided to allow the carrier to signal Power OK to the modules power state machine. When the state Runtime is reached, the module deasserts CARRIER_STBY#. The carrier then switches on the remaining rails.

The following sections 6.5.1 to 6.5.4 show power sequence scenarios with/without sleep power domain and with/without power button.

6.5.1 Power up sequence scenario 1

Power up with sleep power domain and PWR_BTN#.

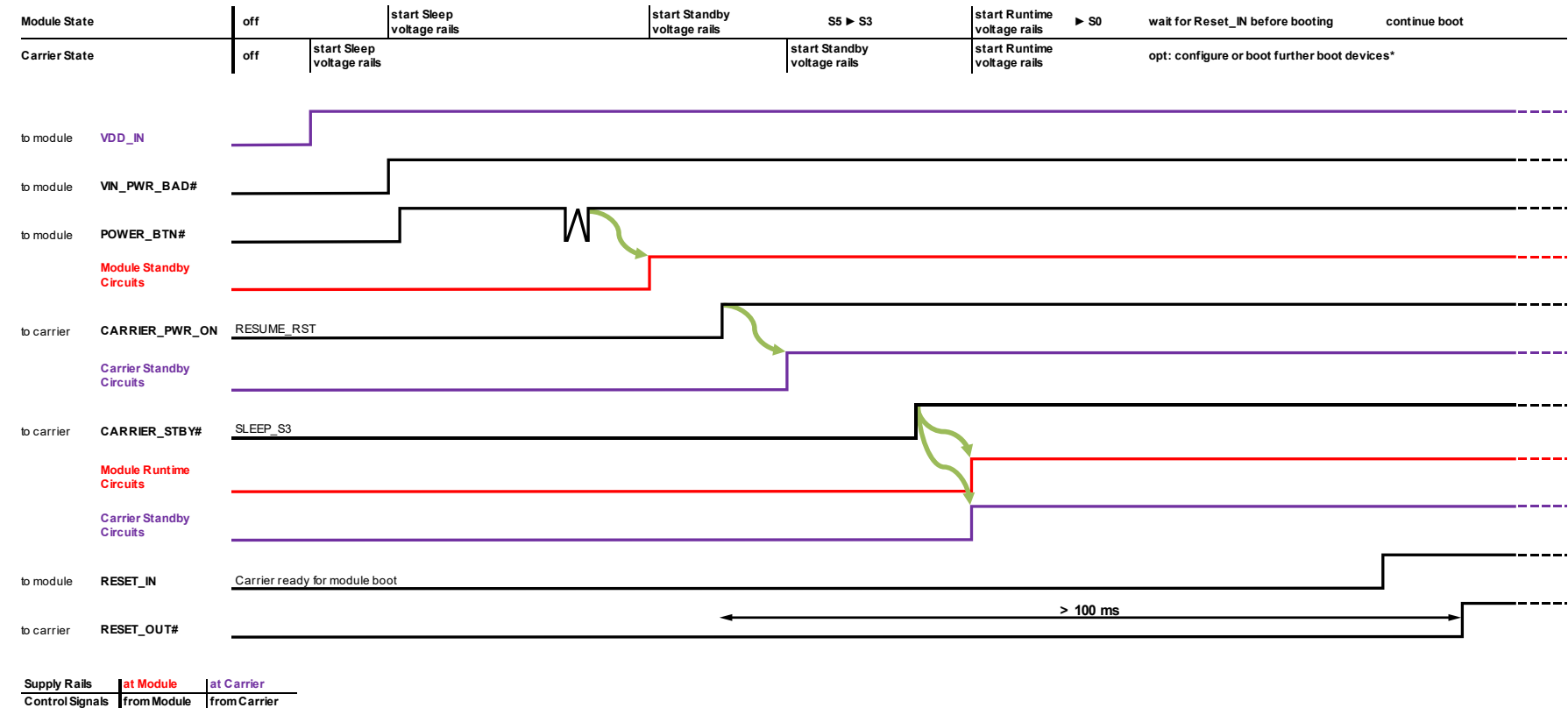


Figure 17: Power sequence diagram sleep and power button

6.5.2 Power up sequence scenario 2

Power up sequence with sleep power domain without PWR_BTN#

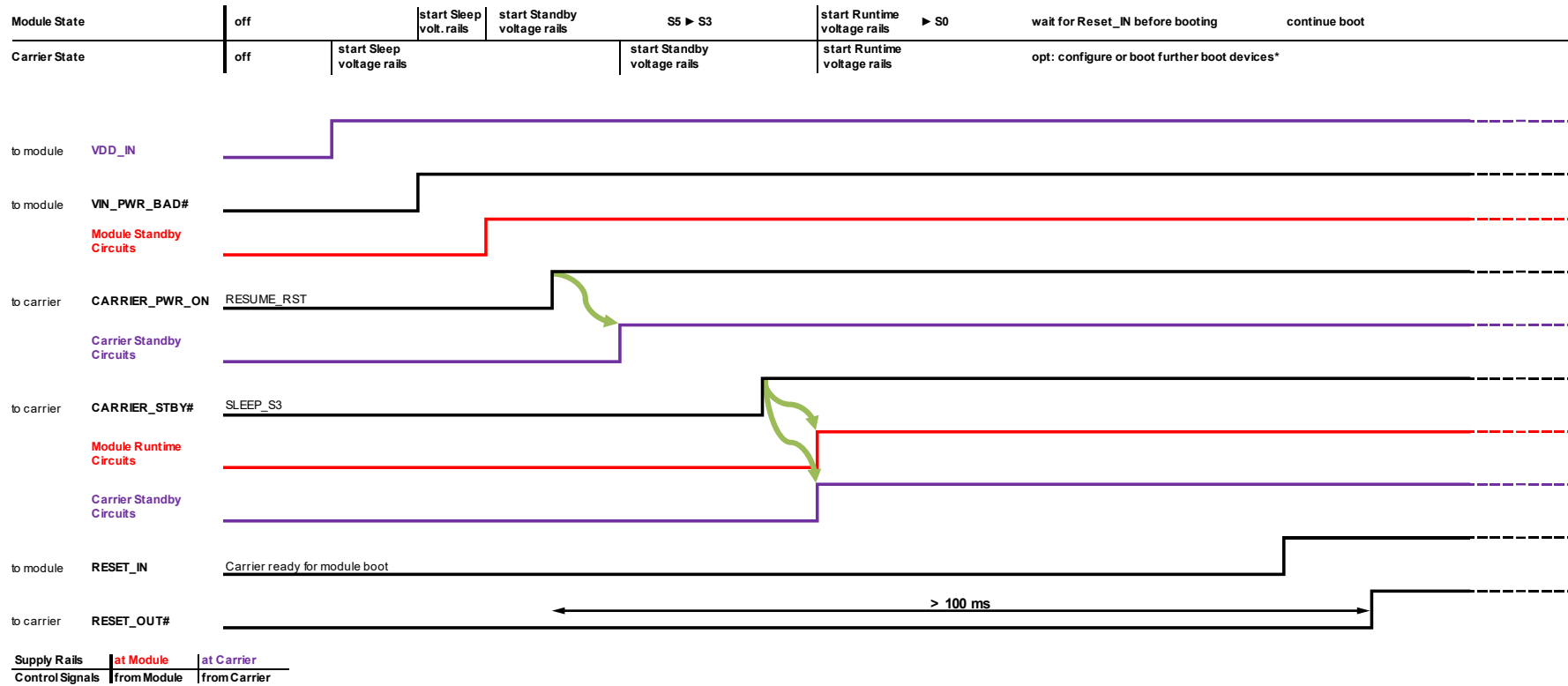


Figure 18: Power sequence diagram sleep, no power button

6.5.3 Power up sequence scenario 3

Power up sequence without sleep power domain and with PWR_BTN#

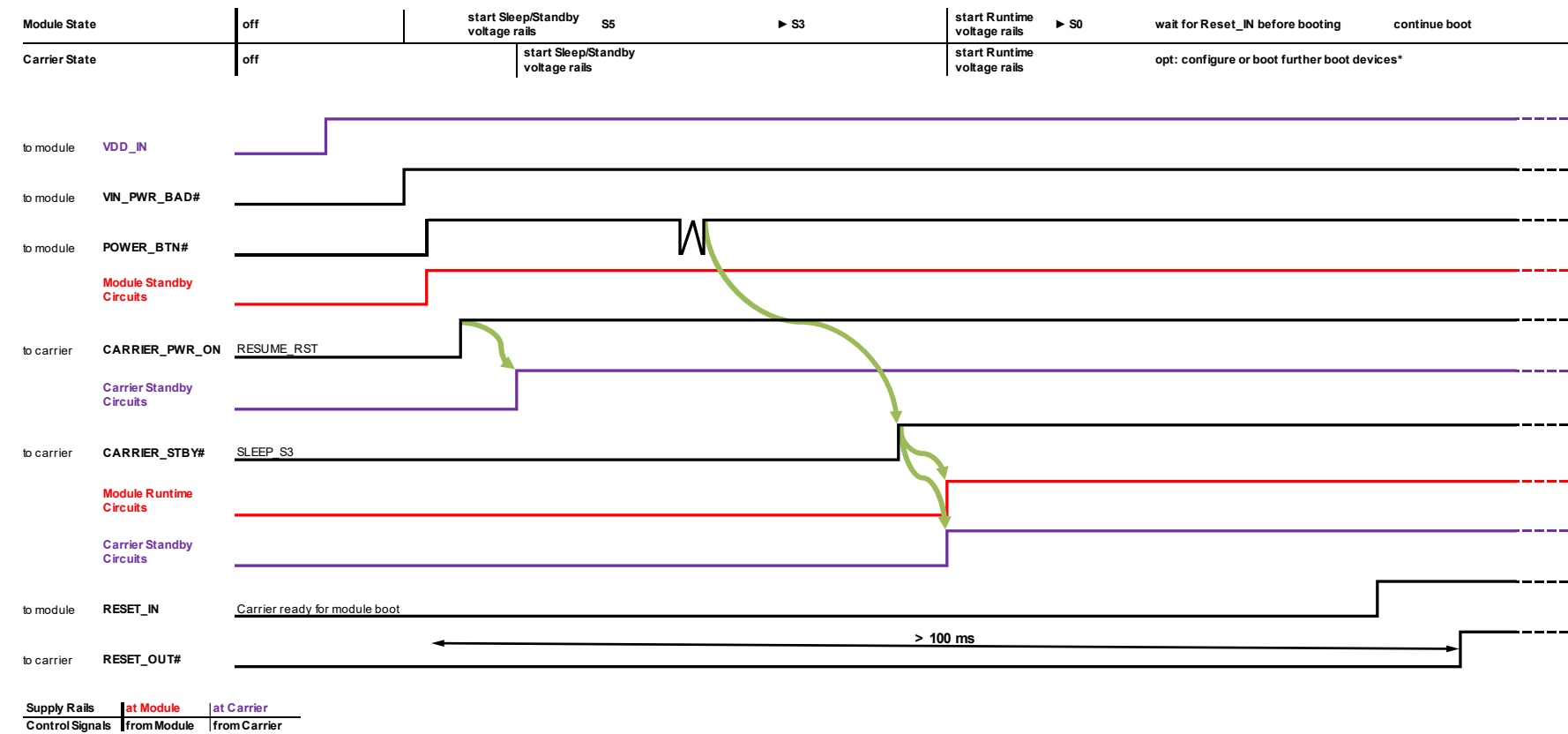


Figure 19: Power sequence diagram power button

6.5.4 Power up sequence scenario 4

Power up sequence without sleep power domain and without PWR_BTN#

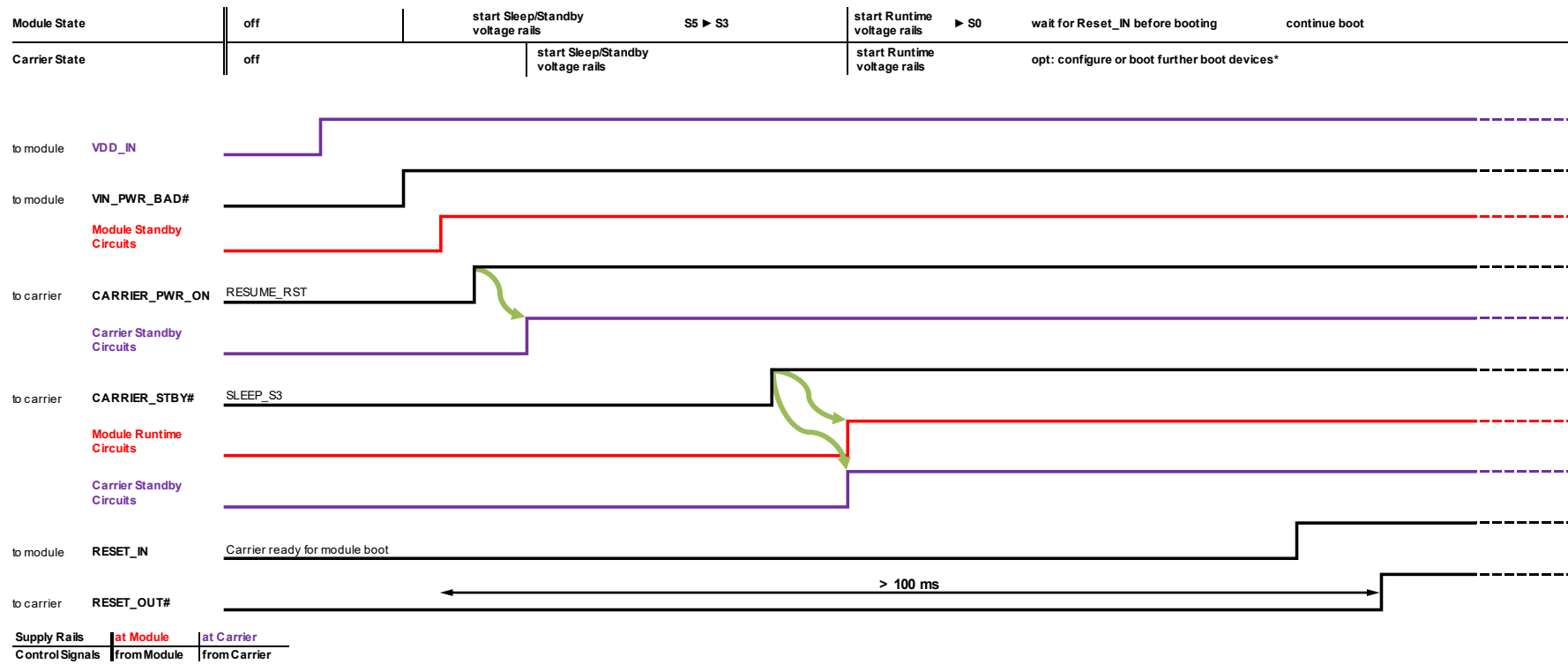


Figure 20: Power sequence diagram, no power button

7 MODULE AND CARRIER SERIAL EEPROMS

SMARC Modules **should** include an I2C serial EEPROM on the Module I2C_GP bus. The device used **should** be an Atmel 24C32 or equivalent. The device **shall** operate at 1.8V. The Module serial EEPROM **should** be placed at I2C slave addresses A2 A1 A0 set to 0 (I2C slave address 50 hex, 7 bit address format or A0 / A1 hex, 8 bit format) (recall that for I2C EEPROMs, address bits A6 A5 A4 A3 are set to binary 1010 convention).

The Module serial EEPROM is intended to retain Module parameter information, including a Module serial number. The Module serial EEPROM data structure **should** conform to the **PICMG[®] EEPROM Embedded EEPROM Specification**.

SMARC Carriers **may** include an I2C serial EEPROM on the I2C_PM bus, in the Module power domain. The device used **should** be an Atmel 24C32 or equivalent. The device **shall** operate at 1.8V. The Carrier serial EEPROM **should** be placed with I2C slave addresses A2 A1 A0 set to binary 111 (I2C slave address 57 hex, 7 bit address format or AE / AF hex, 8 bit format).

The Carrier serial EEPROM is intended to retain Carrier parameter information. The Carrier serial EEPROM data structure **should** conform to the **PICMG[®] EEPROM Embedded EEPROM Specification**.

8 APPENDIX A: LVDS LCD COLOR MAPPINGS

8.1 LVDS LCD Color Mappings

For flat panel use, parallel LCD data and control information (Red, green and blue color data; Display Enable, Vertical Synch, Horizontal Synch) are commonly serialized onto a set of LVDS differential pairs. The information is packed into frames that are 7 bits long. For 18 bit color depths, the data and control information utilize three LVDS channels (18 data bits + 3 control bits = 21 bits; hence 3 channels with 7 bit frames) plus a clock pair. For 24 bit color depths, four LVDS channels are used (24 data bits + 3 control bits + 1 unused bit = 28 bits, or 4 x 7) plus a clock pair.

The LVDS clock is transmitted as a separate LVDS pair. The LVDS clock period is 7 times longer than the pixel clock period. The LVDS clock edges are off from the 7 bit frame boundaries by 2 pixel periods.

Unfortunately, there are two different 24 bit color mappings in use. The more common one, sometimes referred to as “24 bit standard color mapping”, is not compatible with 18 bit panels, as it places the most significant RGB color data on the 4th LVDS data pair – the pair that is not used on 18 bit panels. There is a less common “24 bit / 18 bit compatible” mapping that puts the least significant color bits of the 24 bit set onto the 4th LVDS pair.

Some panels have pin straps that allow the user to select which color mapping is to be used.

8.1.1 Single Channel Color Mapping

8.1.1.1 General Information

LVDS Channel	Transmit Bit Order	18 Bit Standard	24 Bit / 18 Bit Compatible	24 Bit Standard
0	1	G0	G0	G2
	2	R5	R5	R7
	3	R4	R4	R6
	4	R3	R3	R5
	5	R2	R2	R4
	6	R1	R1	R3
	7	R0	R0	R2
1	1	B1	B1	B3
	2	B0	B0	B2
	3	G5	G5	G7
	4	G4	G4	G6
	5	G3	G3	G5
	6	G2	G2	G4
	7	G1	G1	G3
2	1	DE	DE	DE
	2	VS	VS	VS
	3	HS	HS	HS
	4	B5	B5	B7
	5	B4	B4	B6
	6	B3	B3	B5
	7	B2	B2	B4
3	1	<not used>	<not used>	<not used>
	2	<not used>	B7	B1
	3	<not used>	B6	B0
	4	<not used>	G7	G1
	5	<not used>	G6	G0
	6	<not used>	R7	R1
	7	<not used>	R6	R0

Table 51: LVDS Color Mapping

9 APPENDIX B: DOCUMENT CHANGES

9.1 Changes V1.1 to V2.0

Removed Interfaces

- Parallel camera interface
- Parallel Display interface
- PCI Express presence and clock request signals
- Alternate function block
- SPDIF
- eMMC
- 1 of 3 I2S

Added Interfaces

- 2nd channel LVDS
- 2nd Ethernet
- IEEE1588 trigger signals (software definable pins)
- 4th PCI Express lane
- Extra USB ports (6x USB 2.0 + 2x USB SS signals now)
- x86 power management signals
- eSPI
- DP++

Total Video Interfaces now

- 2x 24 Bit LVDS / eDP 4 channel / MIPI DSI 4 channel
- HDMI / DP++
- DP++

Other Changes

- Added RF connector option
- Changed Module EEPROM from I2C_PM to I2C_GP
- Added power sequencing details
- See detailed pinout changes in section 9.3 'Pinout Comparison' below
- Some mandatory and optional features changed, see section 3.1 'Required and Optional Feature Table' on page 14

9.2 Changes V2.0 to V2.1

- Incorporated Errata 1.1 Rev. 2 (2/9/2017)
- Updated signal tables
 - Added pin number
 - Added power domain
 - Updated content
 - Added termination information
- Added details for eDP[0:1]_HPD
- Added SERDES as alternative function for PCIeC and PCIeD
- Added MDIO Interface
- Updated power domains and power sequencing
- Added two extra GPIOs
- PCIe Clock Request signals for PCIeA and PCIeB at previous locations
- Changed fill order for MIPI CSI (CSI1 first, then CSI0)
- Added CSI 2 and 3 on extra optional connector
- USB client mode defined more clearly
- Added sleep power domain
- Redefined JTAG connector

9.3 Pinout Comparison

Pin	SMARC 1.1	SMARC 2.0	SMARC 2.1
P1	PCAM_PXL_CK1	SMB_ALERT_1V8#	SMB_ALERT#
P2	GND	GND	GND
P3	CSI1_CK+ / PCAM_D0	CSI1_CK+	CSI1_CK+
P4	CSI1_CK- / PCAM_D1	CSI1_CK-	CSI1_CK-
P5	PCAM_DE	GBE1_SDP	GBE1_SDP
P6	PCAM_MCK	GBE0_SDP	GBE0_SDP
P7	CSI1_D0+ / PCAM_D2	CSI1_RX0+	CSI1_RX0+
P8	CSI1_D0- / PCAM_D3	CSI1_RX0-	CSI1_RX0-
P9	GND	GND	GND
P10	CSI1_D1+ / PCAM_D4	CSI1_RX1+	CSI1_RX1+
P11	CSI1_D1- / PCAM_D5	CSI1_RX1-	CSI1_RX1-
P12	GND	GND	GND
P13	CSI1_D2+ / PCAM_D6	CSI1_RX2+	CSI1_RX2+
P14	CSI1_D2- / PCAM_D7	CSI1_RX2-	CSI1_RX2-
P15	GND	GND	GND
P16	CSI1_D3+ / PCAM_D8	CSI1_RX3+	CSI1_RX3+
P17	CSI1_D3- / PCAM_D9	CSI1_RX3-	CSI1_RX3-
P18	GND	GND	GND
P19	GBE_MDI3-	GBE0_MDI3-	GBE0_MDI3-
P20	GBE_MDI3+	GBE0_MDI3+	GBE0_MDI3+
P21	GBE_LINK100#	GBE0_LINK100#	GBE0_LINK100#
P22	GBE_LINK1000#	GBE0_LINK1000#	GBE0_LINK1000#
P23	GBE_MDI2-	GBE0_MDI2-	GBE0_MDI2-
P24	GBE_MDI2+	GBE0_MDI2+	GBE0_MDI2+
P25	GBE_LINK_ACT#	GBE0_LINK_ACT#	GBE0_LINK_ACT#
P26	GBE_MDI1-	GBE0_MDI1-	GBE0_MDI1-
P27	GBE_MDI1+	GBE0_MDI1+	GBE0_MDI1+
P28	GBE_CTREF	GBE0_CTREF	GBE0_CTREF
P29	GBE_MDI0-	GBE0_MDI0-	GBE0_MDI0-
P30	GBE_MDI0+	GBE0_MDI0+	GBE0_MDI0+
P31	SPI0_CS1#	SPI0_CS1#	SPI0_CS1#
P32	GND	GND	GND
P33	SDIO_WP	SDIO_WP	SDIO_WP
P34	SDIO_CMD	SDIO_CMD	SDIO_CMD
P35	SDIO_CD#	SDIO_CD#	SDIO_CD#
P36	SDIO_CK	SDIO_CK	SDIO_CK
P37	SDIO_PWR_EN	SDIO_PWR_EN	SDIO_PWR_EN
P38	GND	GND	GND

Pin	SMARC 1.1	SMARC 2.0	SMARC 2.1
P39	SDIO_D0	SDIO_D0	SDIO_D0
P40	SDIO_D1	SDIO_D1	SDIO_D1
P41	SDIO_D2	SDIO_D2	SDIO_D2
P42	SDIO_D3	SDIO_D3	SDIO_D3
P43	SPI0_CS0#	SPI0_CS0#	SPI0_CS0#
P44	SPI0_CK	SPI0_CK	SPI0_CK
P45	SPI0_DIN	SPI0_DIN	SPI0_DIN
P46	SPI0_DO	SPI0_DO	SPI0_DO
P47	GND	GND	GND
P48	SATA_TX+	SATA_TX+	SATA_TX+
P49	SATA_TX-	SATA_TX-	SATA_TX-
P50	GND	GND	GND
P51	SATA_RX+	SATA_RX+	SATA_RX+
P52	SATA_RX-	SATA_RX-	SATA_RX-
P53	GND	GND	GND
P54	SPI1_CS0#	SPI1_CS0# / <u>ESPI_CS0#</u>	SPI1_CS0# / ESPI_CS0# / <u>QSPI_CS0#</u>
P55	SPI1_CS1#	SPI1_CS1# / <u>ESPI_CS1#</u>	SPI1_CS1# / ESPI_CS1# / <u>QSPI_CS1#</u>
P56	SPI1_CK	SPI1_CK / <u>ESPI_CK</u>	SPI1_CK / ESPI_CK / <u>QSPI_CK</u>
P57	SPI1_DIN	SPI1_DIN / <u>ESPI_IO_1</u>	SPI1_DIN / ESPI_IO_1 / <u>QSPI_IO_1</u>
P58	SPI1_DO	SPI1_DO / <u>ESPI_IO_0</u>	SPI1_DO / ESPI_IO_0 / <u>QSPI_IO_0</u>
P59	GND	GND	GND
P60	USB0+	USB0+	USB0+
P61	USB0-	USB0-	USB0-
P62	USB0_EN_OC#	USB0_EN_OC#	USB0_EN_OC#
P63	USB0_VBUS_DET	USB0_VBUS_DET	USB0_VBUS_DET
P64	USB0_OTG_ID	USB0_OTG_ID	USB0_OTG_ID
P65	USB1+	USB1+	USB1+
P66	USB1-	USB1-	USB1-
P67	USB1_EN_OC#	USB1_EN_OC#	USB1_EN_OC#
P68	GND	GND	GND
P69	USB2+	USB2+	USB2+
P70	USB2-	USB2-	USB2-
P71	USB2_EN_OC#	USB2_EN_OC#	USB2_EN_OC#
P72	PCIE_C_PRSNT#	<u>RSVD</u>	RSVD
P73	PCIE_B_PRSNT#	<u>RSVD</u>	RSVD
P74	PCIE_A_PRSNT#	<u>USB3_EN_OC#</u>	USB3_EN_OC#
P75	PCIE_A_RST#	PCIE_A_RST#	PCIE_A_RST#
P76	PCIE_C_CKREQ#	<u>USB4_EN_OC#</u>	USB4_EN_OC#
P77	PCIE_B_CKREQ#	<u>RSVD</u>	<u>PCIE_B_CKREQ#</u>
P78	PCIE_A_CKREQ#	<u>RSVD</u>	<u>PCIE_A_CKREQ#</u>

Pin	SMARC 1.1	SMARC 2.0	SMARC 2.1
P79	GND	GND	GND
P80	PCIE_C_REFCK+	PCIE_C_REFCK+	PCIE_C_REFCK+
P81	PCIE_C_REFCK-	PCIE_C_REFCK-	PCIE_C_REFCK-
P82	GND	GND	GND
P83	PCIE_A_REFCK+	PCIE_A_REFCK+	PCIE_A_REFCK+
P84	PCIE_A_REFCK-	PCIE_A_REFCK-	PCIE_A_REFCK-
P85	GND	GND	GND
P86	PCIE_A_RX+	PCIE_A_RX+	PCIE_A_RX+
P87	PCIE_A_RX-	PCIE_A_RX-	PCIE_A_RX-
P88	GND	GND	GND
P89	PCIE_A_TX+	PCIE_A_TX+	PCIE_A_TX+
P90	PCIE_A_TX-	PCIE_A_TX-	PCIE_A_TX-
P91	GND	GND	GND
P92	HDMI_D2+	HDMI_D2+ / <u>DP1_LANE0+</u>	HDMI_D2+ / DP1_LANE0+
P93	HDMI_D2-	HDMI_D2- / <u>DP1_LANE0-</u>	HDMI_D2- / DP1_LANE0-
P94	GND	GND	GND
P95	HDMI_D1+	HDMI_D1+ / <u>DP1_LANE1+</u>	HDMI_D1+ / DP1_LANE1+
P96	HDMI_D1-	HDMI_D1- / <u>DP1_LANE1-</u>	HDMI_D1- / DP1_LANE1-
P97	GND	GND	GND
P98	HDMI_D0+	HDMI_D0+ / <u>DP1_LANE2+</u>	HDMI_D0+ / DP1_LANE2+
P99	HDMI_D0-	HDMI_D0- / <u>DP1_LANE2-</u>	HDMI_D0- / DP1_LANE2-
P100	GND	GND	GND
P101	HDMI_CK+	HDMI_CK+ / <u>DP1_LANE3+</u>	HDMI_CK+ / DP1_LANE3+
P102	HDMI_CK-	HDMI_CK- / <u>DP1_LANE3-</u>	HDMI_CK- / DP1_LANE3-
P103	GND	GND	GND
P104	HDMI_HPD	HDMI_HPD / <u>DP1_HPD</u>	HDMI_HPD / DP1_HPD
P105	HDMI_CTRL_CK	HDMI_CTRL_CK / <u>DP1_AUX+</u>	HDMI_CTRL_CK / DP1_AUX+
P106	HDMI_CTRL_DAT	HDMI_CTRL_DAT / <u>DP1_AUX-</u>	HDMI_CTRL_DAT / DP1_AUX-
P107	HDMI_GEC	<u>DP1_AUX_SEL</u>	DP1_AUX_SEL
P108	GPIO0 / CAM0_PWR#	GPIO0 / CAM0_PWR#	GPIO0 / CAM0_PWR#
P109	GPIO1 / CAM1_PWR#	GPIO1 / CAM1_PWR#	GPIO1 / CAM1_PWR#
P110	GPIO2 / CAM0_RST#	GPIO2 / CAM0_RST#	GPIO2 / CAM0_RST#
P111	GPIO3 / CAM1_RST#	GPIO3 / CAM1_RST#	GPIO3 / CAM1_RST#
P112	GPIO4 / HDA_RST#	GPIO4 / HDA_RST#	GPIO4 / HDA_RST#
P113	GPIO5 / PWM_OUT	GPIO5 / PWM_OUT	GPIO5 / PWM_OUT
P114	GPIO6 / TACHIN	GPIO6 / TACHIN	GPIO6 / TACHIN
P115	GPIO7 / PCAM_FLD	GPIO7	GPIO7
P116	GPIO8 / CAN0_ERR#	GPIO8	GPIO8
P117	GPIO9 / CAN1_ERR#	GPIO9	GPIO9
P118	GPIO10	GPIO10	GPIO10

Pin	SMARC 1.1	SMARC 2.0	SMARC 2.1
P119	GPIO11	GPIO11	GPIO11
P120	GND	GND	GND
P121	I2C_PM_CK	I2C_PM_CK	I2C_PM_CK
P122	I2C_PM_DAT	I2C_PM_DAT	I2C_PM_DAT
P123	BOOT_SEL0#	BOOT_SEL0#	BOOT_SEL0#
P124	BOOT_SEL1#	BOOT_SEL1#	BOOT_SEL1#
P125	BOOT_SEL2#	BOOT_SEL2#	BOOT_SEL2#
P126	RESET_OUT#	RESET_OUT#	RESET_OUT#
P127	RESET_IN#	RESET_IN#	RESET_IN#
P128	POWER_BTN#	POWER_BTN#	POWER_BTN#
P129	SER0_TX	SER0_TX	SER0_TX
P130	SER0_RX	SER0_RX	SER0_RX
P131	SER0_RTS#	SER0_RTS#	SER0_RTS#
P132	SER0_CTS#	SER0_CTS#	SER0_CTS#
P133	GND	GND	GND
P134	SER1_TX	SER1_TX	SER1_TX
P135	SER1_RX	SER1_RX	SER1_RX
P136	SER2_TX	SER2_TX	SER2_TX
P137	SER2_RX	SER2_RX	SER2_RX
P138	SER2_RTS#	SER2_RTS#	SER2_RTS#
P139	SER2_CTS#	SER2_CTS#	SER2_CTS#
P140	SER3_TX	SER3_TX	SER3_TX
P141	SER3_RX	SER3_RX	SER3_RX
P142	GND	GND	GND
P143	CAN0_TX	CAN0_TX	CAN0_TX
P144	CAN0_RX	CAN0_RX	CAN0_RX
P145	CAN1_TX	CAN1_TX	CAN1_TX
P146	CAN1_RX	CAN1_RX	CAN1_RX
P147	VDD_IN	VDD_IN	VDD_IN
P148	VDD_IN	VDD_IN	VDD_IN
P149	VDD_IN	VDD_IN	VDD_IN
P150	VDD_IN	VDD_IN	VDD_IN
P151	VDD_IN	VDD_IN	VDD_IN
P152	VDD_IN	VDD_IN	VDD_IN
P153	VDD_IN	VDD_IN	VDD_IN
P154	VDD_IN	VDD_IN	VDD_IN
P155	VDD_IN	VDD_IN	VDD_IN
P156	VDD_IN	VDD_IN	VDD_IN

Pin	SMARC 1.1	SMARC 2.0	SMARC 2.1
S1	PCAM_VSYNC	<u>CSI1 TX+ / I2C CAM1 CK</u>	CSI1_TX+ / I2C_CAM1_CK
S2	PCAM_HSYNC	<u>CSI1 TX- / I2C CAM1 DAT</u>	CSI1_TX- / I2C_CAM1_DAT
S3	GND	GND	GND
S4	PCAM_PXL_CK0	<u>RSVD</u>	RSVD
S5	I2C_CAM_CK	I2C_CAM0_CK / <u>CSI0 TX+</u>	I2C_CAM0_CK / CSI0_TX+
S6	CAM_MCK	CAM_MCK	CAM_MCK
S7	I2C_CAM_DAT	I2C_CAM0_DAT / <u>CSI0 TX-</u>	I2C_CAM0_DAT / CSI0_TX-
S8	CSI0_CK+ / PCAM_D10	CSI0_CK+	CSI0_CK+
S9	CSI0_CK- / PCAM_D14	CSI0_CK-	CSI0_CK-
S10	GND	GND	GND
S11	CSI0_D0+ / PCAM_D12	CSI0_RX0+	CSI0_RX0+
S12	CSI0_D0- / PCAM_D13	CSI0_RX0-	CSI0_RX0-
S13	GND	GND	GND
S14	CSI0_D1+ / PCAM_D14	CSI0_RX1+	CSI0_RX1+
S15	CSI0_D1- / PCAM_D15	CSI0_RX1-	CSI0_RX1-
S16	GND	GND	GND
S17	AFB0_OUT	<u>GBE1 MDIO+</u>	GBE1_MDIO+
S18	AFB1_OUT	<u>GBE1 MDIO-</u>	GBE1_MDIO-
S19	AFB2_OUT	<u>GBE1 LINK100#</u>	GBE1_LINK100#
S20	AFB3_IN	<u>GBE1 MDI1+</u>	GBE1_MDI1+
S21	AFB4_IN	<u>GBE1 MDI1-</u>	GBE1_MDI1-
S22	AFB5_IN	<u>GBE1 LINK1000#</u>	GBE1_LINK1000#
S23	AFB6_PTIO	<u>GBE1 MDI2+</u>	GBE1_MDI2+
S24	AFB7_PTIO	<u>GBE1 MDI2-</u>	GBE1_MDI2-
S25	GND	GND	GND
S26	SDMMC_D0	<u>GBE1 MDI3+</u>	GBE1_MDI3+
S27	SDMMC_D1	<u>GBE1 MDI3-</u>	GBE1_MDI3-
S28	SDMMC_D2	<u>GBE1 CTREF</u>	GBE1_CTREF
S29	SDMMC_D3	<u>PCIE D TX+</u>	PCIE_D_TX+ / <u>SERDES 0 TX+</u>
S30	SDMMC_D4	<u>PCIE D TX-</u>	PCIE_D_TX- / <u>SERDES 0 TX-</u>
S31	SDMMC_D5	<u>GBE1 LINK ACT#</u>	GBE1_LINK_ACT#
S32	SDMMC_D6	<u>PCIE D RX+</u>	PCIE_D_RX+ / <u>SERDES 0 RX+</u>
S33	SDMMC_D7	<u>PCIE D RX-</u>	PCIE_D_RX- / <u>SERDES 0 RX-</u>
S34	GND	GND	GND
S35	SDMMC_CK	<u>USB4+</u>	USB4+
S36	SDMMC_CMD	<u>USB4-</u>	USB4-
S37	SDMMC_RST#	<u>USB3 VBUS_DET</u>	USB3_VBUS_DET
S38	AUDIO_MCK	AUDIO_MCK	AUDIO_MCK
S39	I2S0_LRCK	I2S0_LRCK	I2S0_LRCK
S40	I2S0_SDOUT	I2S0_SDOUT	I2S0_SDOUT

Pin	SMARC 1.1	SMARC 2.0	SMARC 2.1
S41	I2S0_SDIN	I2S0_SDIN	I2S0_SDIN
S42	I2S0_CK	I2S0_CK	I2S0_CK
S43	I2S1_LRCK	<u>ESPI ALERT0#</u>	ESPI_ALERT0#
S44	I2S1_SDOUT	<u>ESPI ALERT1#</u>	ESPI_ALERT1#
S45	I2S1_SDIN	<u>RSVD</u>	<u>MDIO_CLK</u>
S46	I2S1_CK	<u>RSVD</u>	<u>MDIO_DAT</u>
S47	GND	GND	GND
S48	I2C_GP_CK	I2C_GP_CK	I2C_GP_CK
S49	I2C_GP_DAT	I2C_GP_DAT	I2C_GP_DAT
S50	I2S2_LRCK	<u>I2S2_LRCK / HDA_SYNC</u>	<u>I2S2_LRCK / HDA_SYNC</u>
S51	I2S2_SDOUT	<u>I2S2_SDOUT / HDA_SDO</u>	<u>I2S2_SDOUT / HDA_SDO</u>
S52	I2S2_SDIN	<u>I2S2_SDIN / HDA_SDI</u>	<u>I2S2_SDIN / HDA_SDI</u>
S53	I2S2_CK	<u>I2S2_CK / HDA_CK</u>	<u>I2S2_CK / HDA_CK</u>
S54	SATA_ACT#	SATA_ACT#	SATA_ACT#
S55	AFB8_PTIO	<u>USB5_EN_OC#</u>	USB5_EN_OC#
S56	AFB9_PTIO	<u>ESPI IO 2</u>	ESPI_IO_2 / <u>QSPI IO 2</u>
S57	PCAM_ON_CS10#	<u>ESPI IO 3</u>	ESPI_IO_3 / <u>QSPI IO 3</u>
S58	PCAM_ON_CS11#	<u>ESPI RESET#</u>	ESPI_RESET#
S59	SPDIF_OUT	<u>USB5+</u>	USB5+
S60	SPDIF_IN	<u>USB5-</u>	USB5-
S61	GND	GND	GND
S62	AFB_DIFF0+	<u>USB3_SSTX+</u>	USB3_SSTX+
S63	AFB_DIFF0-	<u>USB3_SSTX-</u>	USB3_SSTX-
S64	GND	GND	GND
S65	AFB_DIFF1+	<u>USB3_SSRX+</u>	USB3_SSRX+
S66	AFB_DIFF1-	<u>USB3_SSRX-</u>	USB3_SSRX-
S67	GND	GND	GND
S68	AFB_DIFF2+	<u>USB3+</u>	USB3+
S69	AFB_DIFF2-	<u>USB3-</u>	USB3-
S70	GND	GND	GND
S71	AFB_DIFF3+	<u>USB2_SSTX+</u>	USB2_SSTX+
S72	AFB_DIFF3-	<u>USB2_SSTX-</u>	USB2_SSTX-
S73	GND	GND	GND
S74	AFB_DIFF4+	<u>USB2_SSRX+</u>	USB2_SSRX+
S75	AFB_DIFF4-	<u>USB2_SSRX-</u>	USB2_SSRX-
S76	PCIE_B_RST#	PCIE_B_RST#	PCIE_B_RST#
S77	PCIE_C_RST#	PCIE_C_RST#	PCIE_C_RST#
S78	PCIE_C_RX+	PCIE_C_RX+	PCIE_C_RX+ / <u>SERDES 1 RX+</u>
S79	PCIE_C_RX-	PCIE_C_RX-	PCIE_C_RX- / <u>SERDES 1 RX-</u>
S80	GND	GND	GND

Pin	SMARC 1.1	SMARC 2.0	SMARC 2.1
S81	PCIE_C_TX+	PCIE_C_TX+	PCIE_C_TX+ / <u>SERDES 1 TX+</u>
S82	PCIE_C_TX-	PCIE_C_TX-	PCIE_C_TX- / <u>SERDES 1 TX-</u>
S83	GND	GND	GND
S84	PCIE_B_REFCK+	PCIE_B_REFCK+	PCIE_B_REFCK+
S85	PCIE_B_REFCK-	PCIE_B_REFCK-	PCIE_B_REFCK-
S86	GND	GND	GND
S87	PCIE_B_RX+	PCIE_B_RX+	PCIE_B_RX+
S88	PCIE_B_RX-	PCIE_B_RX-	PCIE_B_RX-
S89	GND	GND	GND
S90	PCIE_B_TX+	PCIE_B_TX+	PCIE_B_TX+
S91	PCIE_B_TX-	PCIE_B_TX-	PCIE_B_TX-
S92	GND	GND	GND
S93	<u>LCD_D0</u>	<u>DP0_LANE0+</u>	DP0_LANE0+
S94	<u>LCD_D1</u>	<u>DP0_LANE0-</u>	DP0_LANE0-
S95	<u>LCD_D2</u>	<u>DP0_AUX_SEL</u>	DP0_AUX_SEL
S96	<u>LCD_D3</u>	<u>DP0_LANE1+</u>	DP0_LANE1+
S97	<u>LCD_D4</u>	<u>DP0_LANE1-</u>	DP0_LANE1-
S98	<u>LCD_D5</u>	<u>DP0_HPD</u>	DP0_HPD
S99	<u>LCD_D6</u>	<u>DP0_LANE2+</u>	DP0_LANE2+
S100	<u>LCD_D7</u>	<u>DP0_LANE2-</u>	DP0_LANE2-
S101	GND	GND	GND
S102	<u>LCD_D8</u>	<u>DP0_LANE3+</u>	DP0_LANE3+
S103	<u>LCD_D9</u>	<u>DP0_LANE3-</u>	DP0_LANE3-
S104	<u>LCD_D10</u>	<u>USB3_OTG_ID</u>	USB3_OTG_ID
S105	<u>LCD_D11</u>	<u>DP0_AUX+</u>	DP0_AUX+
S106	<u>LCD_D12</u>	<u>DP0_AUX-</u>	DP0_AUX-
S107	<u>LCD_D13</u>	<u>LCD1_BKLT_EN</u>	LCD1_BKLT_EN
S108	<u>LCD_D14</u>	<u>LVDS1_CK+ / eDP1_AUX+ / DSI1_CLK+</u>	LVDS1_CK+ / eDP1_AUX+ / DSI1_CLK+
S109	<u>LCD_D15</u>	<u>LVDS1_CK- / eDP1_AUX- / DSI1_CLK-</u>	LVDS1_CK- / eDP1_AUX- / DSI1_CLK-
S110	GND	GND	GND
S111	<u>LCD_D16</u>	<u>LVDS1_0+ / eDP1_TX0+ / DSI1_D0+</u>	LVDS1_0+ / eDP1_TX0+ / DSI1_D0+
S112	<u>LCD_D17</u>	<u>LVDS1_0- / eDP1_TX0- / DSI1_D0-</u>	LVDS1_0- / eDP1_TX0- / DSI1_D0-
S113	<u>LCD_D18</u>	<u>eDP1_HPD</u>	eDP1_HPD / <u>DSI1_TE</u>
S114	<u>LCD_D19</u>	<u>LVDS1_1+ / eDP1_TX1+ / DSI1_D1+</u>	LVDS1_1+ / eDP1_TX1+ / DSI1_D1+
S115	<u>LCD_D20</u>	<u>LVDS1_1- / eDP1_TX1- / DSI1_D1-</u>	LVDS1_1- / eDP1_TX1- / DSI1_D1-
S116	<u>LCD_D21</u>	<u>LCD1_VDD_EN</u>	LCD1_VDD_EN
S117	<u>LCD_D22</u>	<u>LVDS1_2+ / eDP1_TX2+ / DSI1_D2+</u>	LVDS1_2+ / eDP1_TX2+ / DSI1_D2+
S118	<u>LCD_D23</u>	<u>LVDS1_2- / eDP1_TX2- / DSI1_D2-</u>	LVDS1_2- / eDP1_TX2- / DSI1_D2-
S119	GND	GND	GND
S120	<u>LCD_DE</u>	<u>LVDS1_3+ / eDP1_TX3+ / DSI1_D3+</u>	LVDS1_3+ / eDP1_TX3+ / DSI1_D3+

Pin	SMARC 1.1	SMARC 2.0	SMARC 2.1
S121	LCD_VS	<u>LVDS1_3- / eDP1_TX3- / DSI1_D3-</u>	LVDS1_3- / eDP1_TX3- / DSI1_D3-
S122	LCD_HS	<u>LCD1_BKLT_PWM</u>	LCD1_BKLT_PWM
S123	LCD_PCK	<u>RSVD</u>	<u>GPIO13</u>
S124	GND	GND	GND
S125	LVDS0+	<u>LVDS0_0+ / eDP0_TX0+ / DSI0_D0+</u>	LVDS0_0+ / eDP0_TX0+ / DSI0_D0+
S126	LVDS0-	<u>LVDS0_0- / eDP0_TX0- / DSI0_D0-</u>	LVDS0_0- / eDP0_TX0- / DSI0_D0-
S127	LCD_BKLT_EN	LCD0_BKLT_EN	LCD0_BKLT_EN
S128	LVDS1+	<u>LVDS0_1+ / eDP0_TX1+ / DSI0_D1+</u>	LVDS0_1+ / eDP0_TX1+ / DSI0_D1+
S129	LVDS1-	<u>LVDS0_1- / eDP0_TX1- / DSI0_D1-</u>	LVDS0_1- / eDP0_TX1- / DSI0_D1-
S130	GND	GND	GND
S131	LVDS2+	<u>LVDS0_2+ / eDP0_TX2+ / DSI0_D2+</u>	LVDS0_2+ / eDP0_TX2+ / DSI0_D2+
S132	LVDS2-	<u>LVDS0_2- / eDP0_TX2- / DSI0_D2-</u>	LVDS0_2- / eDP0_TX2- / DSI0_D2-
S133	LCD_VDD_EN	LCD0_VDD_EN	LCD0_VDD_EN
S134	LVDS_CK+	<u>LVDS0_CK+ / eDP0_AUX+ / DSI0_CLK+</u>	LVDS0_CK+ / eDP0_AUX+ / DSI0_CLK+
S135	LVDS_CK-	<u>LVDS0_CK- / eDP0_AUX- / DSI0_CLK-</u>	LVDS0_CK- / eDP0_AUX- / DSI0_CLK-
S136	GND	GND	GND
S137	LVDS3+	<u>LVDS0_3+ / eDP0_TX3+ / DSI0_D3+</u>	LVDS0_3+ / eDP0_TX3+ / DSI0_D3+
S138	LVDS3-	<u>LVDS0_3- / eDP0_TX3- / DSI0_D3-</u>	LVDS0_3- / eDP0_TX3- / DSI0_D3-
S139	I2C_LCD_CK	I2C_LCD_CK	I2C_LCD_CK
S140	I2C_LCD_DAT	I2C_LCD_DAT	I2C_LCD_DAT
S141	LCD_BKLT_PWM	LCD0_BKLT_PWM	LCD0_BKLT_PWM
S142	RSVD	RSVD	<u>GPIO12</u>
S143	GND	GND	GND
S144	RSVD EDP_HPD	eDP0_HPD	eDP0_HPD / <u>DSI0_TE</u>
S145	WDT_TIME_OUT#	WDT_TIME_OUT#	WDT_TIME_OUT#
S146	PCIE_WAKE#	PCIE_WAKE#	PCIE_WAKE#
S147	VDD_RTC	VDD_RTC	VDD_RTC
S148	LID#	LID#	LID#
S149	SLEEP#	SLEEP#	SLEEP#
S150	VIN_PWR_BAD#	VIN_PWR_BAD#	VIN_PWR_BAD#
S151	CHARGING#	CHARGING#	CHARGING#
S152	CHARGER_PRSENT#	CHARGER_PRSENT#	CHARGER_PRSENT#
S153	CARRIER_STBY#	CARRIER_STBY#	CARRIER_STBY#
S154	CARRIER_PWR_ON	CARRIER_PWR_ON	CARRIER_PWR_ON
S155	FORCE_RECOV#	FORCE_RECOV#	FORCE_RECOV#
S156	BATLOW#	BATLOW#	BATLOW#
S157	TEST#	TEST#	TEST#
S158	GND	GND	GND

9.4 Signal Name Index

Audio

AUDIO_MCK	39, 40, 68, 99
HDA_CK	40, 41, 68, 100
HDA_RST#	40, 41, 58, 59, 70, 97
HDA_SDI	40, 41, 68, 100
HDA_SDO	40, 41, 68, 100
HDA_SYNC	40, 41, 68, 100
I2S0_CK	39, 68, 100
I2S0_LRCK	39, 68, 99
I2S0_SDIN	39, 68, 100
I2S0_SDOOUT	39, 68, 99
I2S2_CK	40, 41, 68, 100
I2S2_LRCK	40, 41, 68, 100
I2S2_SDIN	40, 41, 68, 100
I2S2_SDOOUT	40, 41, 68, 100

Camera

CAM_MCK	30, 32, 67, 99
CAM0_PWR#	29, 58, 59, 70, 97
CAM0_RST#	29, 58, 59, 70, 97
CAM1_PWR#	30, 58, 59, 70, 97
CAM1_RST#	30, 58, 59, 70, 97
CAM2_MCK	31
CAM2_PWR#	31
CAM2_RST#	31
CAM2_VCC	31
CAM3_MCK	32
CAM3_PWR#	32
CAM3_RST#	32
CAM3_VCC	32
CSI0_CK-	29, 67, 99
CSI0_CK+	29, 67, 99
CSI0_RX0-	29, 67, 99
CSI0_RX0+	29, 67, 99
CSI0_RX1-	29, 67, 99
CSI0_RX1+	29, 67, 99
CSI0_TX-	29, 67, 99
CSI0_TX+	29, 67, 99
CSI1_CK-	30, 67, 95
CSI1_CK+	30, 67, 95
CSI1_RX0-	29, 67, 95
CSI1_RX0+	29, 67, 95

CSI1_RX1-	29, 67, 95
CSI1_RX1+	29, 67, 95
CSI1_RX2-	29, 67, 95
CSI1_RX2+	29, 67, 95
CSI1_RX3-	29, 31, 67, 95
CSI1_RX3+	29, 67, 95
CSI1_TX-	30, 31, 32, 67, 99
CSI1_TX+	30, 31, 32, 67, 99
CSI2_CK-	31
CSI2_CK+	31
CSI2_RX0-	31
CSI2_RX0+	31
CSI2_RX1-	31
CSI2_RX1+	31
CSI2_RX2-	31
CSI2_RX2+	31
CSI2_RX3-	31
CSI2_RX3+	31
CSI2_TX-	31
CSI2_TX+	31
CSI3_CK-	32
CSI3_CK+	32
CSI3_RX0-	32
CSI3_RX0+	32
CSI3_RX1-	32
CSI3_RX1+	32
CSI3_RX2-	32
CSI3_RX2+	32
CSI3_RX3-	32
CSI3_RX3+	32
CSI3_TX-	32
CSI3_TX+	32
I2C_CAM0_CK	29, 67, 99
I2C_CAM0_DAT	29, 67, 99
I2C_CAM1_CK	30, 31, 32, 67, 99
I2C_CAM1_DAT	30, 31, 32, 67, 99
I2C_CAM2_CK	31
I2C_CAM2_DAT	31
I2C_CAM3_CK	32
I2C_CAM3_DAT	32

CAN

CAN0_RX	44, 71, 98
---------	------------

CAN0_TX	44, 71, 98
CAN1_RX	44, 71, 98
CAN1_TX	44, 71, 98

Display

DP0_AUX-	21, 24, 28, 70, 71, 101, 102
DP0_AUX_SEL	28, 70, 101
DP0_AUX+	28, 70, 71, 101, 102
DP0_HPD	28, 70, 101
DP0_LANE0-	28, 70, 101
DP0_LANE0+	28, 70, 101
DP0_LANE1-	28, 70, 101
DP0_LANE1+	28, 70, 101
DP0_LANE2-	28, 70, 101
DP0_LANE2+	28, 70, 101
DP0_LANE3-	28, 70, 101
DP0_LANE3+	28, 70, 101
DP1_AUX-	21, 24, 26, 27, 70, 97, 101
DP1_AUX_SEL	26, 70, 97
DP1_AUX+	26, 27, 70, 97, 101
DP1_HPD	26, 27, 70, 97
DP1_LANE0-	26, 27, 70, 97
DP1_LANE0+	26, 27, 70, 97
DP1_LANE1-	26, 27, 70, 97
DP1_LANE1+	26, 27, 70, 97
DP1_LANE2-	26, 27, 70, 97
DP1_LANE2+	26, 27, 70, 97
DP1_LANE3-	26, 27, 70, 97
DP1_LANE3+	26, 27, 70, 97
DSI0_CLK-	23, 24, 71, 102
DSI0_CLK+	23, 24, 71, 102
DSI0_D0-	23, 24, 70, 102
DSI0_D0+	23, 24, 70, 102
DSI0_D1-	23, 24, 71, 102
DSI0_D1+	23, 24, 71, 102
DSI0_D2-	23, 24, 71, 102
DSI0_D2+	23, 24, 71, 102
DSI0_D3-	23, 24, 71, 102
DSI0_D3+	23, 24, 71, 102
DSI0_TE	23, 24, 71, 102
DSI1_CLK-	23, 24, 70, 101
DSI1_CLK+	23, 24, 70, 101
DSI1_D0-	23, 24, 70, 101
DSI1_D0+	23, 24, 70, 101
DSI1_D1-	23, 24, 70, 101
DSI1_D1+	23, 24, 70, 101
DSI1_D2-	23, 24, 70, 101

DSI1_D2+	23, 24, 70, 101
DSI1_D3-	23, 24, 70, 102
DSI1_D3+	23, 24, 70, 101
DSI1_TE	23, 24, 70, 101
eDP0_AUX-	21, 24, 71, 102
eDP0_AUX+	21, 24, 71, 102
eDP0_HPD	21, 24, 71, 102
eDP0_TX0-	21, 24, 70, 102
eDP0_TX0+	21, 24, 70, 102
eDP0_TX1-	21, 24, 71, 102
eDP0_TX1+	21, 24, 71, 102
eDP0_TX2-	21, 24, 71, 102
eDP0_TX2+	21, 24, 71, 102
eDP0_TX3-	21, 24, 71, 102
eDP0_TX3+	21, 24, 71, 102
eDP1_AUX-	21, 24, 70, 101
eDP1_AUX+	21, 24, 70, 101
eDP1_HPD	22, 24, 70, 101
eDP1_TX0-	21, 24, 70, 101
eDP1_TX0+	21, 24, 70, 101
eDP1_TX1-	21, 24, 70, 101
eDP1_TX1+	21, 24, 70, 101
eDP1_TX2-	21, 24, 70, 101
eDP1_TX2+	21, 24, 70, 101
eDP1_TX3-	21, 24, 70, 102
eDP1_TX3+	21, 24, 70, 101
HDMI_CK-	25, 27, 70, 97
HDMI_CK+	25, 27, 70, 97
HDMI_CTRL_CK	25, 26, 27, 70, 97
HDMI_CTRL_DAT	25, 26, 27, 70, 97
HDMI_D0-	25, 27, 70, 97
HDMI_D0+	25, 27, 70, 97
HDMI_D1-	25, 27, 70, 97
HDMI_D1+	25, 27, 70, 97
HDMI_D2-	25, 27, 70, 97
HDMI_D2+	25, 27, 70, 97
HDMI_HPD	25, 27, 70, 97
LCD0_BKLT_EN	20, 21, 23, 24, 71, 102
LCD0_BKLT_PWM	20, 21, 23, 24, 71, 102
LCD0_VDD_EN	19, 21, 23, 24, 71, 102
LCD1_BKLT_EN	20, 21, 23, 24, 70, 101
LCD1_BKLT_PWM	20, 22, 23, 24, 70, 102
LCD1_VDD_EN	20, 21, 23, 24, 70, 101
LVDS0_0-	19, 24, 70, 102
LVDS0_0+	19, 24, 70, 102
LVDS0_1-	19, 71, 102
LVDS0_1+	19, 24, 71, 102

LVDS0_2-	19, 24, 71, 102
LVDS0_2+	19, 24, 71, 102
LVDS0_3-	19, 24, 71, 102
LVDS0_3+	19, 24, 71, 102
LVDS0_CK-	19, 24, 71, 102
LVDS0_CK+	19, 24, 71, 102
LVDS1_0-	20, 24, 70, 101
LVDS1_0+	20, 24, 70, 101
LVDS1_1-	20, 70, 101
LVDS1_1+	20, 24, 70, 101
LVDS1_2-	20, 24, 70, 101
LVDS1_2+	20, 24, 70, 101
LVDS1_3-	20, 24, 70, 102
LVDS1_3+	20, 24, 70, 101
LVDS1_CK-	20, 24, 70, 101
LVDS1_CK+	20, 24, 70, 101

ESPI

ESPI_ALERT0#	38, 68, 100
ESPI_ALERT1#	38, 68, 100
ESPI_CK	38, 68, 96
ESPI_CS0#	38, 68, 96
ESPI_CS1#	38, 68, 96
ESPI_IO_0	38, 68, 96
ESPI_IO_1	38, 68, 96
ESPI_IO_2	38, 68, 100
ESPI_IO_3	38, 68, 100
ESPI_RESET#	38, 68, 100

Ethernet

GBE0_CTREF	55, 68, 95
GBE0_LINK_ACT#	55, 67, 95
GBE0_LINK100#	55, 67, 95
GBE0_LINK1000#	55, 67, 95
GBE0_MDI0-	55, 68, 95
GBE0_MDI0+	55, 68, 95
GBE0_MDI1-	55, 67, 95
GBE0_MDI1+	55, 68, 95
GBE0_MDI2-	55, 67, 95
GBE0_MDI2+	55, 67, 95
GBE0_MDI3-	55, 67, 95
GBE0_MDI3+	55, 67, 95
GBE0_SDP	55, 67, 95
GBE1_CTREF	56, 68, 99
GBE1_LINK_ACT#	56, 68, 99
GBE1_LINK100#	56, 67, 99
GBE1_LINK1000#	56, 67, 99
GBE1_MDI0-	56, 67, 99

GBE1_MDI0+	56, 67, 99
GBE1_MDI1-	56, 67, 99
GBE1_MDI1+	56, 67, 99
GBE1_MDI2-	56, 67, 99
GBE1_MDI2+	56, 67, 99
GBE1_MDI3-	56, 67, 99
GBE1_MDI3+	56, 67, 99
GBE1_SDP	56, 67, 95

GPIO

GPIO0	29, 58, 59, 70, 97
GPIO1	30, 58, 59, 70, 97
GPIO10	58, 70, 97
GPIO11	58, 70, 98
GPIO12	58, 71, 102
GPIO13	58, 70, 102
GPIO2	29, 58, 59, 70, 97
GPIO3	30, 58, 59, 70, 97
GPIO4	58, 59, 70, 97
GPIO5	15, 58, 59, 70, 97
GPIO6	16, 58, 59, 70, 97
GPIO7	58, 70, 97
GPIO8	58, 70, 97
GPIO9	58, 70, 97

I2C

I2C_GP_CK	42, 68, 100
I2C_GP_DAT	42, 68, 100
I2C_LCD_CK	20, 22, 23, 24, 71, 102
I2C_LCD_DAT	20, 22, 23, 24, 71, 102
I2C_PM_CK	61, 70, 98
I2C_PM_DAT	61, 70, 98

Misc

BOOT_SEL0#	62, 63, 70, 98
BOOT_SEL1#	62, 63, 70, 98
BOOT_SEL2#	62, 63, 70, 98
FORCE_RECOV#	62, 71, 102
LID#	61, 71, 102
PWM_OUT	58, 59, 70, 97
RESET_IN#	60, 61, 65, 71, 98
RESET_OUT#	61, 71, 98
RSVD	67, 69, 96, 99, 100, 102
SLEEP#	60, 71, 102
SMB_ALERT#	61, 67, 95
TACHIN	58, 59, 70, 97
TEST#	61, 71, 102
WDT_TIME_OUT#	57, 71, 102

PCIe

PCIE_A_CKREQ#	50, 51, 69, 96
PCIE_A_REFCK-	50, 69, 97
PCIE_A_REFCK+	50, 69, 97
PCIE_A_RST#	50, 51, 69, 96
PCIE_A_RX-	50, 69, 97
PCIE_A_RX+	50, 69, 97
PCIE_A_TX-	50, 69, 97
PCIE_A_TX+	50, 69, 97
PCIE_B_CKREQ#	50, 51, 69, 96
PCIE_B_REFCK-	50, 69, 101
PCIE_B_REFCK+	50, 69, 101
PCIE_B_RST#	50, 51, 69, 100
PCIE_B_RX-	50, 69, 101
PCIE_B_RX+	50, 69, 101
PCIE_B_TX-	50, 69, 101
PCIE_B_TX+	50, 69, 101
PCIE_C_REFCK-	50, 53, 69, 97
PCIE_C_REFCK+	50, 53, 69, 97
PCIE_C_RST#	50, 51, 53, 69, 100
PCIE_C_RX-	50, 53, 69, 100
PCIE_C_RX+	50, 53, 69, 100
PCIE_C_TX-	50, 53, 69, 101
PCIE_C_TX+	50, 53, 69, 101
PCIE_D_RX-	50, 53, 68, 99
PCIE_D_RX+	50, 53, 68, 99
PCIE_D_TX-	50, 53, 68, 99
PCIE_D_TX+	50, 53, 68, 99
PCIE_WAKE#	12, 50, 71, 102

Power

BATLOW#	60, 71, 102
CARRIER_PWR_ON	16, 60, 71, 85, 86, 102
CARRIER_STBY#	60, 71, 85, 86, 102
CHARGER_PRSN#	60, 71, 102
CHARGING#	60, 71, 102
GND	26, 28, 31, 32, 46, 60, 62, 63, 64, 65, 67, 68, 69, 70, 71, 78, 79, 84, 95, 96, 97, 98, 99, 100, 101, 102
POWER_BTN#	61, 71, 98
VDD_IN	17, 60, 64, 71, 84, 86, 98
VDD_RTC	64, 71, 84, 102
VIN_PWR_BAD#	16, 60, 71, 85, 86, 102

QSPI

QSPI_CK	36, 38, 68, 96
QSPI_CS0#	36, 38, 68, 96
QSPI_CS1#	36, 38, 68, 96
QSPI_IO_0	36, 38, 68, 96

QSPI_IO_1	36, 38, 68, 96
QSPI_IO_2	36, 38, 68, 100
QSPI_IO_3	36, 38, 68, 100

SATA

SATA_ACT#	54, 68, 100
SATA_RX-	68, 96
SATA_RX+	68, 96
SATA_TX-	68, 96
SATA_TX+	68, 96

SDIO

SDIO_CD#	34, 68, 95
SDIO_CK	34, 68, 95
SDIO_CMD	34, 68, 95
SDIO_D0	34, 68, 96
SDIO_D1	34, 68, 96
SDIO_D2	34, 68, 96
SDIO_D3	34, 68, 96
SDIO_PWR_EN	34, 68, 95
SDIO_WP	34, 68, 95

SERDES

MDIO_CLK	52, 53, 68, 100
MDIO_DAT	52, 53, 68, 100
SERDES_0_RX-	52, 53, 68, 99
SERDES_0_RX+	52, 53, 68, 99
SERDES_0_TX-	52, 53, 68, 99
SERDES_0_TX+	52, 53, 68, 99
SERDES_1_RX-	52, 53, 69, 100
SERDES_1_RX+	52, 53, 69, 100
SERDES_1_TX-	52, 53, 69, 101
SERDES_1_TX+	52, 53, 69, 101

Serial

SER0_CTS#	43, 71, 98
SER0_RTS#	43, 71, 98
SER0_RX	43, 71, 98
SER0_TX	43, 71, 98
SER1_RX	43, 71, 98
SER1_TX	43, 71, 98
SER2_CTS#	43, 71, 98
SER2_RTS#	43, 71, 98
SER2_RX	43, 71, 98
SER2_TX	43, 71, 98
SER3_RX	43, 71, 98
SER3_TX	43, 71, 98

SPI

SPI0_CK	35, 68, 96
SPI0_CS0#	35, 68, 96
SPI0_CS1#	35, 68, 95
SPI0_DIN	35, 68, 96
SPI0_DO	35, 68, 96
SPI1_CK	35, 38, 68, 96
SPI1_CS0#	35, 38, 68, 96
SPI1_CS1#	35, 38, 68, 96
SPI1_DIN	35, 38, 68, 96
SPI1_DO	35, 38, 68, 96

USB

USB0-	46, 68, 96
USB0_EN_OC#	46, 69, 96
USB0_OTG_ID	46, 69, 96
USB0_VBUS_DET	46, 69, 96
USB0+	46, 68, 96
USB1-	46, 69, 96
USB1_EN_OC#	46, 69, 96
USB1+	46, 69, 96
USB2-	46, 69, 96

USB2_EN_OC#	46, 69, 96
USB2_SSRX-	46, 69, 100
USB2_SSRX+	46, 69, 100
USB2_SSTX-	46, 69, 100
USB2_SSTX+	46, 69, 100
USB2+	46, 69, 96
USB3-	46, 69, 100
USB3_EN_OC#	47, 69, 96
USB3_OTG_ID	47, 70, 101
USB3_SSRX-	46, 69, 100
USB3_SSRX+	46, 69, 100
USB3_SSTX-	46, 69, 100
USB3_SSTX+	46, 68, 100
USB3_VBUS_DET	47, 68, 99
USB3+	46, 69, 100
USB4-	47, 68, 99
USB4_EN_OC#	47, 69, 96
USB4+	47, 68, 99
USB5-	47, 68, 100
USB5_EN_OC#	47, 68, 100
USB5+	47, 68, 100



SMARC

module

© Copyright 2020, SGET Standardization Group for Embedded Technology e.V.