



AUO Display+

Product Specification

G101SAN01.2

- () Preliminary Specifications
- (V) Final Specifications

Module	10.1 Inch Color TFT-LCD
Model Name	G101SAN01.2 (97D10G39.201)


<table style="width: 100%; border-collapse: collapse;"> <tr> <td style="width: 50%; text-align: center;">Customer</td> <td style="width: 50%; text-align: center;">Date</td> </tr> <tr> <td style="height: 100px; vertical-align: bottom;"> <p style="text-align: center;">Checked & Approved by</p> <hr style="width: 80%; margin: auto;"/> </td> <td style="vertical-align: bottom;"> <hr style="width: 80%; margin: auto;"/> </td> </tr> </table>	Customer	Date	<p style="text-align: center;">Checked & Approved by</p> <hr style="width: 80%; margin: auto;"/>	<hr style="width: 80%; margin: auto;"/>	<table style="width: 100%; border-collapse: collapse;"> <tr> <td style="width: 50%; text-align: center;">Approved by</td> <td style="width: 50%; text-align: center;">Date</td> </tr> <tr> <td style="text-align: center;"> <p>_____ LeaDer Feng</p> </td> <td style="text-align: center;"> <p>_____ 2024/09/27</p> </td> </tr> <tr> <td style="width: 50%; text-align: center;">Prepared by</td> <td></td> </tr> <tr> <td style="text-align: center;"> <p>_____ DanI Lin</p> </td> <td style="text-align: center;"> <p>_____ 2024/09/27</p> </td> </tr> </table> <p style="text-align: center;">General Display Business Division / AUO Display Plus Corporation</p>	Approved by	Date	<p>_____ LeaDer Feng</p>	<p>_____ 2024/09/27</p>	Prepared by		<p>_____ DanI Lin</p>	<p>_____ 2024/09/27</p>
Customer	Date												
<p style="text-align: center;">Checked & Approved by</p> <hr style="width: 80%; margin: auto;"/>	<hr style="width: 80%; margin: auto;"/>												
Approved by	Date												
<p>_____ LeaDer Feng</p>	<p>_____ 2024/09/27</p>												
Prepared by													
<p>_____ DanI Lin</p>	<p>_____ 2024/09/27</p>												

Contents

1. Operating Precautions	5
2. General Description	6
2.1 Display Characteristics	6
2.2 Optical Characteristics	7
3. Functional Block Diagram	10
4. Absolute Maximum Ratings	11
4.1 Absolute Ratings of TFT LCD Module	11
4.2 Absolute Ratings of Environment	11
5. Electrical Characteristics	12
5.1 TFT LCD Module	12
5.2 Backlight Unit	13
6. Signal Characteristic	14
6.1 Pixel Format Image	14
6.2 Scanning Direction	14
6.3 Signal Description	15
6.4 The Input Data Format	17
6.5 Interface Timing	18
7. Typical Application Circuit	23
8. Connector & Pin Assignment	25
8.1 TFT LCD Module: Black light Connector	25
9. Reliability Test Criteria	26
10. Mechanical Characteristics	27
10.1 LCM Outline Dimension	27
11. Label and Packaging	28
11.1 Shipping Label (on the rear side of TFT-LCD display)	28
11.2 Carton Package	28
12. Safety	30
12.1 Sharp Edge Requirements	30
12.2 Materials	30
12.3 Capacitors	30
12.4 National Test Lab Requirement	30



AUO Display+
Record of Revision

Version and Date	Page	Old description	New Description																																																																																																															
0.0 Nov 27, 2023	23	7. Typical Application Circuit	Correct the circuit for AHVA model and consistent with 5.1.1 Power Specification definition 7. Typical Application Circuit																																																																																																															
	25	8.1 TFT LCD Module: Black light Connector <table border="1"> <tr> <th>Connector Name / Designation</th> <th>Signal Connector</th> </tr> <tr> <td>Manufacturer</td> <td>ENTERY or compatible</td> </tr> <tr> <td>Connector Model Number</td> <td>H201K-P02N-02B or compatible</td> </tr> <tr> <td>Adaptable Plug</td> <td>3802K-E02N-01R or compatible</td> </tr> </table>	Connector Name / Designation	Signal Connector	Manufacturer	ENTERY or compatible	Connector Model Number	H201K-P02N-02B or compatible	Adaptable Plug	3802K-E02N-01R or compatible	Modify Backlight light connector 8.1 TFT LCD Module: Black light Connector <table border="1"> <tr> <th>Connector Name / Designation</th> <th>Signal Connector</th> </tr> <tr> <td>Manufacturer</td> <td>ZHEJIANG LIANHE or compatible</td> </tr> <tr> <td>Connector Model Number</td> <td>A1251-H02 or compatible</td> </tr> <tr> <td>Adaptable Plug</td> <td>A1251-SR02 or 3802K-E02N-01R or compatible</td> </tr> </table>	Connector Name / Designation	Signal Connector	Manufacturer	ZHEJIANG LIANHE or compatible	Connector Model Number	A1251-H02 or compatible	Adaptable Plug	A1251-SR02 or 3802K-E02N-01R or compatible																																																																																															
Connector Name / Designation	Signal Connector																																																																																																																	
Manufacturer	ENTERY or compatible																																																																																																																	
Connector Model Number	H201K-P02N-02B or compatible																																																																																																																	
Adaptable Plug	3802K-E02N-01R or compatible																																																																																																																	
Connector Name / Designation	Signal Connector																																																																																																																	
Manufacturer	ZHEJIANG LIANHE or compatible																																																																																																																	
Connector Model Number	A1251-H02 or compatible																																																																																																																	
Adaptable Plug	A1251-SR02 or 3802K-E02N-01R or compatible																																																																																																																	
	24	LED Information <table border="1"> <tr> <th>LED Vendor</th> <th>LED Type</th> </tr> <tr> <td>JUFEI</td> <td>01. JB.CC4014W65P</td> </tr> </table>	LED Vendor	LED Type	JUFEI	01. JB.CC4014W65P	Correct LED type typo LED Information <table border="1"> <tr> <th>LED Vendor</th> <th>LED Type</th> </tr> <tr> <td>JUFEI</td> <td>01. JB.CC4014W65P02</td> </tr> </table>	LED Vendor	LED Type	JUFEI	01. JB.CC4014W65P02																																																																																																							
LED Vendor	LED Type																																																																																																																	
JUFEI	01. JB.CC4014W65P																																																																																																																	
LED Vendor	LED Type																																																																																																																	
JUFEI	01. JB.CC4014W65P02																																																																																																																	
	26	10.1 LCM Outline Dimension (Front View) 10.2 LCM Outline Dimension (Back View)	Add drawing version information and combine into one page 10.1 LCM Outline Dimension 																																																																																																															
0.1 Feb 22, 2024	12		Add Note 4 for VDD & IVDD 5.1 TFT LCD Module 5.1.1 Power Specification <table border="1"> <thead> <tr> <th>Item</th> <th>Symbol</th> <th>Min.</th> <th>Typ.</th> <th>Max.</th> <th>Unit</th> <th>Remark</th> </tr> </thead> <tbody> <tr> <td rowspan="10">Power supply</td> <td>VDD</td> <td>3.0</td> <td>3.3</td> <td>3.6</td> <td>V</td> <td>Note 2</td> </tr> <tr> <td>IVDD</td> <td>-</td> <td>6.5</td> <td>8.5</td> <td>mA</td> <td></td> </tr> <tr> <td>AVDD</td> <td>9.8</td> <td>10</td> <td>10.2</td> <td>V</td> <td>Note 2</td> </tr> <tr> <td>IVDD</td> <td>-</td> <td>16</td> <td>20</td> <td>mA</td> <td></td> </tr> <tr> <td>VGH</td> <td>17.5</td> <td>18</td> <td>18.5</td> <td>V</td> <td>Note 2</td> </tr> <tr> <td>IVGH</td> <td>-</td> <td>0.6</td> <td>1</td> <td>mA</td> <td></td> </tr> <tr> <td>VGL</td> <td>-8.5</td> <td>-8</td> <td>-7.5</td> <td>V</td> <td>Note 2</td> </tr> <tr> <td>IVGL</td> <td>-</td> <td>0.2</td> <td>1</td> <td>mA</td> <td></td> </tr> <tr> <td>VCOM</td> <td>3.1</td> <td>4.1</td> <td>5.1</td> <td>V</td> <td>Note 3</td> </tr> <tr> <td>IVCOM</td> <td>-</td> <td>0.3</td> <td>1</td> <td>mA</td> <td>Vcom=4.1V</td> </tr> <tr> <td rowspan="2">Input signal voltage</td> <td>H Level</td> <td>0.7xVDD</td> <td>0.7xVDD</td> <td>VDD</td> <td>V</td> <td></td> </tr> <tr> <td>L Level</td> <td>0</td> <td>0</td> <td>0.3xVDD</td> <td>V</td> <td>Note 1</td> </tr> </tbody> </table> <p>Note 4: It is suggested to connect with bypass capacitors to VDD to reduce inrush current under 500mA(<1ms).</p>	Item	Symbol	Min.	Typ.	Max.	Unit	Remark	Power supply	VDD	3.0	3.3	3.6	V	Note 2	IVDD	-	6.5	8.5	mA		AVDD	9.8	10	10.2	V	Note 2	IVDD	-	16	20	mA		VGH	17.5	18	18.5	V	Note 2	IVGH	-	0.6	1	mA		VGL	-8.5	-8	-7.5	V	Note 2	IVGL	-	0.2	1	mA		VCOM	3.1	4.1	5.1	V	Note 3	IVCOM	-	0.3	1	mA	Vcom=4.1V	Input signal voltage	H Level	0.7xVDD	0.7xVDD	VDD	V		L Level	0	0	0.3xVDD	V	Note 1																														
Item	Symbol	Min.	Typ.	Max.	Unit	Remark																																																																																																												
Power supply	VDD	3.0	3.3	3.6	V	Note 2																																																																																																												
	IVDD	-	6.5	8.5	mA																																																																																																													
	AVDD	9.8	10	10.2	V	Note 2																																																																																																												
	IVDD	-	16	20	mA																																																																																																													
	VGH	17.5	18	18.5	V	Note 2																																																																																																												
	IVGH	-	0.6	1	mA																																																																																																													
	VGL	-8.5	-8	-7.5	V	Note 2																																																																																																												
	IVGL	-	0.2	1	mA																																																																																																													
	VCOM	3.1	4.1	5.1	V	Note 3																																																																																																												
	IVCOM	-	0.3	1	mA	Vcom=4.1V																																																																																																												
Input signal voltage	H Level	0.7xVDD	0.7xVDD	VDD	V																																																																																																													
	L Level	0	0	0.3xVDD	V	Note 1																																																																																																												
	15~16		Add Note 6 for VDD 6.3 Signal Description Recommended connector: 089H50-000100-G2-R (STARCONN) <table border="1"> <thead> <tr> <th>Pin no.</th> <th>Symbol</th> <th>I/O</th> <th>Function</th> <th>Remark</th> </tr> </thead> <tbody> <tr> <td>1</td> <td>NC</td> <td>-</td> <td>No connection</td> <td></td> </tr> <tr> <td>2</td> <td>NC</td> <td>-</td> <td>No connection</td> <td></td> </tr> <tr> <td>3</td> <td>NC</td> <td>-</td> <td>No connection</td> <td></td> </tr> <tr> <td>4</td> <td>NC</td> <td>-</td> <td>No connection</td> <td></td> </tr> <tr> <td>5</td> <td>GND</td> <td>P</td> <td>Power ground</td> <td></td> </tr> <tr> <td>6</td> <td>VCOM</td> <td>P</td> <td>Common voltage</td> <td></td> </tr> <tr> <td>7</td> <td>VDD</td> <td>P</td> <td>Digital Power</td> <td>Note 6</td> </tr> </tbody> </table> <p>Note 6: It is suggested to connect with bypass capacitors to VDD to reduce inrush current under 500mA(<1ms).</p>	Pin no.	Symbol	I/O	Function	Remark	1	NC	-	No connection		2	NC	-	No connection		3	NC	-	No connection		4	NC	-	No connection		5	GND	P	Power ground		6	VCOM	P	Common voltage		7	VDD	P	Digital Power	Note 6																																																																							
Pin no.	Symbol	I/O	Function	Remark																																																																																																														
1	NC	-	No connection																																																																																																															
2	NC	-	No connection																																																																																																															
3	NC	-	No connection																																																																																																															
4	NC	-	No connection																																																																																																															
5	GND	P	Power ground																																																																																																															
6	VCOM	P	Common voltage																																																																																																															
7	VDD	P	Digital Power	Note 6																																																																																																														
	21~22	6.6 Power ON/OFF Sequence <table border="1"> <thead> <tr> <th rowspan="2">Parameter</th> <th colspan="3">Value</th> <th rowspan="2">Units</th> </tr> <tr> <th>Min.</th> <th>Typ.</th> <th>Max.</th> </tr> </thead> <tbody> <tr> <td>T1</td> <td>0.5</td> <td>-</td> <td>20</td> <td>ms</td> </tr> <tr> <td>T2</td> <td>50</td> <td>-</td> <td>1000</td> <td>us</td> </tr> <tr> <td>T3</td> <td>16</td> <td>-</td> <td>20</td> <td>ms</td> </tr> <tr> <td>T4</td> <td>16</td> <td>-</td> <td>20</td> <td>ms</td> </tr> <tr> <td>T5</td> <td>16</td> <td>-</td> <td>20</td> <td>ms</td> </tr> <tr> <td>T6</td> <td>100</td> <td>-</td> <td>-</td> <td>ms</td> </tr> <tr> <td>T7</td> <td>20</td> <td>-</td> <td>-</td> <td>ms</td> </tr> <tr> <td>T8</td> <td>0</td> <td>-</td> <td>20</td> <td>ms</td> </tr> <tr> <td>T9</td> <td>5</td> <td>-</td> <td>-</td> <td>ms</td> </tr> <tr> <td>T10</td> <td>1000</td> <td>-</td> <td>-</td> <td>ms</td> </tr> </tbody> </table>	Parameter	Value			Units	Min.	Typ.	Max.	T1	0.5	-	20	ms	T2	50	-	1000	us	T3	16	-	20	ms	T4	16	-	20	ms	T5	16	-	20	ms	T6	100	-	-	ms	T7	20	-	-	ms	T8	0	-	20	ms	T9	5	-	-	ms	T10	1000	-	-	ms	Follow customer request modify Power ON/OFF sequenc setting 6.6 Power ON/OFF Sequence <table border="1"> <thead> <tr> <th rowspan="2">Parameter</th> <th colspan="3">Value</th> <th rowspan="2">Units</th> </tr> <tr> <th>Min.</th> <th>Typ.</th> <th>Max.</th> </tr> </thead> <tbody> <tr> <td>T1</td> <td>50</td> <td>-</td> <td>-</td> <td>us</td> </tr> <tr> <td>T2</td> <td>16</td> <td>-</td> <td>-</td> <td>ms</td> </tr> <tr> <td>T3</td> <td>16</td> <td>-</td> <td>-</td> <td>ms</td> </tr> <tr> <td>T4</td> <td>16</td> <td>-</td> <td>-</td> <td>ms</td> </tr> <tr> <td>T5</td> <td>100</td> <td>-</td> <td>-</td> <td>ms</td> </tr> <tr> <td>T6</td> <td>20</td> <td>-</td> <td>-</td> <td>ms</td> </tr> <tr> <td>T7</td> <td>0</td> <td>-</td> <td>20</td> <td>ms</td> </tr> <tr> <td>T8</td> <td>5</td> <td>-</td> <td>-</td> <td>ms</td> </tr> <tr> <td>T9</td> <td>1000</td> <td>-</td> <td>-</td> <td>ms</td> </tr> </tbody> </table>	Parameter	Value			Units	Min.	Typ.	Max.	T1	50	-	-	us	T2	16	-	-	ms	T3	16	-	-	ms	T4	16	-	-	ms	T5	100	-	-	ms	T6	20	-	-	ms	T7	0	-	20	ms	T8	5	-	-	ms	T9	1000	-	-	ms
Parameter	Value			Units																																																																																																														
	Min.	Typ.	Max.																																																																																																															
T1	0.5	-	20	ms																																																																																																														
T2	50	-	1000	us																																																																																																														
T3	16	-	20	ms																																																																																																														
T4	16	-	20	ms																																																																																																														
T5	16	-	20	ms																																																																																																														
T6	100	-	-	ms																																																																																																														
T7	20	-	-	ms																																																																																																														
T8	0	-	20	ms																																																																																																														
T9	5	-	-	ms																																																																																																														
T10	1000	-	-	ms																																																																																																														
Parameter	Value			Units																																																																																																														
	Min.	Typ.	Max.																																																																																																															
T1	50	-	-	us																																																																																																														
T2	16	-	-	ms																																																																																																														
T3	16	-	-	ms																																																																																																														
T4	16	-	-	ms																																																																																																														
T5	100	-	-	ms																																																																																																														
T6	20	-	-	ms																																																																																																														
T7	0	-	20	ms																																																																																																														
T8	5	-	-	ms																																																																																																														
T9	1000	-	-	ms																																																																																																														



AUO Display+

Product Specification

G101SAN01.2

1.0 May 09, 2024			Final Specifications																																																																																																																																																																		
1.1 Sep 27, 2024	12	<p>5.1.1 Power Specification</p> <table border="1"> <thead> <tr> <th>Item</th> <th>Symbol</th> <th>Min.</th> <th>Typ.</th> <th>Max.</th> <th>Unit</th> <th>Remark</th> </tr> </thead> <tbody> <tr> <td rowspan="10">Power supply</td> <td>VDD</td> <td>3.0</td> <td>3.3</td> <td>3.6</td> <td>V</td> <td>Note 2, 4</td> </tr> <tr> <td>IVDD</td> <td>-</td> <td>6.5</td> <td>8.5</td> <td>mA</td> <td></td> </tr> <tr> <td>AVDD</td> <td>9.8</td> <td>10</td> <td>10.2</td> <td>V</td> <td>Note 2</td> </tr> <tr> <td>I_{AVDD}</td> <td>-</td> <td>16</td> <td>20</td> <td>mA</td> <td></td> </tr> <tr> <td>VGH</td> <td>17.5</td> <td>18</td> <td>18.5</td> <td>V</td> <td>Note 2</td> </tr> <tr> <td>IVGH</td> <td>-</td> <td>0.6</td> <td>1</td> <td>mA</td> <td></td> </tr> <tr> <td>VGL</td> <td>-8.5</td> <td>-8</td> <td>-7.5</td> <td>V</td> <td>Note 2</td> </tr> <tr> <td>IVGL</td> <td>-</td> <td>0.2</td> <td>1</td> <td>mA</td> <td></td> </tr> <tr> <td>VCOM</td> <td>3.1</td> <td>4.1</td> <td>5.1</td> <td>V</td> <td>Note 3</td> </tr> <tr> <td>I_{VCOM}</td> <td>-</td> <td>0.3</td> <td>1</td> <td>mA</td> <td>V_{com}=4.1V</td> </tr> <tr> <td rowspan="2">Input-signal-voltage</td> <td>H Level</td> <td>0.7×VDD</td> <td>-</td> <td>VDD</td> <td>V</td> <td></td> </tr> <tr> <td>L Level</td> <td>0</td> <td>0</td> <td>0.3×VDD</td> <td>V</td> <td>Note 1</td> </tr> </tbody> </table>	Item	Symbol	Min.	Typ.	Max.	Unit	Remark	Power supply	VDD	3.0	3.3	3.6	V	Note 2, 4	IVDD	-	6.5	8.5	mA		AVDD	9.8	10	10.2	V	Note 2	I _{AVDD}	-	16	20	mA		VGH	17.5	18	18.5	V	Note 2	IVGH	-	0.6	1	mA		VGL	-8.5	-8	-7.5	V	Note 2	IVGL	-	0.2	1	mA		VCOM	3.1	4.1	5.1	V	Note 3	I _{VCOM}	-	0.3	1	mA	V _{com} =4.1V	Input-signal-voltage	H Level	0.7×VDD	-	VDD	V		L Level	0	0	0.3×VDD	V	Note 1	<p>Modify Symbol typo</p> <p>5.1.1 Power Specification</p> <table border="1"> <thead> <tr> <th>Item</th> <th>Symbol</th> <th>Min.</th> <th>Typ.</th> <th>Max.</th> <th>Unit</th> <th>Remark</th> </tr> </thead> <tbody> <tr> <td rowspan="10">Power supply</td> <td>VDD</td> <td>3.0</td> <td>3.3</td> <td>3.6</td> <td>V</td> <td>Note 2, 4</td> </tr> <tr> <td>IVDD</td> <td>-</td> <td>6.5</td> <td>8.5</td> <td>mA</td> <td></td> </tr> <tr> <td>AVDD</td> <td>9.8</td> <td>10</td> <td>10.2</td> <td>V</td> <td>Note 2</td> </tr> <tr> <td>I_{AVDD}</td> <td>-</td> <td>16</td> <td>20</td> <td>mA</td> <td></td> </tr> <tr> <td>VGH</td> <td>17.5</td> <td>18</td> <td>18.5</td> <td>V</td> <td>Note 2</td> </tr> <tr> <td>IVGH</td> <td>-</td> <td>0.6</td> <td>1</td> <td>mA</td> <td></td> </tr> <tr> <td>VGL</td> <td>-8.5</td> <td>-8</td> <td>-7.5</td> <td>V</td> <td>Note 2</td> </tr> <tr> <td>IVGL</td> <td>-</td> <td>0.2</td> <td>1</td> <td>mA</td> <td></td> </tr> <tr> <td>VCOM</td> <td>3.1</td> <td>4.1</td> <td>5.1</td> <td>V</td> <td>Note 3</td> </tr> <tr> <td>I_{VCOM}</td> <td>-</td> <td>0.3</td> <td>1</td> <td>mA</td> <td>V_{com}=4.1V</td> </tr> <tr> <td rowspan="2">Input-signal-voltage</td> <td>H Level</td> <td>V_{sp}</td> <td>0.7×VDD</td> <td>VDD</td> <td>V</td> <td></td> </tr> <tr> <td>L Level</td> <td>V_s</td> <td>0</td> <td>0.3×VDD</td> <td>V</td> <td>Note 1</td> </tr> </tbody> </table>	Item	Symbol	Min.	Typ.	Max.	Unit	Remark	Power supply	VDD	3.0	3.3	3.6	V	Note 2, 4	IVDD	-	6.5	8.5	mA		AVDD	9.8	10	10.2	V	Note 2	I _{AVDD}	-	16	20	mA		VGH	17.5	18	18.5	V	Note 2	IVGH	-	0.6	1	mA		VGL	-8.5	-8	-7.5	V	Note 2	IVGL	-	0.2	1	mA		VCOM	3.1	4.1	5.1	V	Note 3	I _{VCOM}	-	0.3	1	mA	V _{com} =4.1V	Input-signal-voltage	H Level	V _{sp}	0.7×VDD	VDD	V		L Level	V _s	0	0.3×VDD	V	Note 1
Item	Symbol	Min.	Typ.	Max.	Unit	Remark																																																																																																																																																															
Power supply	VDD	3.0	3.3	3.6	V	Note 2, 4																																																																																																																																																															
	IVDD	-	6.5	8.5	mA																																																																																																																																																																
	AVDD	9.8	10	10.2	V	Note 2																																																																																																																																																															
	I _{AVDD}	-	16	20	mA																																																																																																																																																																
	VGH	17.5	18	18.5	V	Note 2																																																																																																																																																															
	IVGH	-	0.6	1	mA																																																																																																																																																																
	VGL	-8.5	-8	-7.5	V	Note 2																																																																																																																																																															
	IVGL	-	0.2	1	mA																																																																																																																																																																
	VCOM	3.1	4.1	5.1	V	Note 3																																																																																																																																																															
	I _{VCOM}	-	0.3	1	mA	V _{com} =4.1V																																																																																																																																																															
Input-signal-voltage	H Level	0.7×VDD	-	VDD	V																																																																																																																																																																
	L Level	0	0	0.3×VDD	V	Note 1																																																																																																																																																															
Item	Symbol	Min.	Typ.	Max.	Unit	Remark																																																																																																																																																															
Power supply	VDD	3.0	3.3	3.6	V	Note 2, 4																																																																																																																																																															
	IVDD	-	6.5	8.5	mA																																																																																																																																																																
	AVDD	9.8	10	10.2	V	Note 2																																																																																																																																																															
	I _{AVDD}	-	16	20	mA																																																																																																																																																																
	VGH	17.5	18	18.5	V	Note 2																																																																																																																																																															
	IVGH	-	0.6	1	mA																																																																																																																																																																
	VGL	-8.5	-8	-7.5	V	Note 2																																																																																																																																																															
	IVGL	-	0.2	1	mA																																																																																																																																																																
	VCOM	3.1	4.1	5.1	V	Note 3																																																																																																																																																															
	I _{VCOM}	-	0.3	1	mA	V _{com} =4.1V																																																																																																																																																															
Input-signal-voltage	H Level	V _{sp}	0.7×VDD	VDD	V																																																																																																																																																																
	L Level	V _s	0	0.3×VDD	V	Note 1																																																																																																																																																															
	21~22	<table border="1"> <thead> <tr> <th rowspan="2">Parameter</th> <th colspan="3">Value</th> <th rowspan="2">Units</th> </tr> <tr> <th>Min.</th> <th>Typ.</th> <th>Max.</th> </tr> </thead> <tbody> <tr> <td>T1</td> <td>50</td> <td>-</td> <td>-</td> <td>us</td> </tr> <tr> <td>T2</td> <td>16</td> <td>-</td> <td>-</td> <td>ms</td> </tr> <tr> <td>T3</td> <td>16</td> <td>-</td> <td>-</td> <td>ms</td> </tr> <tr> <td>T4</td> <td>16</td> <td>-</td> <td>-</td> <td>ms</td> </tr> <tr> <td>T5</td> <td>100</td> <td>-</td> <td>-</td> <td>ms</td> </tr> <tr> <td>T6</td> <td>20</td> <td>-</td> <td>-</td> <td>ms</td> </tr> <tr> <td>T7</td> <td>0</td> <td>-</td> <td>20</td> <td>ms</td> </tr> <tr> <td>T8</td> <td>5</td> <td>-</td> <td>-</td> <td>ms</td> </tr> <tr> <td>T9</td> <td>1000</td> <td>-</td> <td>-</td> <td>ms</td> </tr> </tbody> </table>	Parameter	Value			Units	Min.	Typ.	Max.	T1	50	-	-	us	T2	16	-	-	ms	T3	16	-	-	ms	T4	16	-	-	ms	T5	100	-	-	ms	T6	20	-	-	ms	T7	0	-	20	ms	T8	5	-	-	ms	T9	1000	-	-	ms	<p>Add T1 Timing of Power ON/OFF sequence setting for general specificatin</p> <table border="1"> <thead> <tr> <th rowspan="2">Parameter</th> <th colspan="3">Value</th> <th rowspan="2">Units</th> </tr> <tr> <th>Min.</th> <th>Typ.</th> <th>Max.</th> </tr> </thead> <tbody> <tr> <td>T1</td> <td>0.5</td> <td>-</td> <td>20</td> <td>-</td> </tr> <tr> <td>T2</td> <td>50</td> <td>-</td> <td>1000</td> <td>us</td> </tr> <tr> <td>T3</td> <td>16</td> <td>-</td> <td>20</td> <td>ms</td> </tr> <tr> <td>T4</td> <td>16</td> <td>-</td> <td>20</td> <td>ms</td> </tr> <tr> <td>T5</td> <td>16</td> <td>-</td> <td>20</td> <td>ms</td> </tr> <tr> <td>T6</td> <td>100</td> <td>-</td> <td>-</td> <td>ms</td> </tr> <tr> <td>T7</td> <td>20</td> <td>-</td> <td>-</td> <td>ms</td> </tr> <tr> <td>T8</td> <td>0</td> <td>-</td> <td>20</td> <td>ms</td> </tr> <tr> <td>T9</td> <td>5</td> <td>-</td> <td>-</td> <td>ms</td> </tr> <tr> <td>T10</td> <td>1000</td> <td>-</td> <td>-</td> <td>ms</td> </tr> </tbody> </table>	Parameter	Value			Units	Min.	Typ.	Max.	T1	0.5	-	20	-	T2	50	-	1000	us	T3	16	-	20	ms	T4	16	-	20	ms	T5	16	-	20	ms	T6	100	-	-	ms	T7	20	-	-	ms	T8	0	-	20	ms	T9	5	-	-	ms	T10	1000	-	-	ms																																																			
Parameter	Value			Units																																																																																																																																																																	
	Min.	Typ.	Max.																																																																																																																																																																		
T1	50	-	-	us																																																																																																																																																																	
T2	16	-	-	ms																																																																																																																																																																	
T3	16	-	-	ms																																																																																																																																																																	
T4	16	-	-	ms																																																																																																																																																																	
T5	100	-	-	ms																																																																																																																																																																	
T6	20	-	-	ms																																																																																																																																																																	
T7	0	-	20	ms																																																																																																																																																																	
T8	5	-	-	ms																																																																																																																																																																	
T9	1000	-	-	ms																																																																																																																																																																	
Parameter	Value			Units																																																																																																																																																																	
	Min.	Typ.	Max.																																																																																																																																																																		
T1	0.5	-	20	-																																																																																																																																																																	
T2	50	-	1000	us																																																																																																																																																																	
T3	16	-	20	ms																																																																																																																																																																	
T4	16	-	20	ms																																																																																																																																																																	
T5	16	-	20	ms																																																																																																																																																																	
T6	100	-	-	ms																																																																																																																																																																	
T7	20	-	-	ms																																																																																																																																																																	
T8	0	-	20	ms																																																																																																																																																																	
T9	5	-	-	ms																																																																																																																																																																	
T10	1000	-	-	ms																																																																																																																																																																	

1. Operating Precautions

- 1) Since front polarizer is easily damaged, please be cautious and not to scratch it.
- 2) Be sure to turn off power supply when inserting or disconnecting from input connector.
- 3) Wipe off water drop immediately. Long contact with water may cause discoloration or spots.
- 4) When the panel surface is soiled, wipe it with absorbent cotton or soft cloth.
- 5) Since the panel is made of glass, it may be broken or cracked if dropped or bumped on hard surface.
- 6) To avoid ESD (Electro Static Discharge) damage, be sure to ground yourself before handling TFT-LCD Module.
- 7) Do not open nor modify the module assembly.
- 8) Do not press the reflector sheet at the back of the module to any direction.
- 9) In case if a module has to be put back into the packing container slot after it was taken out from the container, do not press the center of the LED light bar edge. Instead, press at the far ends of the LED light bar edge softly. Otherwise the TFT Module may be damaged.
- 10) At the insertion or removal of the Signal Interface Connector, be sure not to rotate nor tilt the Interface Connector of the TFT Module.
- 11) TFT-LCD Module is not allowed to be twisted & bent even force is added on module in a very short time. Please design your display product well to avoid external force applying to module by end-user directly.
- 12) Small amount of materials having no flammability grade is used in the LCD module. The LCD module should be supplied by power complied with requirements of Limited Power Source (IEC60950 or UL1950), or be applied exemption.
- 13) Severe temperature condition may result in different luminance, response time and lamp ignition voltage.
- 14) Continuous operating TFT-LCD display under low temperature environment may accelerate lamp exhaustion and reduce luminance dramatically.
- 15) The data on this specification sheet is applicable when LCD module is placed in landscape position.
- 16) Continuous displaying fixed pattern may induce image sticking. It's recommended to use screen saver or shuffle content periodically if fixed pattern is displayed on the screen.

2. General Description

This specification applies to the Color Active Matrix Liquid Crystal Display G101SAN01.2 composed of a TFT-LCD display, a driver and power supply circuit, and a LED backlight. The screen format is intended to support Wide SVGA (1024(H) x 600(V)) screen and 262k/16.7M colors (RGB 18/24-bits). And PCBA is not embedded in G101SAN01.2.

All input signals are RGB interface.

G101SAN01.2 designed with wide viewing angle; wide temperature and long life LED backlight (30k hrs) is well suited for industrial applications.

G101SAN01.2 is a RoHS product.

2.1 Display Characteristics

The following items are characteristics summary on the table under 25 °C condition:

Items	Unit	Specifications
Screen Diagonal	[inch]	10.1
Active Area	[mm]	222.72(H) x 125.28(V)
Pixels H x V		1024 (RGB)x 600
Pixel Pitch	[mm]	0.2175(H)x0.2088(V)
Pixel Arrangement		R. G. B. Stripe
Display Mode		AHVA, Normally Black
Nominal Input Voltage VDD	[Volt]	3.3 (typ.)
Typical Power Consumption	[Watt]	2.369 (typ.) BLU 2.124W+ LCD 0.245W @all White pattern
Weight	[Grams]	320 (max.)
Physical Size	[mm]	235(H)x143(V)x5(T) (typ.)
Electrical Interface		RGB
Surface Treatment		AG, (3H)
Support Color		262K/16.7M colors
Color Gamut	[%]	60 (Typ.)
Temperature Range		
Operating	[°C]	-10 to +60
Storage (Non-Operating)	[°C]	-30 to +70
RoHS Compliance		RoHS Compliance

2.2 Optical Characteristics

The optical characteristics are measured under stable conditions at 25 °C (Room Temperature):

Item	Unit	Conditions	Min.	Typ.	Max.	Note
White Luminance	[cd/m ²]	I _F = 30 mA (center point)	280	350		1
Uniformity	%	5 points	75	80		2,3
Contrast Ratio			800	1000		4
Response Time	[msec]	Rising + Falling		25	30	5
Viewing Angle	[degree]	Horizontal (Right) CR = 10 (Left)	80	89		6
	[degree]		80	89		
	[degree]	Vertical (Upper) CR = 10 (Lower)	80	89		
	[degree]		80	89		
Color / Chromaticity Coordinates (CIE 1931)		Red x	0.569	0.619	0.669	
		Red y	0.305	0.355	0.405	
		Green x	0.278	0.328	0.378	
		Green y	0.564	0.614	0.664	
		Blue x	0.102	0.152	0.202	
		Blue y	0.073	0.123	0.173	
		White x	0.263	0.313	0.363	
		White y	0.279	0.329	0.379	

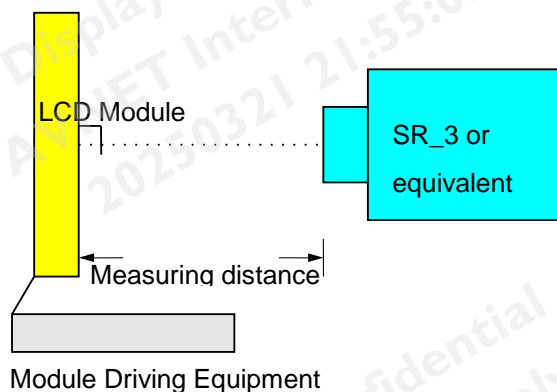
Note 1: Measurement method

Equipment Pattern Generator, Power Supply, Digital Voltmeter, Luminance meter (SR_3 or equivalent)

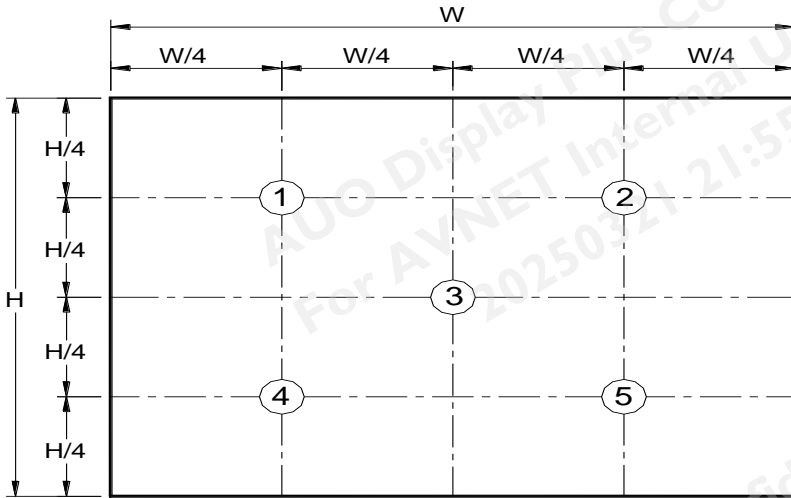
Aperture 1° with 50cm viewing distance

Test Point Center

Environment < 1 lux



Note 2: Definition of 5 points position (Display active area: 222.72(H) x 125.28(V))



Note 3: The luminance uniformity of 5 points is defined by dividing the minimum luminance values by the maximum test point luminance

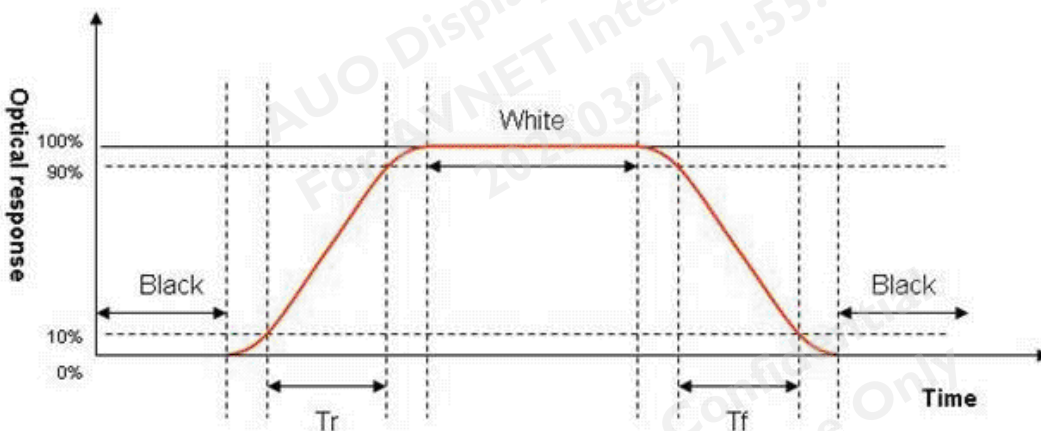
$$\delta w_5 = \frac{\text{Minimum Brightness of five points}}{\text{Maximum Brightness of five points}}$$

Note 4: Definition of contrast ratio (CR):

$$\text{Contrast ratio (CR)} = \frac{\text{Brightness on the "White" state}}{\text{Brightness on the "Black" state}}$$

Note 5: Definition of response time:

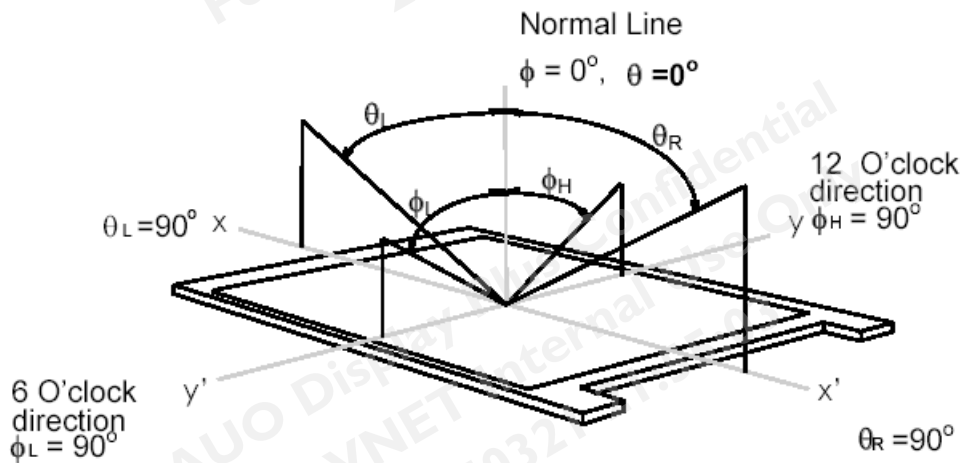
The output signals of photo detector are measured when the input signals are changed from "White" to "Black" (falling time) and from "Black" to "White" (rising time), respectively. The response time interval is between 10% and 90% of amplitudes. Please refer to the figure as below.



AUO Display+

Note 6: Definition of viewing angle

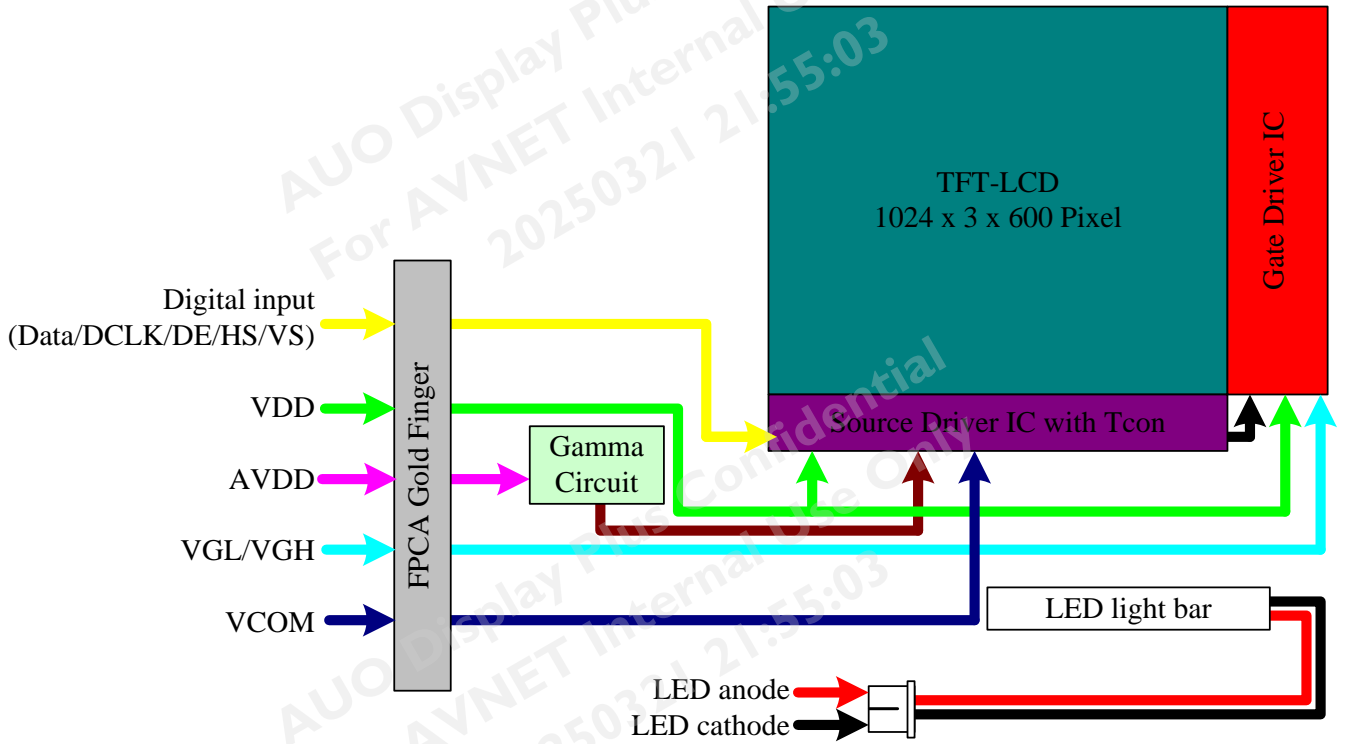
Viewing angle is the measurement of contrast ratio ≥ 10 , at the screen center, over a 180° horizontal and 180° vertical range (off-normal viewing angles). The 180° viewing angle range is broken down as below: 90° (θ) horizontal left and right, and 90° (Φ) vertical high (up) and low (down). The measurement direction is typically perpendicular to the display surface with the screen rotated to its center to develop the desired measurement viewing angle.



AUO Display+

3. Functional Block Diagram

The following diagram shows the functional block of the 10.1 inch color TFT/LCD module:



AUO Display+

4. Absolute Maximum Ratings

4.1 Absolute Ratings of TFT LCD Module

Item	Symbol	Condition	Min	Max	Unit	Remark
Power voltage	VDD	GND=0	-0.3	5	V	Note 2,3
	AVDD	GND=0	-0.3	15	V	Note 2,3
	VGH	GND=0	-0.3	VGL+40	V	Note 2,3
	VGL		-20	0.3	V	Note 2,3
	VGH – VGL		-0.3	40	V	Note 2,3
	VCOM		0	5.5	V	Note 2,3
Input signal voltage	VI	GND=0	-0.3	VDD+0.3	V	Note 1,2,3

Note 1: Digital Data.

Note 2: Functional operation should be restricted under ambient temperature. (25°C).

Note 3: Maximum ratings are those values beyond which damages to the device may occur. Functional operation should be restricted to the limits in the electrical characteristics chapter.

4.2 Absolute Ratings of Environment

Item	Symbol	Min	Max	Unit
Operating Temperature	TOP	-10	60	[°C]
Operating humidity	HOP	5	95	[%RH]
Storage Temperature	TST	-30	70	[°C]
Storage humidity	HST	5	95	[%RH]

Note: Maximum Wet-Bulb should be 39 °C and no condensation.

AUO Display+

5. Electrical Characteristics

5.1 TFT LCD Module

5.1.1 Power Specification

Item	Symbol	Min.	Typ.	Max.	Unit	Remark
Power supply	VDD	3.0	3.3	3.6	V	Note 2,4
	IVDD	-	6.5	8.5	mA	
	AVDD	9.8	10	10.2	V	Note 2
	IADVDD	-	16	20	mA	
	VGH	17.5	18	18.5	V	Note 2
	IVGH	-	0.6	1	mA	
	VGL	-8.5	-8	-7.5	V	Note 2
	IVGL	-	0.2	1	mA	
	VCOM	3.1	4.1	5.1	V	Note 3
	IVCOM	-	0.3	1	mA	Vcom=4.1V
Input signal voltage	H Level	V_{IH}	$0.7 \times VDD$	-	VDD	Note 1
	L Level	V_{IL}	0	-	$0.3 \times VDD$	

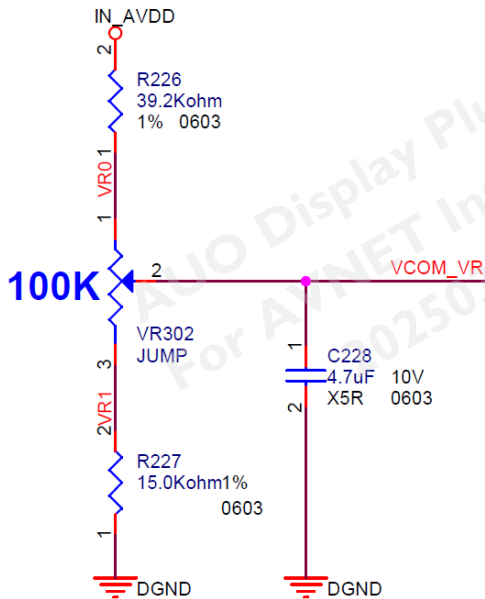
Note 1 : Digital Data

Note 2 : Typical current test pattern



Note 3: Typical VCOM is only a reference value.

It must be adjusted to optimize display quality. (Flicker, Image Sticking, Cross talk, Contrast Ratio and etc.) Suggest use VR and base on below application circuit.



Note 4: It is suggested to connect with bypass capacitors to VDD to reduce inrush current under 500mA(<1ms).

AUO Display+

5.2 Backlight Unit

5.2.1 Parameter guideline for LED

Following characteristics are measured under a stable condition using an inverter at 25°C(Room Temperature):

Item	Symbol	Min.	Typ.	Max.	Unit	Remark
LED Forward Current	I_F		30		[mA]	Ta = 25°C, Note 2
LED Forward Voltage	V_F		23.6	26.4	[Volt]	$I_F = 30\text{mA}$, Ta = 25°C , Note 2
LED Power Consumption	P_{LED}		2.124	2.376	[Watt]	$I_F = 30\text{mA}$, Ta = 25°C (Total channels)
LED Life Time		30000	50000		Hrs	$I_F=30\text{mA}$, Ta = 25°C

Note 1: Ta means ambient temperature of TFT-LCD module.

Note 2: I_F , V_F are defined for one channel LED. There are three LED channels in back light unit.

Note 3: If G101SAN01.2 module is driven by high current or at high ambient temperature & humidity condition. The operating life will be reduced.

Note 4: Operating life means brightness goes down to 50% initial brightness. LED operating lifetime is estimated data.

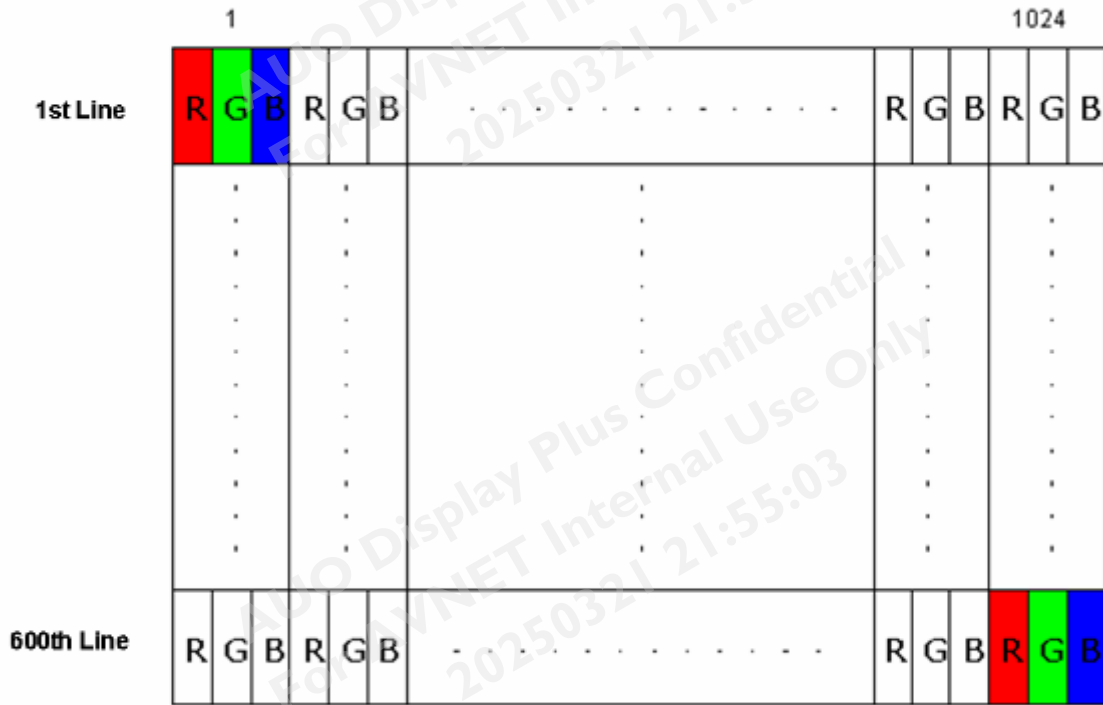
Note 5: LEDs for back light unit . 24 pcs = 8 (Serial) × 3 (Parallel)

AUO Display+

6. Signal Characteristic

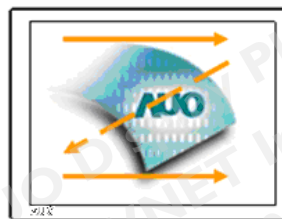
6.1 Pixel Format Image

Following figure shows the relationship between input signal and LCD pixel format.



6.2 Scanning Direction

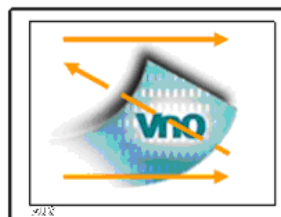
The following figures show the image seen from the front view. The arrow indicates the direction of scan.



SHLR = High; UPDN = Low



SHLR = Low; UPDN = Low



SHLR = High; UPDN = High



SHLR = Low; UPDN = High

6.3 Signal Description

Recommended connector: 089H50-000100-G2-R (STARCONN)

Pin no	Symbol	I/O	Function	Remark
1	NC	-	No connection	
2	NC	-	No connection	
3	NC	-	No connection	
4	NC	-	No connection	
5	GND	P	Power ground	
6	VCOM	P	Common voltage	
7	VDD	P	Digital Power	Note 6
8	MODE	I	DE/SYNC mode select	Note1
9	DE	I	Data Input Enable	
10	VS	I	Vertical sync input	
11	HS	I	Horizontal sync input	
12	B7	I	Blue data(MSB)	
13	B6	I	Blue data	
14	B5	I	Blue data	
15	B4	I	Blue data	
16	B3	I	Blue data	
17	B2	I	Blue data	
18	B1	I	Blue data	
19	B0	I	Blue data(LSB)	
20	G7	I	Green data(MSB)	
21	G6	I	Green data	
22	G5	I	Green data	
23	G4	I	Green data	
24	G3	I	Green data	
25	G2	I	Green data	
26	G1	I	Green data	
27	G0	I	Green data(LSB)	
28	R7	I	Red data(MSB)	
29	R6	I	Red data	
30	R5	I	Red data	
31	R4	I	Red data	
32	R3	I	Red data	
33	R2	I	Red data	

AUO Display+

34	R1	I	Red data	
35	R0	I	Red data(LSB)	
36	GND	P	Power ground	
37	DCLK	I	Clock input, falling latch	
38	GND	P	Power ground	
39	SHLR	I	Left or Right Display Control	Note2
40	UPDN	I	Up / Down Display Control	Note3
41	VGH	P	Positive Power for TFT	
42	VGL	P	Negative Power for TFT	
43	AVDD	P	Analog Power	
44	RESET	I	Global reset pin	Note5
45	NC	-	No connection	
46	VCOM	P	Common Voltage	
47	DITHB	I	Dithering function	Note4
48	GND	P	Power ground	
49	NC	-	No connection	
50	NC	-	No connection	

Note1 : DE/SYNC mode select . Normally pull high.

When MODE = H , DE mode

When MODE = L , SYNC mode

Note2 : Source Driver internal shift register is controlled by this pin as shown below: Normally pull high.

SHLR=H: SO1→ SO2→ SO3→ …→SO1024 (Default)

SHLR=L: SO1024→ SO1023→ SO2→…→SO1

Note3 : Gate Driver Up/down scan setting. Normally pull low.

When UPDN=H, G600→ G599→ …→G1.

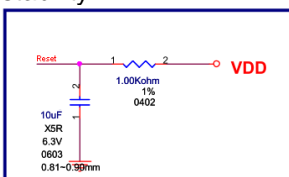
When UPDN=L, G1→ G2→ G3→ …→G600 (Default))

Note4: Dithering function enable control .Normally pull low

When DITHB =H ,Enable internal dithering function

When DITHB =L , Disable internal dithering function .

Note5 : Global reset normally pulled high. Suggest to connecting with an RC (R=1K ohm, C=10uF) reset circuit for stability.



Note 6: It is suggested to connect with bypass capacitors to VDD to reduce inrush current under 500mA(<1ms).

6.4 The Input Data Format

This product displays 16.7M colors in terms of the 256 grey levels on RGB respectively.

Display colors		Data signal (0 : Low level, 1: High level)																							
		R7	R6	R5	R4	R3	R2	R1	R0	G7	G6	G5	G4	G3	G2	G1	G0	B7	B6	B5	B4	B3	B2	B1	B0
Basic colors	Black	0	0	0	0	0	0	0	0	0	0	0	0	0	0	0	0	0	0	0	0	0	0	0	0
	Blue	0	0	0	0	0	0	0	0	0	0	0	0	0	0	0	0	1	1	1	1	1	1	1	1
	Red	1	1	1	1	1	1	1	1	0	0	0	0	0	0	0	0	0	0	0	0	0	0	0	0
	Magenta	1	1	1	1	1	1	1	1	0	0	0	0	0	0	0	0	1	1	1	1	1	1	1	1
	Green	0	0	0	0	0	0	0	0	1	1	1	1	1	1	1	1	0	0	0	0	0	0	0	0
	Cyan	0	0	0	0	0	0	0	0	1	1	1	1	1	1	1	1	1	1	1	1	1	1	1	1
	Yellow	1	1	1	1	1	1	1	1	1	1	1	1	1	1	1	1	0	0	0	0	0	0	0	0
	White	1	1	1	1	1	1	1	1	1	1	1	1	1	1	1	1	1	1	1	1	1	1	1	1
Red grayscale	Black	0	0	0	0	0	0	0	0	0	0	0	0	0	0	0	0	0	0	0	0	0	0	0	0
	Dark	0	0	0	0	0	0	0	1	0	0	0	0	0	0	0	0	0	0	0	0	0	0	0	0
	↑																								
	↓																								
	bright	1	1	1	1	1	1	0	1	0	0	0	0	0	0	0	0	0	0	0	0	0	0	0	0
Red	1	1	1	1	1	1	1	0	0	0	0	0	0	0	0	0	0	0	0	0	0	0	0	0	
Green grayscale	Black	0	0	0	0	0	0	0	0	0	0	0	0	0	0	0	0	0	0	0	0	0	0	0	0
	Dark	0	0	0	0	0	0	0	0	0	0	0	0	0	0	0	1	0	0	0	0	0	0	0	0
	↑																								
	↓																								
	bright	0	0	0	0	0	0	0	0	1	1	1	1	1	1	0	1	0	0	0	0	0	0	0	0
Green	0	0	0	0	0	0	0	0	1	1	1	1	1	1	1	0	0	0	0	0	0	0	0	0	
Blue grayscale	Black	0	0	0	0	0	0	0	0	0	0	0	0	0	0	0	0	0	0	0	0	0	0	0	0
	Dark	0	0	0	0	0	0	0	0	0	0	0	0	0	0	0	0	0	0	0	0	0	0	0	1
	↑																								
	↓																								
	bright	0	0	0	0	0	0	0	0	0	0	0	0	0	0	0	0	1	1	1	1	1	1	0	1
Blue	0	0	0	0	0	0	0	0	0	0	0	0	0	0	0	0	1	1	1	1	1	1	1	0	

6.5 Interface Timing

6.5.1 Timing Characteristics

Item	Symbol	Min	Typ	Max	Unit	Remark
DCLK cycle time	Tcph	14.9			ns	
DCLK pulse duty	Tcwh	40	50	60	%	
Data setup time	Tdsu	6	-	-	ns	
Data hold time	Tdsd	6	-	-	ns	
VSD setup time	Tvst	6	-	-	ns	
VSD hold time	Tvhd	6	-	-	ns	
HSD setup time	Thst	6	-	-	ns	
HSD hold time	Thhd	6	-	-	ns	
DE setup time	Tesu	6	-	-	ns	
DE hold time	Tehd	6	-	-	ns	

(DE Mode)

Signal	Symbol	Min.	Typ.	Max.	Unit	
Clock Frequency	Tdclk	40.8	51.2	57.12	MHz	
Vertical Section	Period	T _V	610	635	680	T _{Line}
	Active	T _{VD}	600	600	600	
	Blanking	T _{VB}	10	35	80	
Horizontal Section	Period	T _H	1114	1344	1400	T _{dclk}
	Active	T _{HD}	1024	1024	1024	
	Blanking	T _{HB}	90	320	376	

(HV mode)

Signal	Symbol	Min.	Typ.	Max.	Unit	Remark
Clock Frequency	Tdclk	44.9	51.2	57.12	MHz	
Horizontal Display Area	Thd	1024			T _{dclk}	
HSYNC period	Th	1200	1344	1400	T _{dclk}	Thw + The = 160 T _{dclk} is fixed
HYSNC Pulse Width	Thw	1	-	140		
HSYNC blanking	The	20	-	159		
HYNC front proch	Thf	16	160	216		
Signal	Symbol	Min.	Typ.	Max.	Unit	Remark
Vertical Display Area	Tvd	600			HSYNC	
VSYNC period	Tv	624	635	680	HSYNC	Tvw + Tve = 23 H is fixed
VSYNC Pulse Width	Tvw	1	-	20		
VSYNC blanking	Tve	3	-	22		
VYNC front proch	Tvf	1	12	57		

Remark: Frame frequency 为60Hz

6.5.2 Input Timing Diagram

a. Clock and Data Timing of Input :

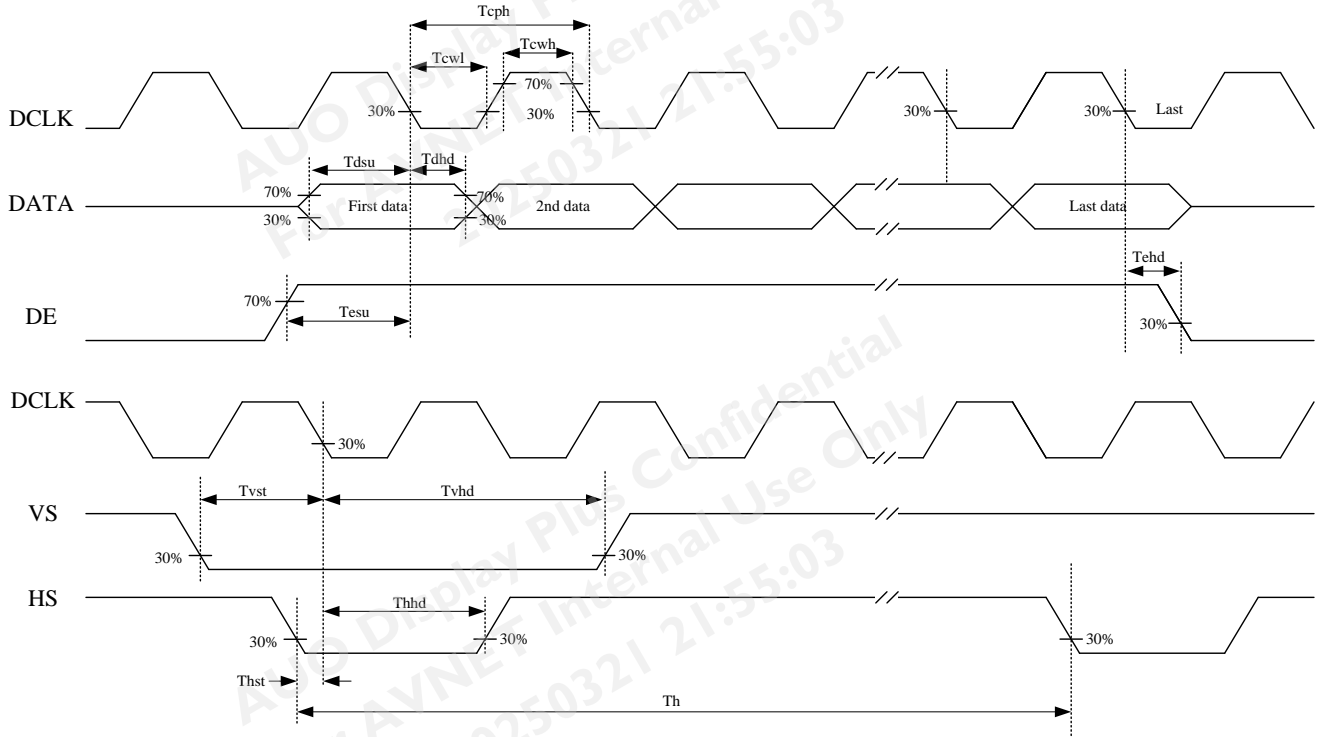
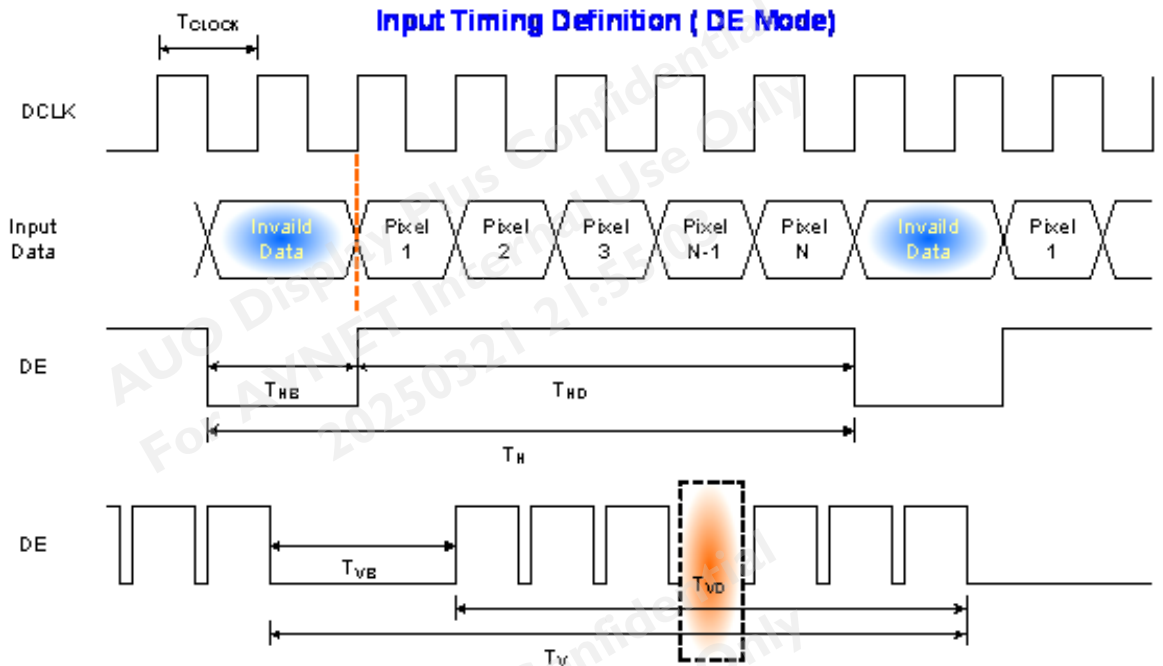


Fig. 6-6

b. Vertical Timing of Input (DE Mode)



AUO Display+

c. Vertical Timing of Input (HV Mode)

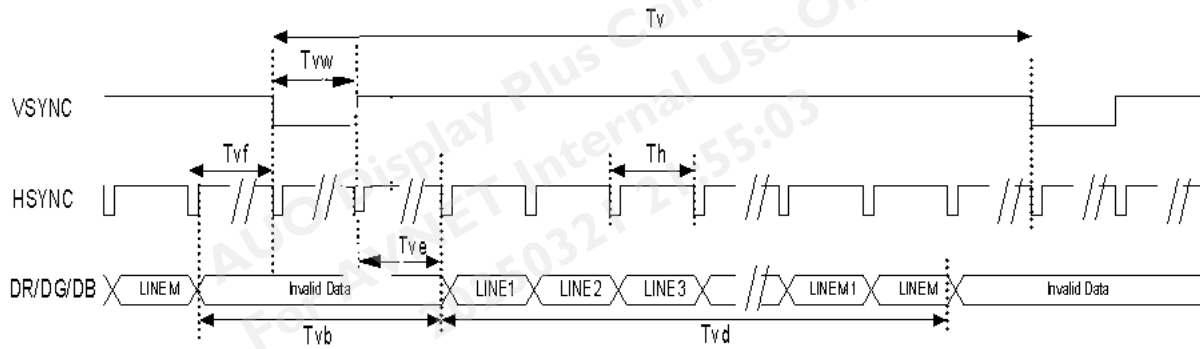
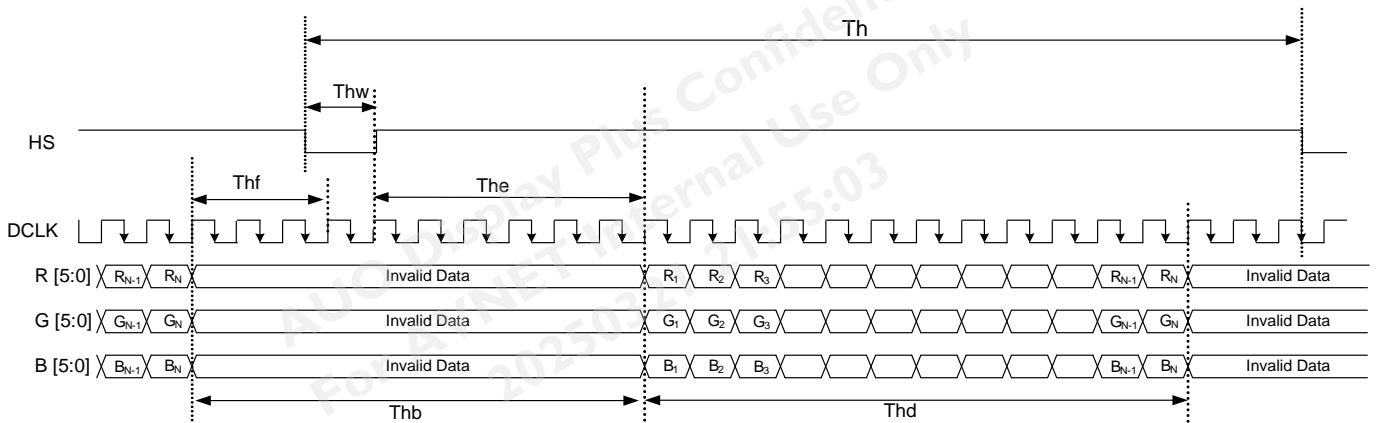


Fig. 6-8

d. Horizontal Timing of Input (HV Mode)

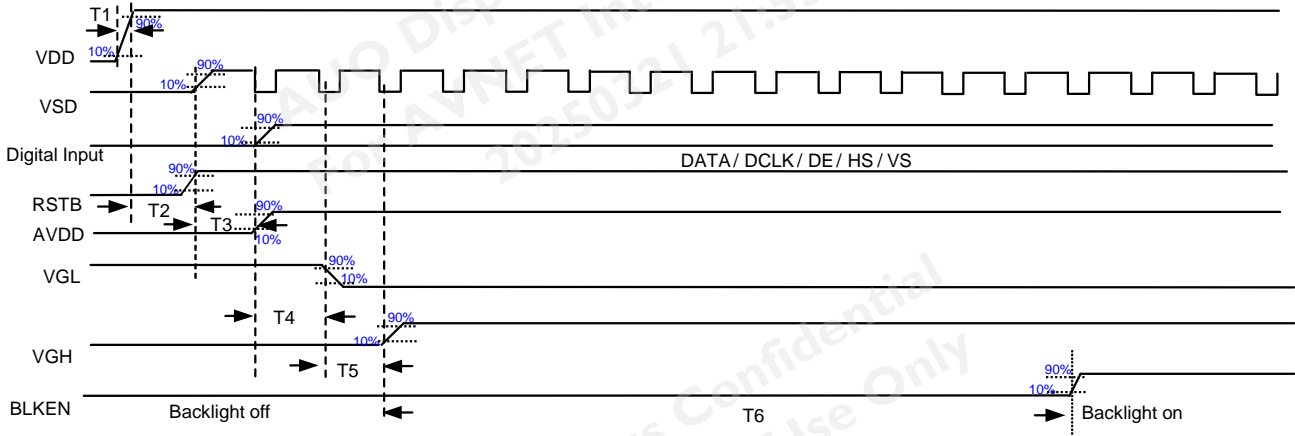


AUO Display+

6.6 Power ON/OFF Sequence

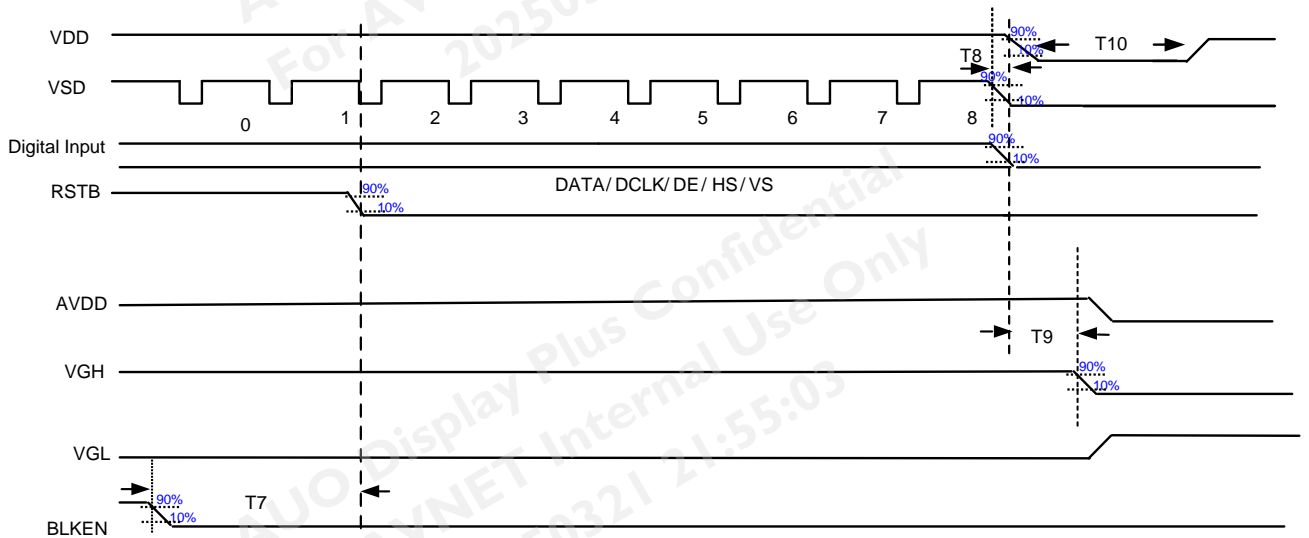
Power on sequence:

VDD -> RSTB -> Digital input (Data/DCLK/DE/HS/VS) -> AVDD -> VGL -> VGH -> BLKEN



Power-off sequence:

BLKEN -> RSTB-> VDD & Digital input (Data/DCLK/DE/HS/VS) -> Power (VGH/AVDD/VGL)



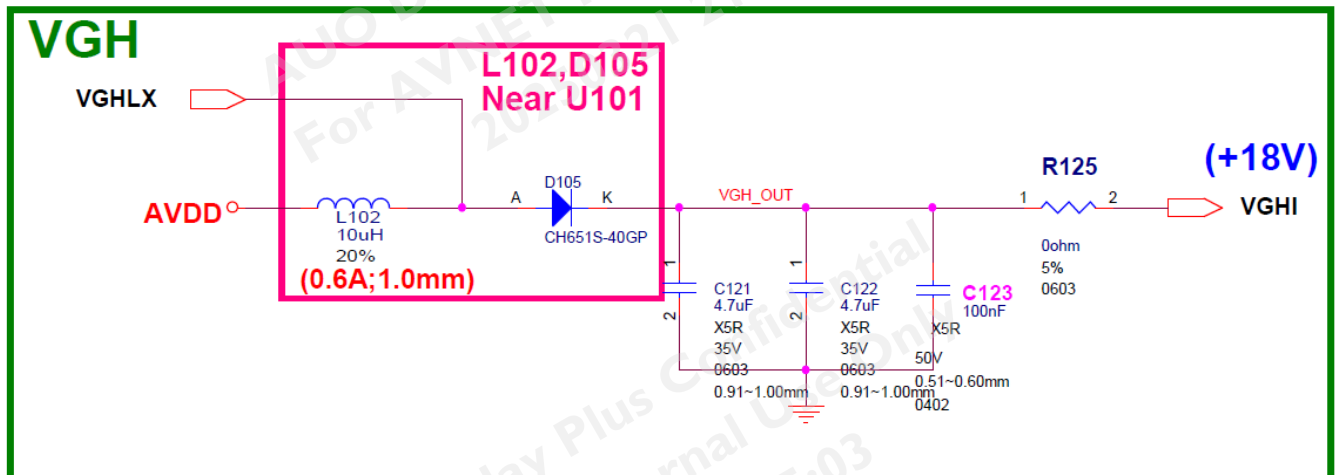
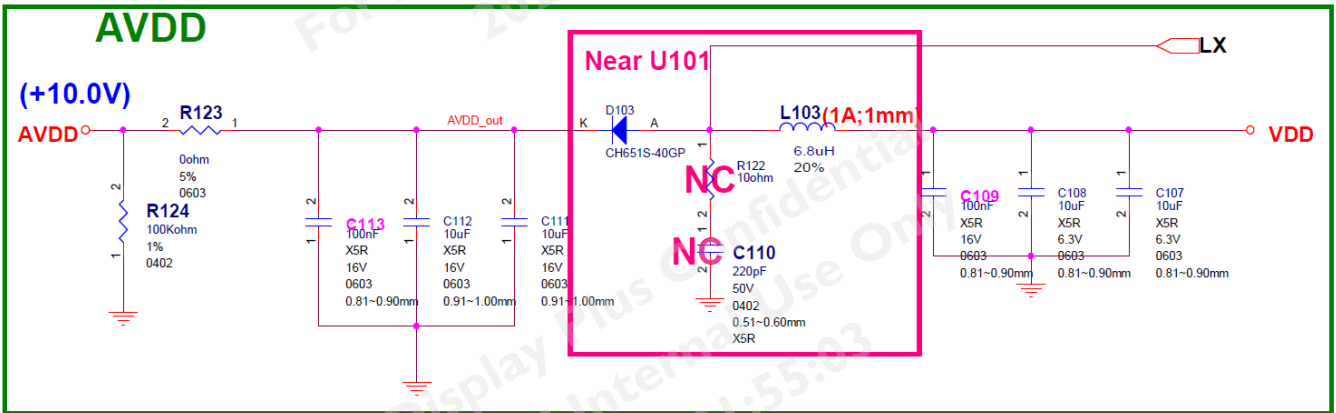
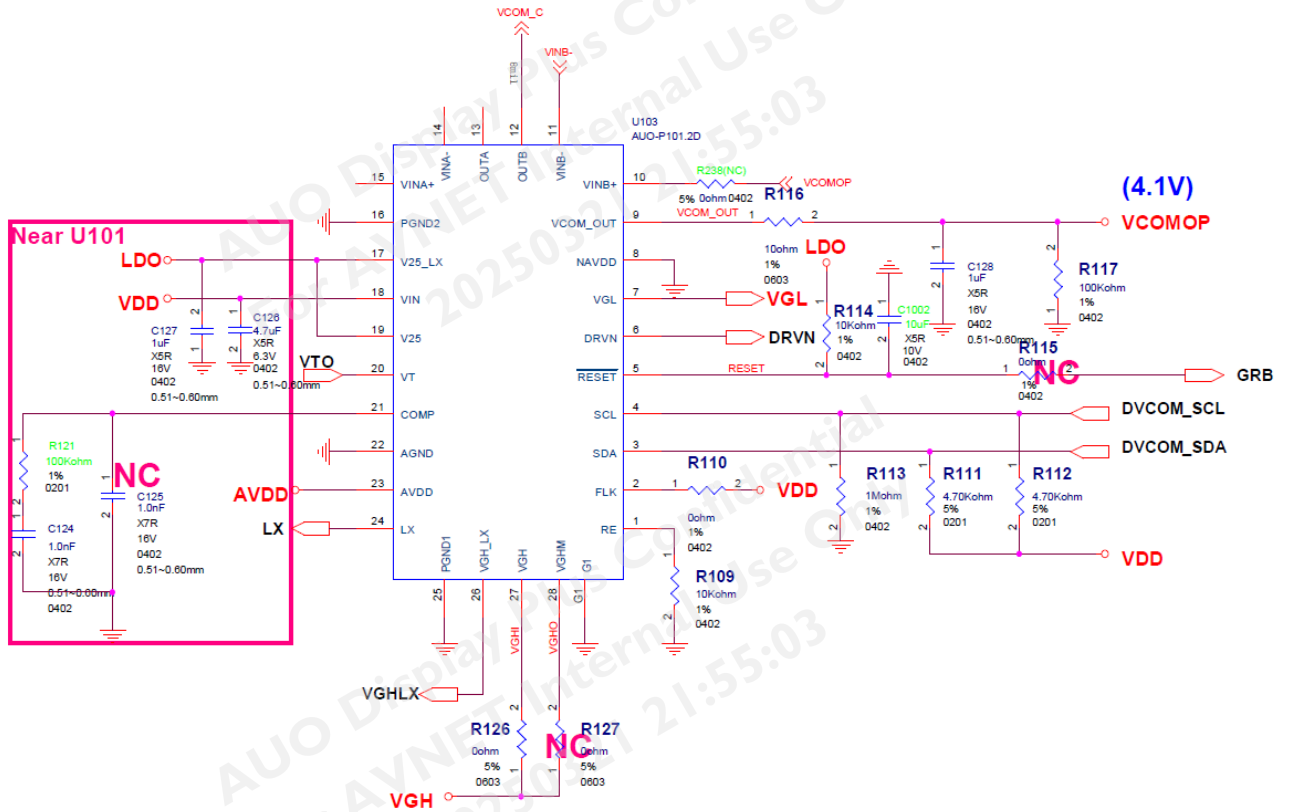
Parameter	Value			Units
	Min.	Typ.	Max	
T1	0.5		20	
T2	50	-	1000	us
T3	16	-	20	ms
T4	16	-	20	ms
T5	16	-	20	ms
T6	100	-	-	ms
T7	20	-	-	ms
T8	0	-	20	ms
T9	5	-	-	ms
T10	1000	-	-	ms

IC Model information:

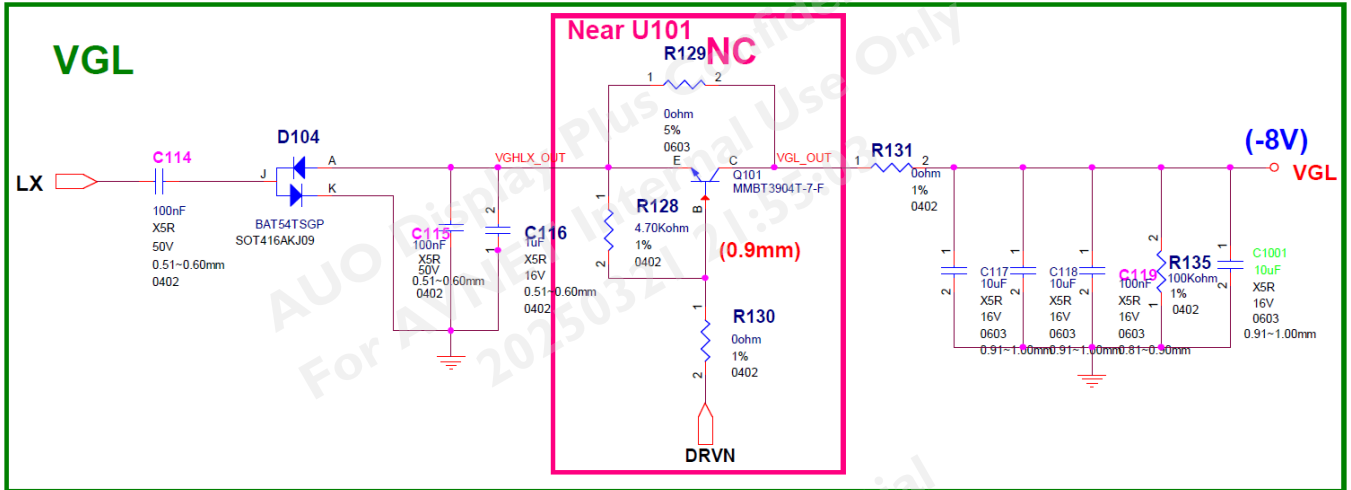
IC Type	Model Name
Source IC	Raydium RM55100
Gate IC	Raydium RM59002

AUO Display+

7. Typical Application Circuit



AUO Display+



AUO Display Plus Confidential
For AVNET Internal Use Only
20250321 21:55:03

AUO Display+

8. Connector & Pin Assignment

Physical interface is described as for the connector on module. These connectors are capable of accommodating the following signals and will be following components.

8.1 TFT LCD Module: Back light Connector

Connector Name / Designation	Signal Connector
Manufacturer	ZHEJIANG LIANHE or compatible
Connector Model Number	A1251-H02 or compatible
Adaptable Plug	A1251-SR02 or 3802K-E02N-01R or compatible

Pin No.	Symbol	Description	Color
1	H	LED anode	Red
2	L	LED cathode	Black

LED Information:

LED Vendor	LED Type
JUFEI	01. JB.CC4014W65P02

9. Reliability Test Criteria

Items	Required Condition	Note
Temperature Humidity Bias	40 °C /90%,300Hr	
High Temperature Operation	60 °C, 300Hr	
Low Temperature Operation	-10 °C, 300Hr	
Hot Storage	70 °C, 300 hours	
Cold Storage	-30 °C, 300 hours	
ESD	Contact Discharge = ± 8 kV, class B (R=330,C=150pF) Air Discharge = ± 15 kV, class B (R=330,C=150pF) 1sec, 9 points, 25 times/point	Note1
Thermal Shock Test	-30 °C /30 min ,70 °C /30 min ,100cycles	
Shock Test (Non-Operating)	50G,20ms,Half-sine wave,(+-X,+-Y,+-Z)	
Vibration Test (Non-Operating)	1.5G, 10~200~10Hz, Sine wave 30mins/axis, 3 direction (X, Y, Z)	

Note 1: According to EN61000-4-2 , ESD class B: Some performance degradation allowed. No data lost . Self-recoverable. No hardware failures.

Note 2: After reliability test, it is no function defect and occurrence of any new defective shall not be allowed.

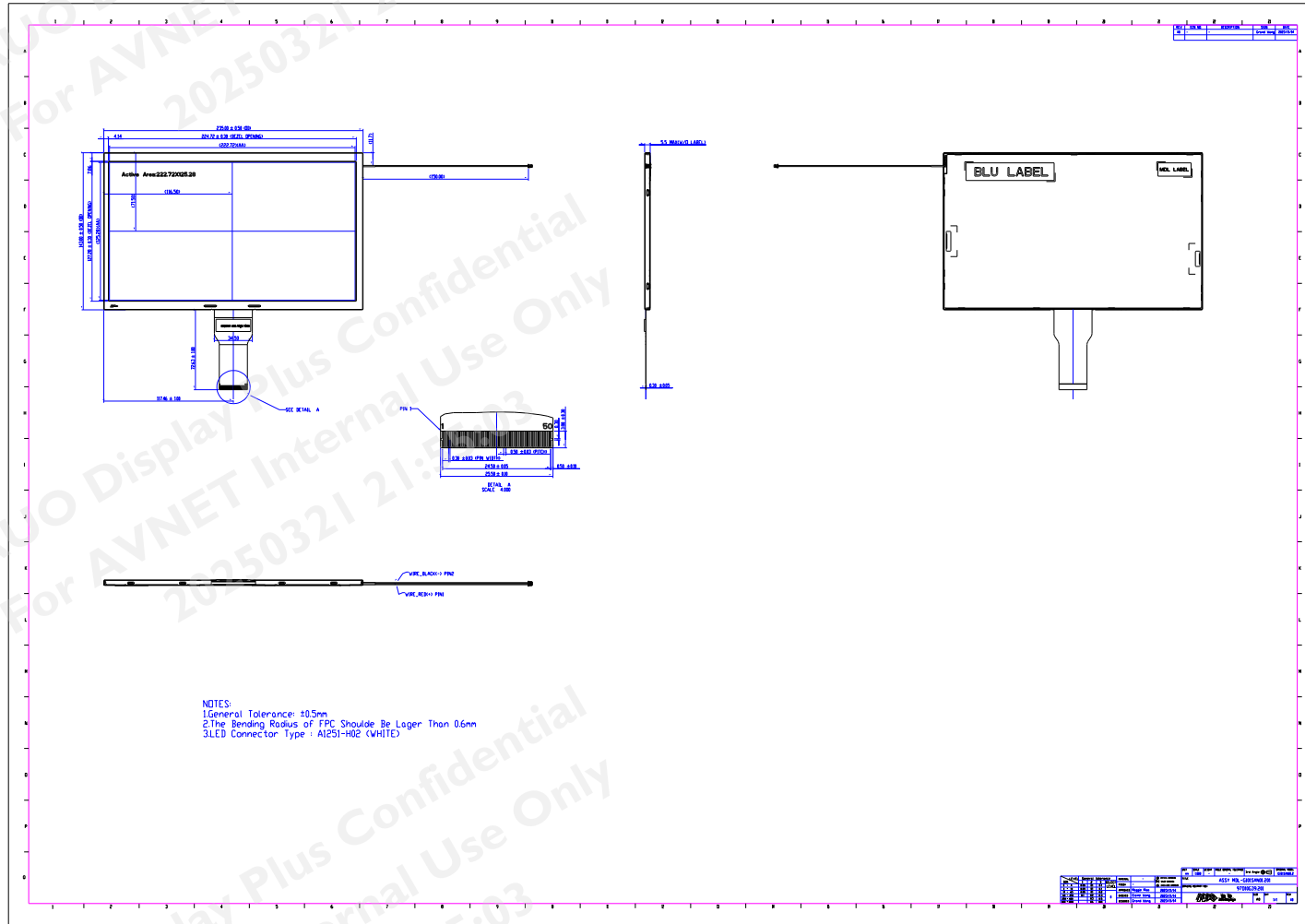
Note 3:

- Water condensation is not allowed for each test items.
- Each test is done by new TFT-LCD module. Don't use the same TFT-LCD module repeatedly for reliability test.
- The reliability test is performed only to examine the TFT-LCD module capability.
- To inspect TFT-LCD module after reliability test, please store it at room temperature and room humidity for 24 hours at least in advance.

AUO Display+

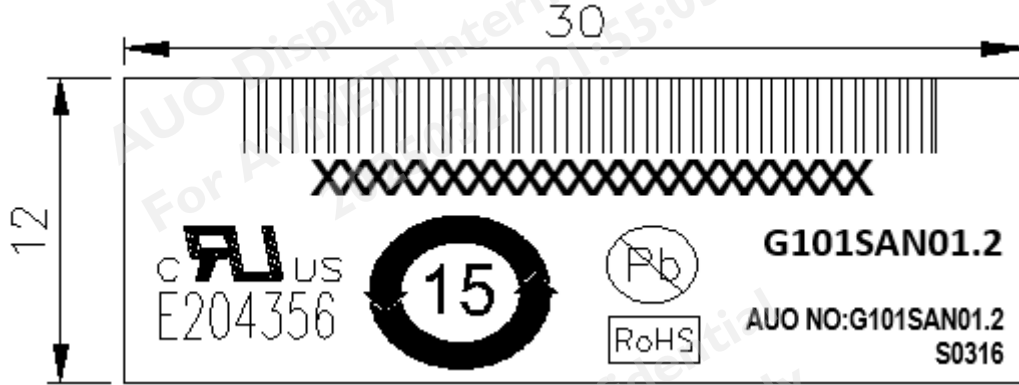
10. Mechanical Characteristics

10.1 LCM Outline Dimension



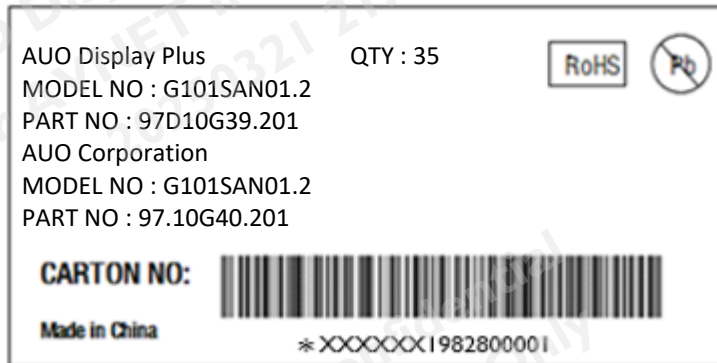
11. Label and Packaging

11.1 Shipping Label (on the rear side of TFT-LCD display)

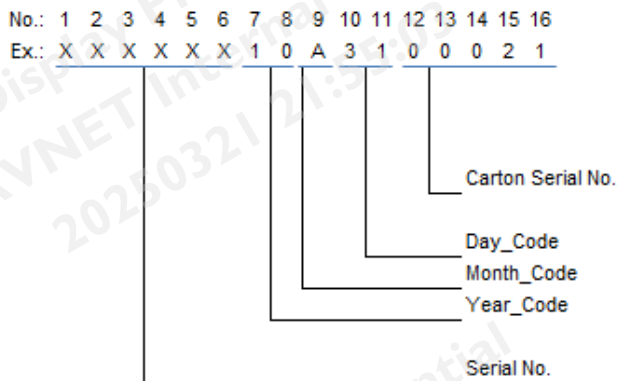


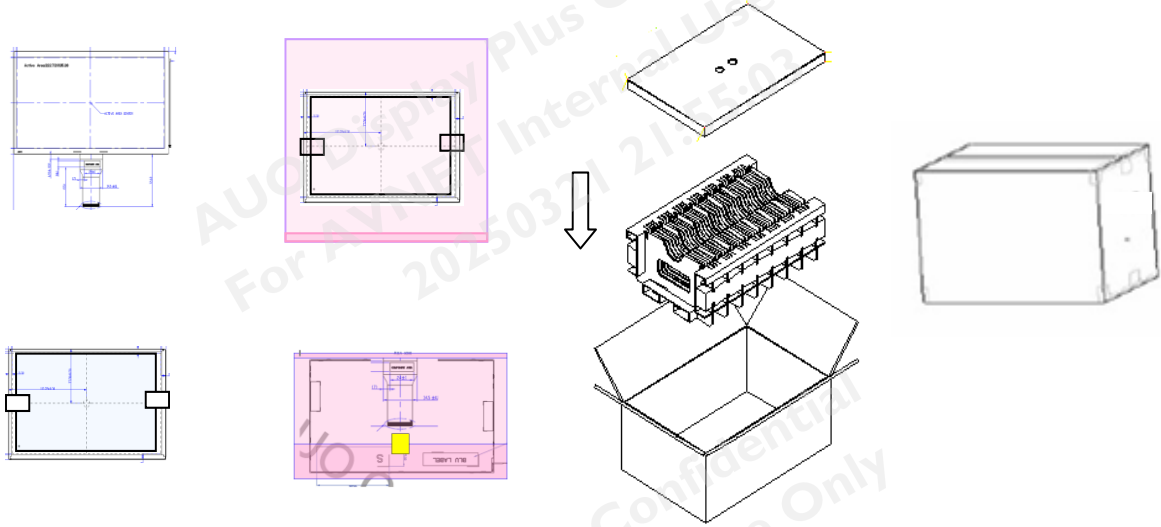
11.2 Carton Package

Carton Label Format:



Carton number description:





Max capacity : 35pcs TFT-LCD module per carton
Max weight: 9.9 kg per carton
Outside dimension of carton: 527*347*257mm
Pallet size : 1070mm*1070mm*135mm

AUO Display+

12. Safety

12.1 Sharp Edge Requirements

There will be no sharp edges or comers on the display assembly that could cause injury.

12.2 Materials

12.2.1 Toxicity

There will be no carcinogenic materials used anywhere in the display module. If toxic materials are used, they will be reviewed and approved by the responsible AUO toxicologist.

Not using the following parts: Tantalum electrolytic, quaternary salt aluminum electrolytic, film, big size (over $\phi 10\text{mm}$, 1000uF) capacitor. Bifilar winding Coil that enamel coating is exposed. Parts don't contain red phosphorus.

12.2.2 Flammability

All components including electrical components that do not meet the flammability grade UL94-V1 in the module will complete the flammability rating exception approval process.

The printed circuit board will be made from material rated 94-V1 or better. The actual UL flammability rating will be printed on the printed circuit board.

Part name	supplier	Part no.	Location	Material	Flammability	UL type	UL file no.	Product Category (CCN)	Solder Limits		Actual Temperature used
									°C	sec	°C
FPCA	Kinwong	54.20034.004 (KW-23302F)	FPCA	FCCL+CVL	94V-0	CP-F29	E252774	ZPKX2	288	10	105

12.2.3 Policy about chemical substances

In accordance with SEIKO EPSON Group's requirements specified by the latest "Green Purchasing Standard for Production Materials" which mutually agreed (AUO FAE approved), all production materials shall conform to SEIKO Epson's policy about chemical substances already banned or to be eliminated and shall be controlled by "4M Variation Management"

12.3 Capacitors

If any polarized capacitors are used in the display assembly, provisions will be made to keep them from being inserted backwards.

12.4 National Test Lab Requirement

The display module will satisfy all requirements for compliance to:

UL 60950-1 second edition

U.S.A. Information Technology Equipment